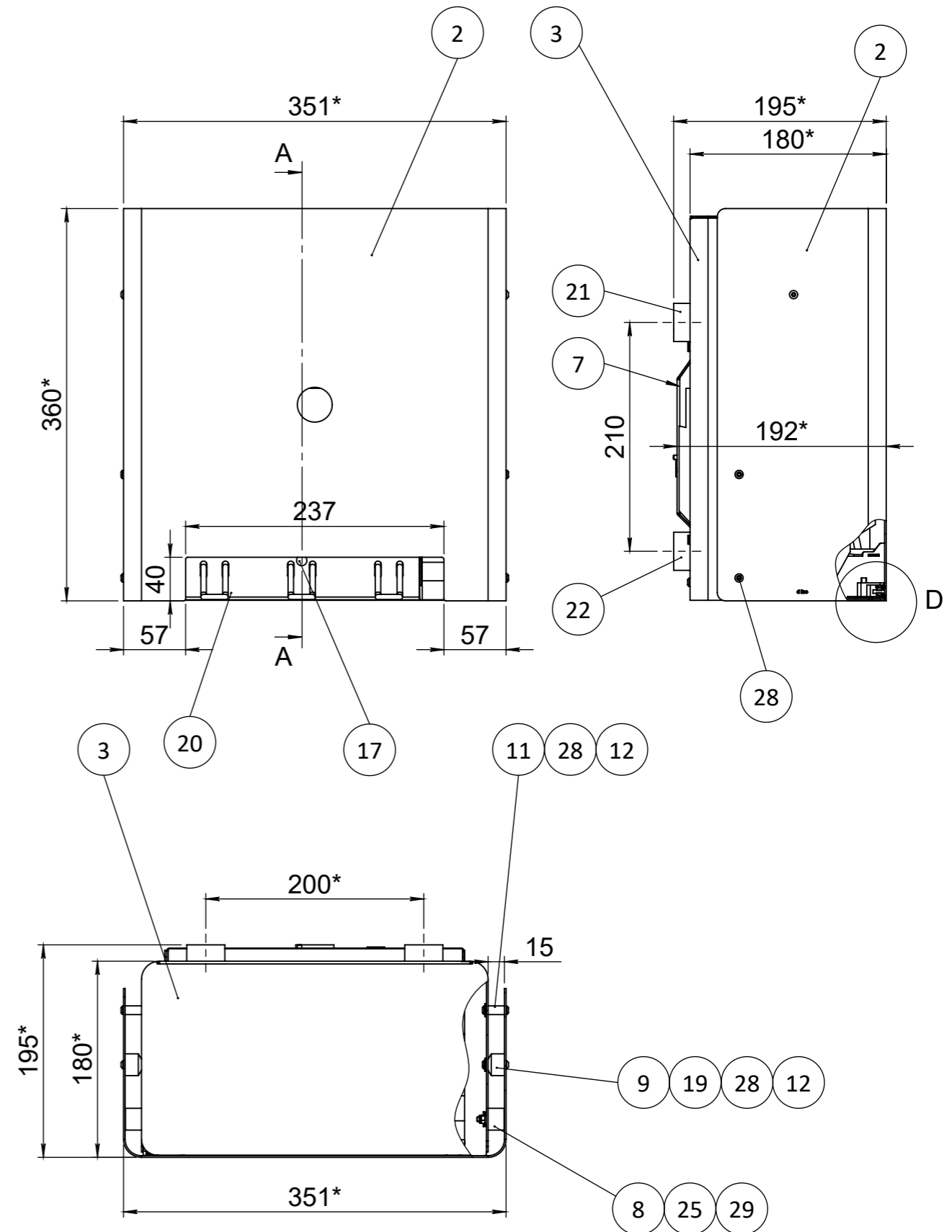


Nom.	Part number	Description 1	Description 2	Qty.
1	A4.7081.00.000	Drive mod, sensor XTS102073 f/ paper roll dispenser	f/ 14.7081.02.200	1
2	D 7579	Front cover	f/ 14.7081.02.000	1
3	D 7580	Back cover	f/ 14.7081.02.000	1
4	D 7587	Switch spacer, POM	f/ 14.7081.02.000	1
5	D 7588	Switching plate	f/ 14.7081.02.000	1
6	D 7543	Lock edge	f/ 14.7081.02.200	1
7	D 7545	Back lid	f/ 14.7081.02.200	1
8	D 7556	Lower spacer, POM	f/ 14.7081.02.200	2
9	D 7557	Upper spacer, POM	f/ 14.7081.02.200	2
10	D 7558	Grip	f/ 14.7081.02.200	1
11	D 7559	Threaded spacer, L15	f/ 14.7081.02.200	4
12	D 7560	Washer DIN9021- 4.3, A4	Large	14
13	D 7561	Screw M3 x 8, ISO 7380, A4	Hexagon socket head screw	1
14	D 7562	Wing screw M4 x 10, DIN 316, A4		1
15	D 7563	Cable bushing PGSA-1013A	Nylon 6/6, black	1
16	D 7564	Washer DIN9021- 3.2, A4	Large	1
17	D 7565	Dummy covering PGM-8	Nylon 6/6, black	1
18	D 7566	Lock	-	1
19	D 7567	Screw M4 x 12, ISO 7380, A4	Hexagon socket head screw	2
20	D 7581	Bottom cover, glass blasted	f/ 14.7081.02.000	1
21	D 791	Afstandsstykke til sanitet væg	hængt	2
22	D 806	Afstandsstykke med tape		1
23	D 1744	Threaded peace		2
24	D 7017	welding screw, M4x10	ISO 13918	3
25	D 7032	M4 nylon lock nut A4	DIN 985	5
26	D 7065	Press in bolts M4		5
27	D 7106	Welding screw M3 x 5 x 8mm		1
28	14.9701.02.187	Head cap screw M4 x 6 mm		16
29	9449000019	Maskinskrue M4 x 25 mm		2

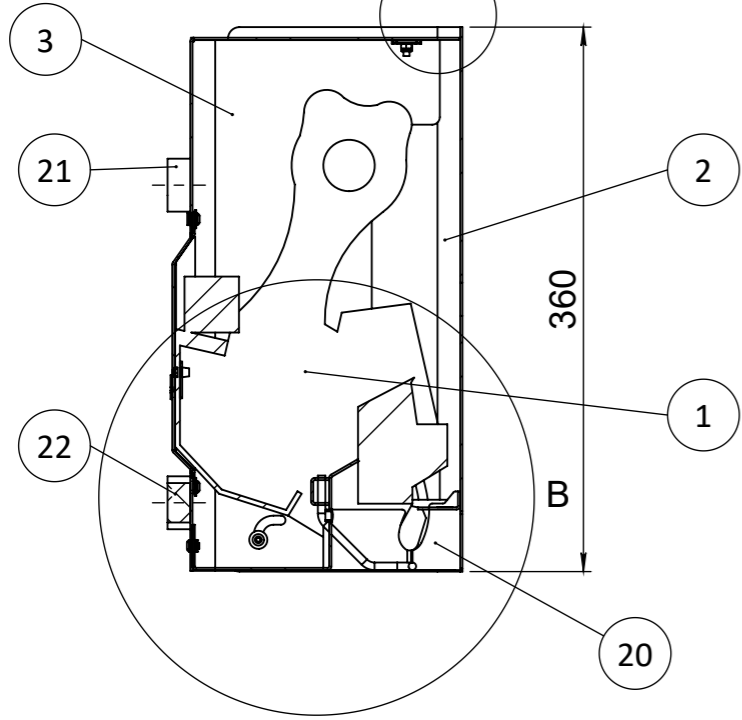


1. * Information dimension.

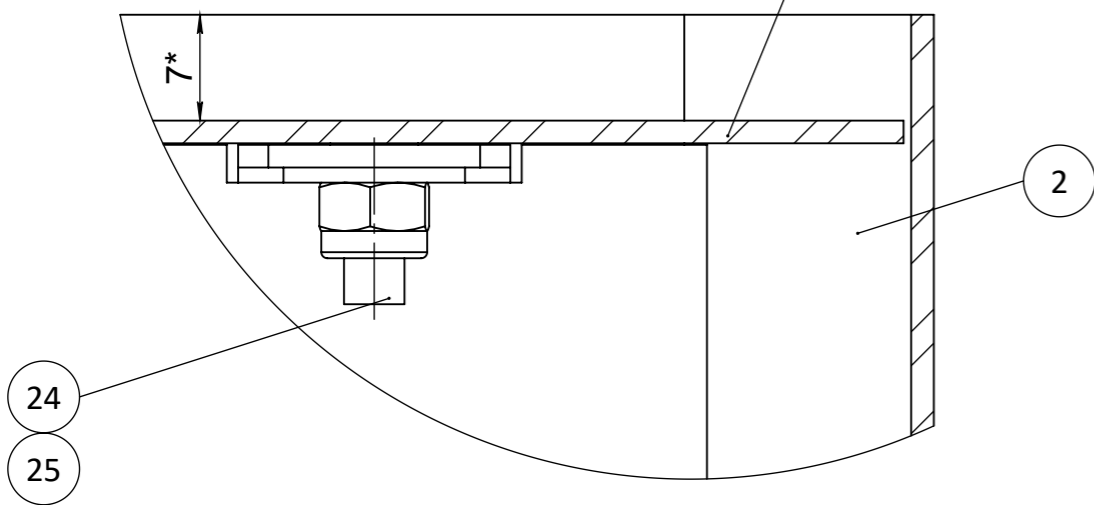
Subject: Paper roll dispenser Touchless		Mass: 8111.00 g	Scale: 1:5
Category: Sanitary		Material:	
Sign: TVA	Latest release: TVA	Drawing no.: 14.7081.02.000	
Date: 2017-03-29	Release date: 2017-08-29	REV. A	
Dimension without tolerance, follows DS/ISO 2768-mK. This drawing is the property of d line a/s, and is not to be copied or shown to third parties.			

B (2 : 3)

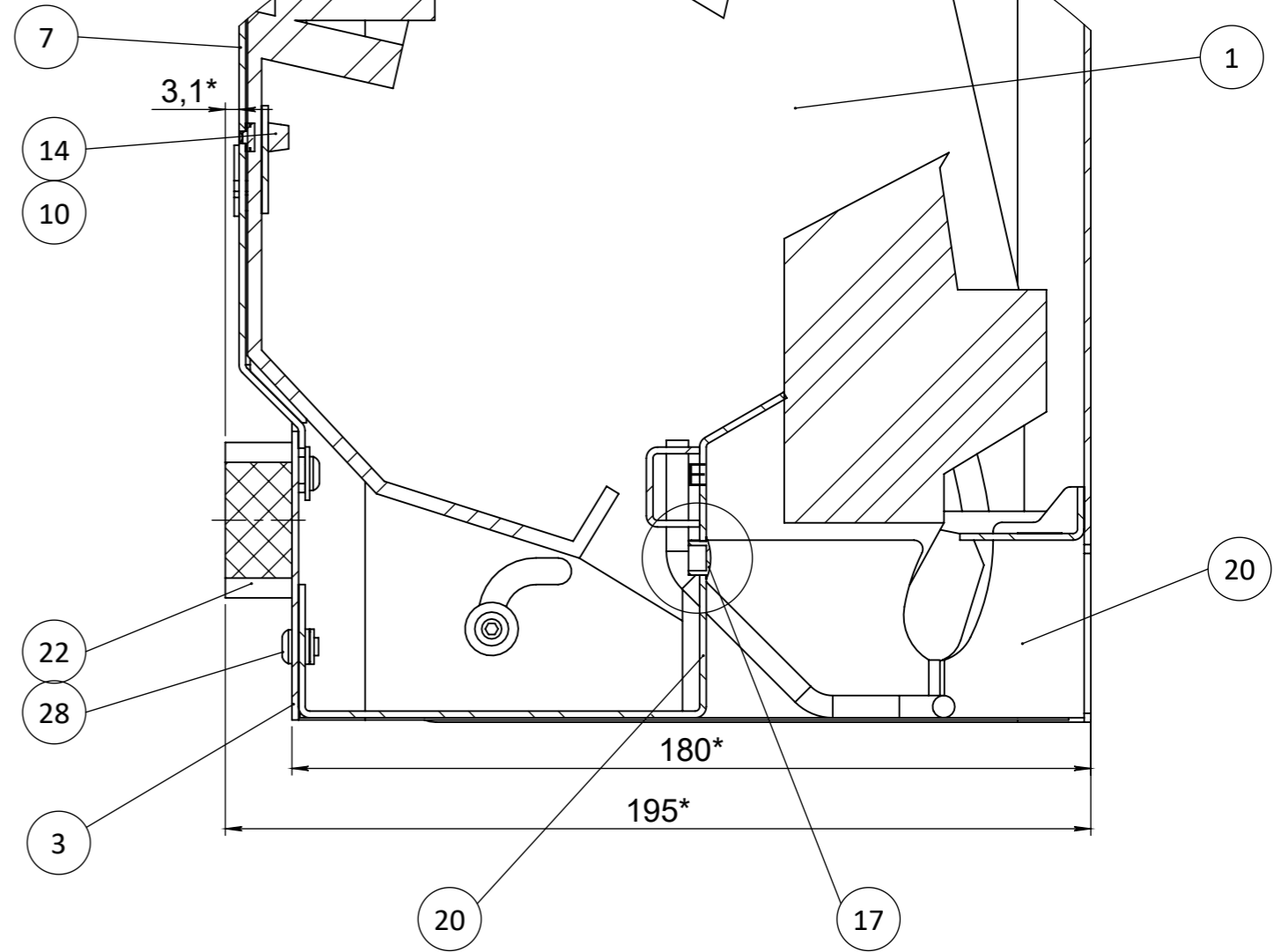
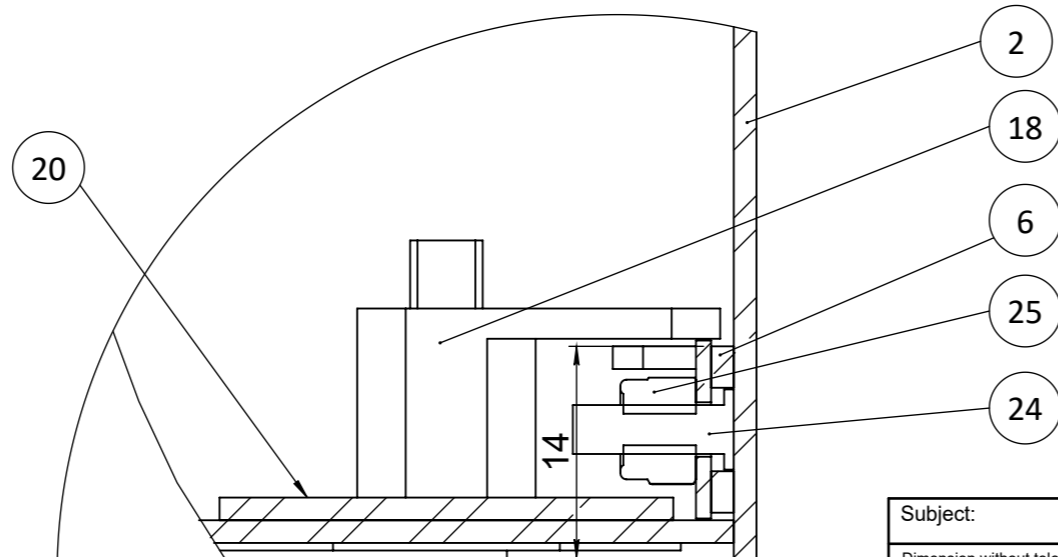
A-A C



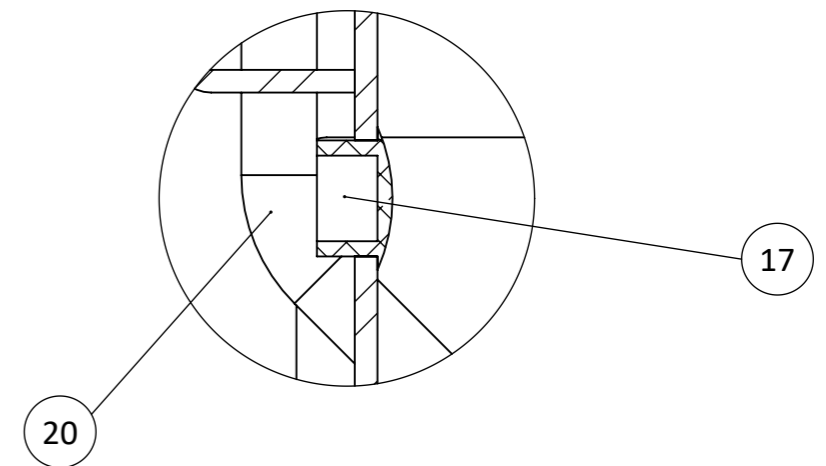
C (2 : 1)



D (2 : 1)



E (2 : 1)



Subject:

Dimension without tolerance, follows DS/ISO 2768-mK.
This drawing is the property of d line a/s, and is not to be copied or shown to third parties.

Drawing no.:

14.7081.02.000

SHEET 2 OF 2

d line