

Liquid soap dispenser, touchless

Knud Holscher Collection

d line

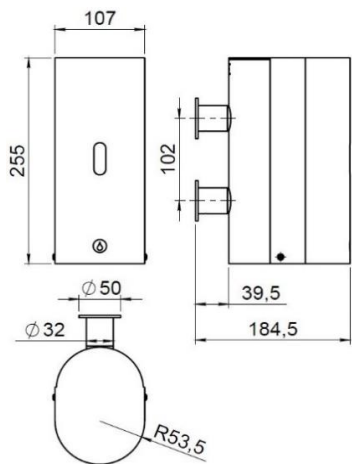
PRODUCT DATA SHEET

ITEM NUMBER SURFACE
14.7046.02.000 Satin Stainless Steel

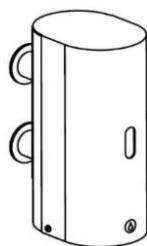
PICTURE



DRAWING



ISO-DRAWING



PRODUCT

Liquid soap dispenser, touchless

TENDER TEXT

Touchless soap dispenser. Outstanding classic danish design by Knud Holscher. Material: 1,5 mm stainless steel AISI 316 satin finish. Capacity 800ml. Battery operated. Concealed fixing. Net weight: 2,8 kg. W:107 mm x H:255 mm x D:185 mm

PRODUCT SPECIFICATION

Dimensions: W:107 mm x H:255 mm x D:185 mm

Capacity: 800 ml

Material: 1,5 mm stainless steel AISI 316

Satin grain 320, crafted by hand

Dispenses liquid soap ①

Dispensing volume (viscosity) -1 ml,-800 doses (1-3000 MPas).

Room temperature 5-40°C.

Battery alkaline (1,5V) AA size, qty 4(included) or AC adaptor.

Battery life estimated -40,000 cycles (depends on alkaline battery type).

Mechanism life estimated -500,000 cycles

Operation mode automatic from sensor trigger

Locking mechanism with key

At least 200 mm space below is required

Warranty for mechanism - 2 years

Warranty for stainless steel (non movable) parts - 20 years

SPARE PARTS / ACCESSORIES:

P 42 - Accessories for wall mounting (included)

P 602 - Ø6x70/plug 10x50,set a' 2 pcs (included)

D 7625 - Battery AA, Alkaline 4pcs. (included)

14983400474 - Drill template: dispenser (included)

14983070454 - Manual (included)

14710000005 - Spare key (1 pcs included)

14704600330 - Cream soap, 5kg (not included)

D 7589 - RSD tank with lid (round) (spare part not included)

D 7591 - Silicon tube (spare part not included)

MOUNTING:

Ø6 x 70 mm screws and Ø10 x 50 mm pluggs.

PACKING:

1 pcs. per package

① Important:

The compatibility of filling material and dispenser system must be checked prior to the use of new filling materials, in order to be able to guarantee fault-free functionality. d line assumes no liability for any damages or costs which arise due to the incompatibility of filling material and dispenser systems.

CERTIFICATES & AWARDS



PRODUCT CARE

d line products are produced in the highest quality stainless steel, marine grade, AISI 316. To sustain the unique d line finish appearance please follow the below instructions:

- Wash down the surfaces using soapy water or mild detergent
- Always thoroughly rinse off with clean water
- To complete the cleaning procedure dry/polish the surfaces with a soft dry cloth

Please do not use scouring powder, steel wool, chloride based detergents or other aggressive cleaning products as these may damage the surface.

If spots or corrosion appear on the surface it is not due to the stainless steel quality, but to impurities in the environment, aggressive conditions or improper or insufficient cleaning.