

Coat Hook, Ø14x36mm, with pin

Knud Holscher Collection

d line

PRODUCT DATA SHEET

| ITEM NUMBER | SURFACE |
|----------------|--------------------------|
| 14.5605.02.002 | Satin Stainless Steel |
| 16.5605.01.009 | Polished stainless steel |

PRODUCT
Coat Hook, Ø14x36mm, with pin

PICTURE



TENDER TEXT

Coat Hook. Outstanding classic danish design by Knud Holscher. Material: stainless steel AISI 316 satin finish, with pin, with concealed fixing. Radius: Ø14. W:30 mm x H:28 mm x D:36 mm.

PRODUCT SPECIFICATION

Dimensions: W:30 mm x H:28 mm x D:36 mm.

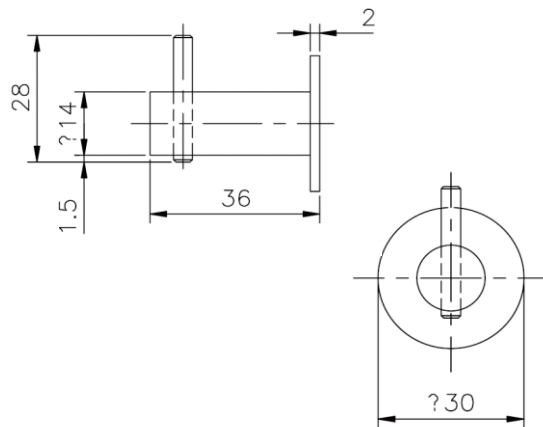
Radius:Ø14

Material: stainless steel AISI 316

Surface finish: satin grain 320, crafted by hand

Warranty for stainless steel (non movable) parts - 20 years

DRAWING



SPARE PARTS / ACCESSORIES:

| | |
|----------------|-----------------------------------|
| P0.0000.00.451 | Screw and plug set. |
| 14.4953.02.009 | Rose & bush with turnstop ø30x2mm |
| 16.4953.01.005 | Rose & bush with turnstop ø30x2mm |
| 14.9701.00.052 | Grub screw M4x3mm |

MOUNTING:

See instruction supplied with product.

PACKING:

1 pcs. in a bag, 25 pcs. per box i

ISO-DRAWING

PRODUCT CARE

d line products are produced in the highest quality stainless steel, marine grade, AISI 316. To sustain the unique d line finish appearance please follow the below instructions:

- Wash down the surfaces using soapy water or mild detergent
- Always thoroughly rinse off with clean water
- To complete the cleaning procedure dry/polish the surfaces with a soft dry cloth

Please do not use scouring powder, steel wool, chloride based detergents or other aggressive cleaning products as these may damage the surface.

If spots or corrosion appear on the surface it is not due to the stainless steel quality, but to impurities in the environment, aggressive conditions or improper or insufficient cleaning.