

# Toilet indicator, 5V90

Bjarke Ingels Group Collection

d line

## PRODUCT DATA SHEET

ITEM NUMBER	SURFACE
12.8005.02.002	Satin Stainless Steel
12.8005.R9.002	Matt white RAL 9003
12.8005.R8.002	Matt black RAL 9005

## PICTURE



## PRODUCT

Thumb turn by BIG., snap-on-cover, 5x5, cc 38/27 mm, 38-44 mm

## TENDER TEXT

Thumb turn by Bjarke Ingels Group. Pebble is a series of bathroom accessories and a matching lever handle by Bjarke Ingels Group. This playful series is inspired by a pill's futuristic, balancing elliptical shape that leads the mind to sci-fi scenography of another world. Material: stainless steel AISI 304 satin finish, with snap-on-cover, 5x5, cc 38/27 mm, 38-44 mm. W:60 mm x H:60 mm x D:34 mm.

## PRODUCT SPECIFICATION

Dimensions: W:60 mm x H:60 mm x D:34 mm.

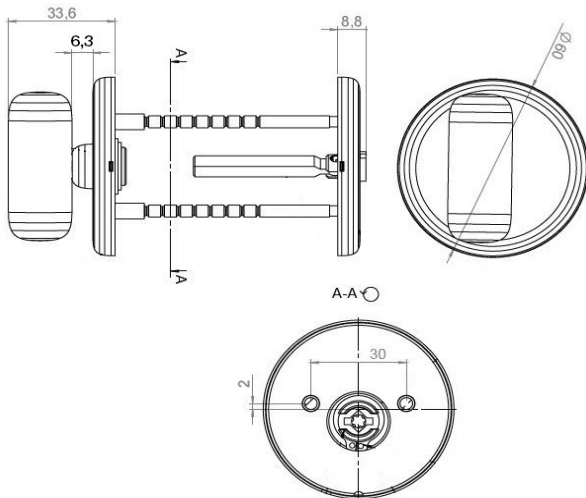
Material: stainless steel AISI 304

Surface finish: satin grain 320, crafted by hand

Spindel: 5x5

Warranty for stainless steel (non movable ) parts - 20 years

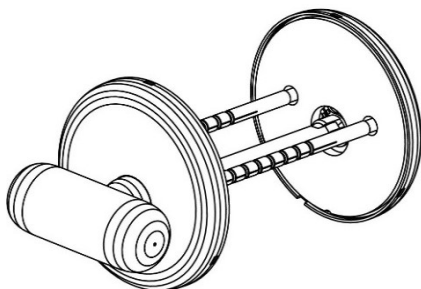
## DRAWING



## SPARE PARTS / ACCESSORIES:

P 80 Sectioned bolt M4 x 110 mm

## ISO-DRAWING



## MOUNTING:

See instruction supplied with product.

## PACKING:

15 set. per box

## PRODUCT CARE

To sustain the unique d line finish appearance please follow the below instructions:

- Wash down the surfaces using soapy water or mild detergent
- Always thoroughly rinse off with clean water
- To complete the cleaning procedure dry/polish the surfaces with a soft dry cloth

Please do not use scouring powder, steel wool, chloride based detergents or other aggressive cleaning products as these may damage the surface.

If spots or corrosion appear on the surface it is not due to the stainless steel quality, but to impurities in the environment, aggressive conditions or improper or insufficient cleaning.

# WC lock 60mm 78/8 Square

Knud Holscher Collection

d line

## PRODUCT DATA SHEET

ITEM NUMBER	SURFACE
14.9213.02.600	Satin Stainless Steel
16.9213.01.600	Polished stainless steel
15.9213.01.600	Polished brass

### PICTURE



### PRODUCT

WC lock 60mm 78/8 square, strong spring+strike plate

### TENDER TEXT

WC lock. Outstanding classic danish design by Knud Holscher. Material: stainless steel AISI 316 satin finish, 60mm, 60mm 78/8 square, strong spring+strike plate. W:24 mm x H:235 mm x D:88 mm.

### PRODUCT SPECIFICATION

Dimensions: W:24 mm x H:235 mm x D:88 mm.

Backset: 60 mm.

Centers: 78 mm.

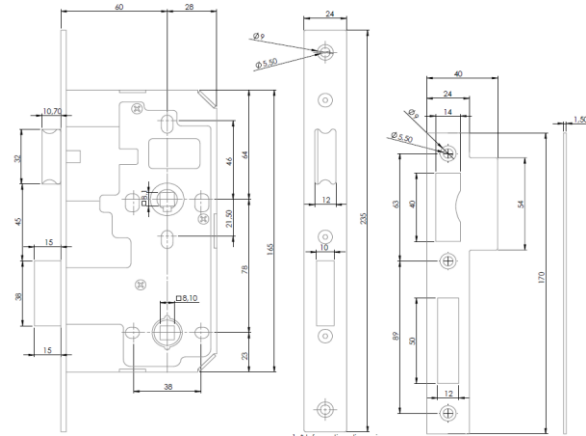
Suitable for sprung and most unsprung lever furniture

Material: stainless steel AISI 316

Surface finish: satin grain 320, crafted by hand

Warranty for stainless steel (non movable ) parts - 20 years

### DRAWING



### SPARE PARTS / ACCESSORIES:

#### MOUNTING:

See instruction supplied with the product

#### PACKING:

1pcs per box

### ISO-DRAWING

### CERTIFICATES & AWARDS

CE marked, Certifre certificate

### PRODUCT CARE

d line products are produced in the highest quality stainless steel, marine grade, AISI 316. To sustain the unique d line finish appearance please follow the below instructions:

- Wash down the surfaces using soapy water or mild detergent
- Always thoroughly rinse off with clean water
- To complete the cleaning procedure dry/polish the surfaces with a soft dry cloth

Please do not use scouring powder, steel wool, chloride based detergents or other aggressive cleaning products as these may damage the surface.

If spots or corrosion appear on the surface it is not due to the stainless steel quality, but to impurities in the environment, aggressive conditions or improper or insufficient cleaning.

# WC lock 60mm 78/8 Round

Knud Holscher Collection

d line

## PRODUCT DATA SHEET

ITEM NUMBER	SURFACE
14.9212.02.600	Satin Stainless Steel
16.9212.01.600	Polished stainless steel
15.9212.01.600	Polished brass

### PICTURE



### PRODUCT

WC lock 60mm 78/8 round, strong spring+strike plate

### TENDER TEXT

WC lock. Outstanding classic danish design by Knud Holscher. Material: stainless steel AISI 316 satin finish, 60mm, 60mm 78/8 Round, strong spring+strike plate. W:24 mm x H:235 mm x D:88 mm.

### PRODUCT SPECIFICATION

Dimensions: W:24 mm x H:235 mm x D:88 mm.

Backset: 60 mm.

Centers: 78 mm.

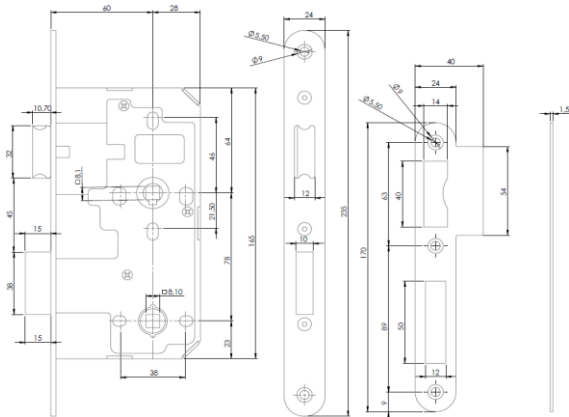
Suitable for sprung and most unsprung lever furniture

Material: stainless steel AISI 316

Surface finish: satin grain 320, crafted by hand

Warranty for stainless steel (non movable ) parts - 20 years

### DRAWING



### SPARE PARTS / ACCESSORIES:

#### MOUNTING:

See instruction supplied with the product

#### PACKING:

1pcs per box

### ISO-DRAWING

### CERTIFICATES & AWARDS

CE marked, Certifre certificate

### PRODUCT CARE

d line products are produced in the highest quality stainless steel, marine grade, AISI 316. To sustain the unique d line finish appearance please follow the below instructions:

- Wash down the surfaces using soapy water or mild detergent
- Always thoroughly rinse off with clean water
- To complete the cleaning procedure dry/polish the surfaces with a soft dry cloth

Please do not use scouring powder, steel wool, chloride based detergents or other aggressive cleaning products as these may damage the surface.

If spots or corrosion appear on the surface it is not due to the stainless steel quality, but to impurities in the environment, aggressive conditions or improper or insufficient cleaning.