

Lever handle Kay Otto Fisker

Arne Jacobsen Collection

d line

PRODUCT DATA SHEET

ITEM NUMBER SURFACE
12.4028.01.999 Brass, polished

PRODUCT
Lever handle Kay Otto Fisker

PICTURE



TENDER TEXT

Lever handle Kay Otto Fisker, Brass Solid rose cc 30 mm. Outstanding classic danish design by Arne Jacobsen. Material: Brass polsihed.

PRODUCT SPECIFICATION

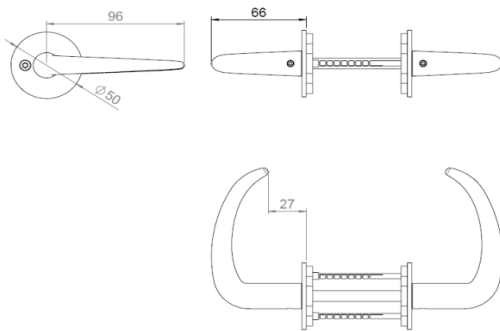
Dimensions: W:121 mm x H:50 mm x D:66 mm.

Material: brass

Surfase finish: mirror polished, crafted by hand

Warranty for stainless steel (non movable) parts - 15 years

DRAWING



SPARE PARTS / ACCESSORIES:

15970400068-Sectioned bolt M4 x 110 mm

15970400017-bush hexagon

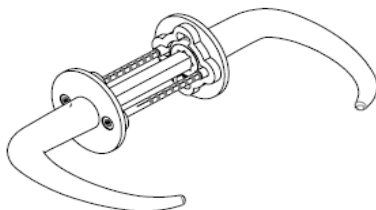
MOUNTING:

Used for c/c 30 mm locks

PACKING:

1 set in a bag

ISO-DRAWING



PRODUCT CARE

Arne Jacobsen collection products are produced in the highest quality stainless steel AISI 304 or brass. To sustain the unique d line finish appearance please follow the below instructions:

- Wash down the surfaces using soapy water or mild detergent
- Always thoroughly rinse off with clean water
- To complete the cleaning procedure dry/polish the surfaces with a soft dry cloth

Please do not use scouring powder, steel wool, chloride based detergents or other aggressive cleaning products as these may damage the surface.

If spots or corrosion appear on the surface it is not due to the stainless steel quality, but to impurities in the environment, aggressive conditions or improper or insufficient cleaning.