

# Toilet indicator

Arne Jacobsen Collection

d line

## PRODUCT DATA SHEET

ITEM NUMBER SURFACE  
06.2032.02.202 Satin stainless steel

PRODUCT  
Toilet indicator AJ 5V90, cc 30 mm

PICTURE

TENDER TEXT

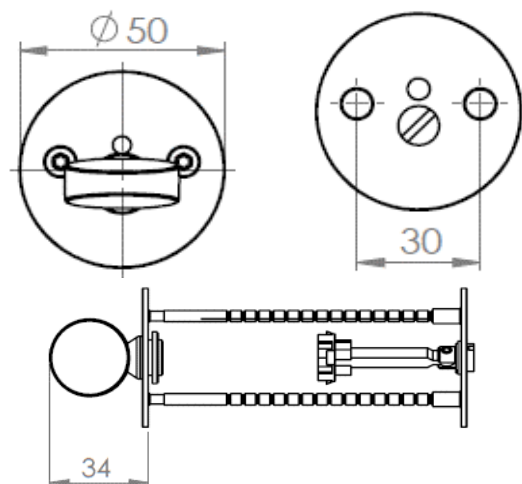


Toilet indicator by Arne Jacobsen. Iconic, timeless and classically elegant.  
Material: stainless steel AISI 304 satin finish. W:50 mm x H:50 mm x D:34 mm.

### PRODUCT SPECIFICATION

Dimensions: W:50 mm x H:50 mm x D:34 mm  
Material: stainless steel AISI 304  
Surface finish: satin grain 320, crafted by hand  
Warranty for stainless steel (non movable ) parts - 15 years

DRAWING



SPARE PARTS / ACCESSORIES:

14.2961.74.107 Section bolt set M4x110, with bush

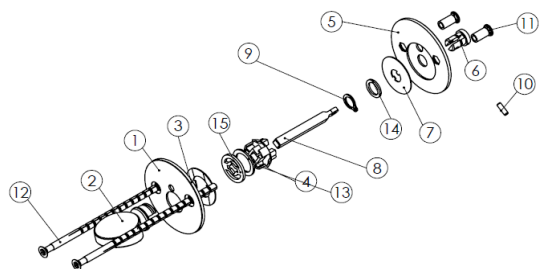
MOUNTING:

See instruction supplied with the product

PACKING:

1 pcs. In a bag

ISO-DRAWING



### PRODUCT CARE

d line products are produced in the highest quality stainless steel. To sustain the unique d line finish appearance please follow the below instructions:

- Wash down the surfaces using soapy water or mild detergent
- Always thoroughly rinse off with clean water
- To complete the cleaning procedure dry/polish the surfaces with a soft dry cloth

Please do not use scouring powder, steel wool, chloride based detergents or other aggressive cleaning products as these may damage the surface.

If spots or corrosion appear on the surface it is not due to the stainless steel quality, but to impurities in the environment, aggressive conditions or improper or insufficient cleaning.