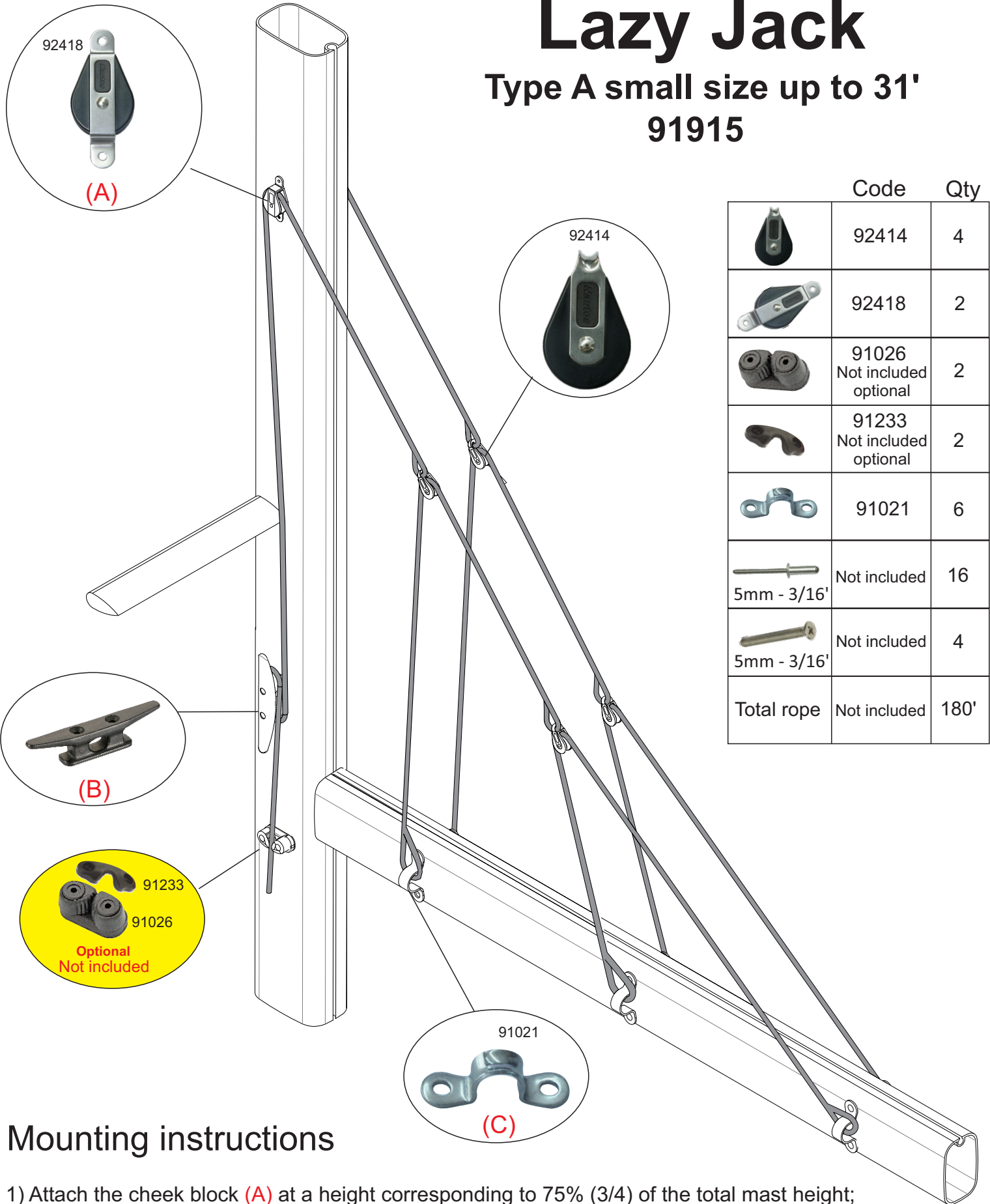


Lazy Jack

Type A small size up to 31'
91915



	Code	Qty
	92414	4
	92418	2
	91026 Not included optional	2
	91233 Not included optional	2
	91021	6
	Not included	16
	Not included	4
Total rope	Not included	180'

Mounting instructions

- 1) Attach the cheek block (A) at a height corresponding to 75% (3/4) of the total mast height;
- 2) Around the gooseneck high install the cleat (B) at a clear lateral area of the mast where the rope comes straight from the return block;
- 3) The first eye strap (C) should be attached at least 2.5' away from the mast. Then divide the remaining space and install the rest proportionally . Eye straps can be attached with screws or rivets.