

8

7

6

5

4

3

2

DWG NO. 302199

SH 1

NOTES:

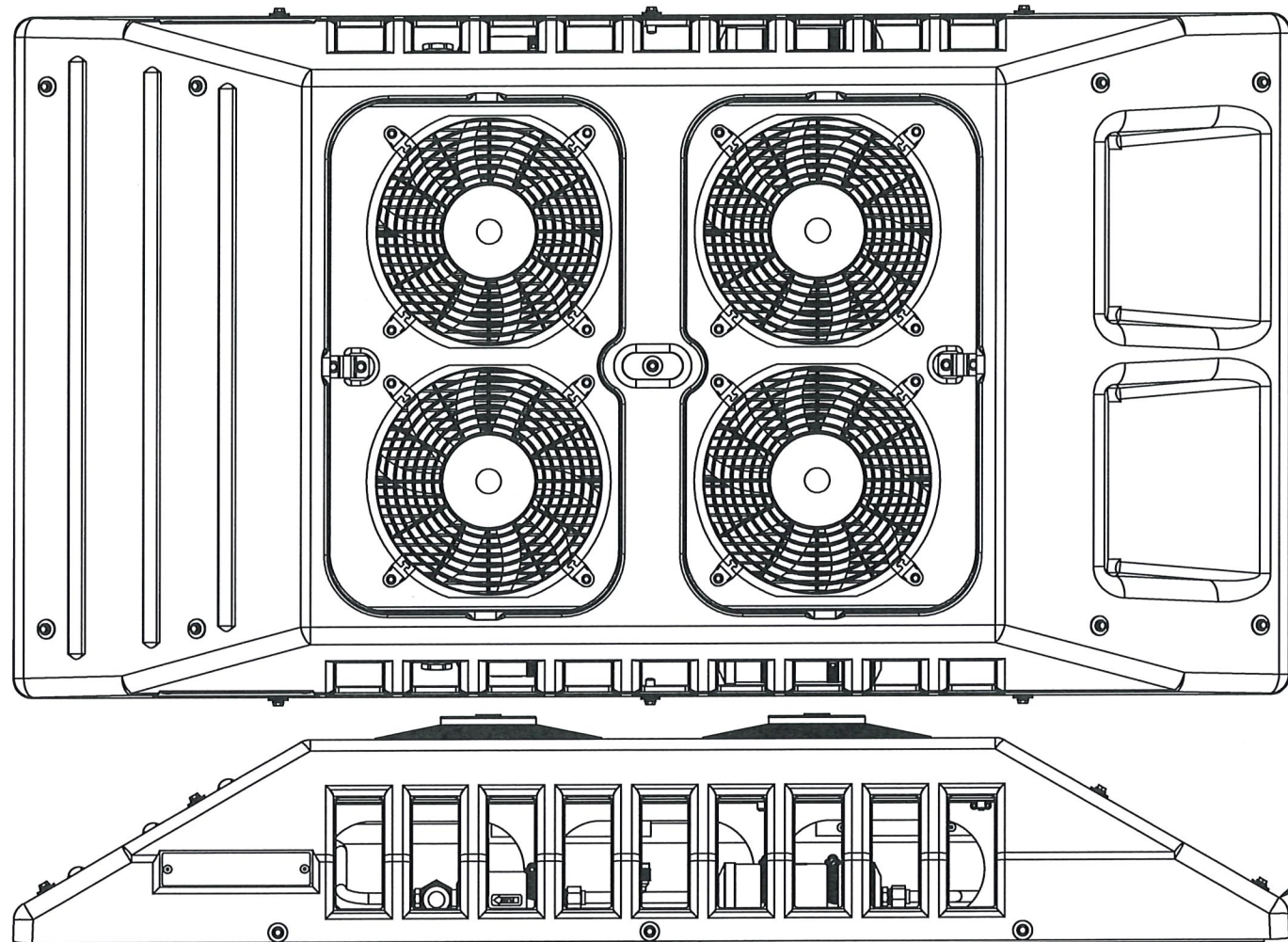
- 1. PLACE A STRIP OF ITEM 46 (TAPE) ON THE SURFACES OF ITEMS 2, 3 AND 12 (FRAME ANGLES & FRAME RAILS) WHERE THE COILS MAKE CONTACT.
- 2. PLACE A DOUBLE STRIP OF ITEM 47 (TAPE) ACROSS COIL HEADERS.
- 3. PLACE A STRIP OF ITEM 46 (TAPE) ON THE TOP FLANGE OF ITEM 14 (PARTITION) WHERE ITEM 11 (FAN PANEL) MAKES CONTACT.
- 4. TORQUE FAN MOUNTING SCREWS TO 35 INCH-POUNDS.

PACKAGING NOTES:

- 1. PLACE A COPY OF ITEM 53 (CHARGING CHART) INTO BOX WITH CONDENSER.

REVISIONS

REV.	DESCRIPTION	DATE	APPROVED
H	ECN 17007	1/16/2017	MCA
J	ECN 16222	3/3/2017	SRL
K	ECN 18011	4/24/2018	MCA



QTY REQD PER ASSY	PART NUMBER	DESCRIPTION	ITEM NO.
4	611017	CLAMP, WORM DRIVE, SS, 2.56-3.50	42
4	611001	CLAMP, WORM GEAR, 3.00 I.D.	41
10	518003	O-RING, 1/2	40
2	813018	CAP, PLUG, 1/2 M.I.O.	39
2	813017	CAP, PLUG, 5/8 M.I.O.	38
4	612015	RING, RETAINING	37
2	815027	RING, TRANSPORTATION	36
8	612037	CLIP, U-TYPE, #10-24	35
2	618023	NUT, HEX, LOCK, ESNA, #10-32, PLTD	34
8	617010	WASHER, LOCK, #10	33
12	617019	WASHER, FLAT, #10	32
15	617105	WASHER, LOCK, 1/4, SS	31
15	617104	WASHER, FLAT, FENDER, .25 I.D. X .88 O.D., SS	30
2	619108	SCREW, HEX HD., #10-32 X .62 LG.	29
16	619164	SCREW, HEX WASHER HEAD, #10-32 X 3/4 LG, SS, BLUE NYLON PATCH	28
8	619086	SCREW, PAN HEAD, THREAD CUTTING, #10-32 X .62 LONG	27
15	616501	BOLT, HEX FLANGE HEAD, 1/4-20 X 1.00 LG, SS, NYLON PATCH	26
26	616500	BOLT, HEX FLANGE HEAD, 1/4-20 X .75 LG, SS, NYLON PATCH	25
52	SD64BS	RIVET, POP, .187 DIA X .25 GRIP	24
4	2160116	FAN ASSEMBLY, 10 INCH PULLER	23
2	701339	HARNESS, CONDENSER, 2-FAN, SEALED	22
2	212028	RECEIVER	21
2	212021	FILTER/DRIER WITH SIGHT GLASS	20
2	301570	BRACKET, FILTER DRYER	19
1	302211	INSTALL KIT, 90K, 4-FAN	18
1	302203-01	COVER ASSEMBLY, 90K, 4-FAN	17
2	302197	PLATE, LIFTING RING	16
2	302194	TUBE ASSEMBLY, LIQUID, RECEIVER TO FILTER DRYER	15
1	302192	PARTITION, FAN PANEL	14
1	302191	BRACE, CENTER SUPPORT	13
2	302190	RAIL, FRAME, SIDE	12
1	302189	PANEL, 4-FAN	11
1	302188	CHANNEL, MTG., RIGHT	10
1	302187	CHANNEL, MTG., LEFT	9
1	302182	TUBE ASSEMBLY, LIQUID, FILTER DRYER TO FITTING, RIGHT	8
2	302176	BRACKET, FILTER DRYER	7
1	302175	TUBE ASSEMBLY, LIQUID, FILTER DRYER TO FITTING, LEFT	6
1	302174	TUBE ASSEMBLY, LIQUID, COIL TO RECEIVER, RIGHT	5
1	302173	TUBE ASSEMBLY, LIQUID, COIL TO RECEIVER, LEFT	4
1	302171	ANGLE, FRAME, REAR	3
1	302170	ANGLE, FRAME, FRONT	2
2	301624	COIL, CONDENSER, 2-FAN	1
-01	PART NUMBER	DESCRIPTION	ITEM NO.

2	916186	LABEL, FUSE WARNING, 15 AMP	59
15	617109	WASHER, FLAT, NEOPRENE, .188 ID X .88 OD X .06 THICK	58
			57
			56
			55
			54
1	501264	CHART, CHARGING INSTRUCTIONS	53
1	916086	LABEL, CAUTION, MICRO CHANNEL COIL	52
2	916008	LABEL, LIQUID OUT	51
2	916007	LABEL, HOT GAS IN	50
1	916005	LABEL, SERVICE POINT	49
1	501022	LABEL, SERIAL NUMBER	48
96in	810007	TAPE, CAP, 3/16" THK. X 1.00" WIDE	47
380in	810043	TAPE, 1/8 THK. X 1/2 WIDE	46
6	611013	CLAMP, INSULATED, 1/2	45
AR	117001	TYRAP, 6.00	44
AR	117003	TYRAP, 3.75	43
-01	PART NUMBER	DESCRIPTION	ITEM NO.

TABULATION	
PART NO.	DESCRIPTION
302199-01	STANDARD

QTY REQD PER ASSY	PARTS LIST		<p>UNLESS OTHERWISE SPECIFIED: DIMENSIONS ARE IN INCHES TOLERANCES ON DECIMALS 2PL 3PL ANGLE ± .03 ± .010 ± 1°</p>		<p>INTERPRET DRAWING PER DOD-STD-100 REMOVE BURRS AND SHARP EDGES DO NOT SCALE DRAWING</p>	<p>TRANS/AIR MFG CORP CONDENSER, ROOFTOP, R90, (4) 10" FANS, MICRO CHANNEL, 12VDC</p>		
MATERIAL:	DRAWN BY MCA	DATE 4/7/09	CHECKER MCA	DATE 4/30/18	DRAWING APPROVAL MCA	DATE 4/30/18	DESIGN APPROVAL	<p>SIZE D CODE DWG NO. 302199 REV K</p>
FINAL	NEXT ASSY		USED ON		APPLICATION		SCALE 1/4	SHEET 1 OF 3

CONFIDENTIAL AND THE PROPERTY OF TRANS/AIR MANUFACTURING CORP.

8

7

6

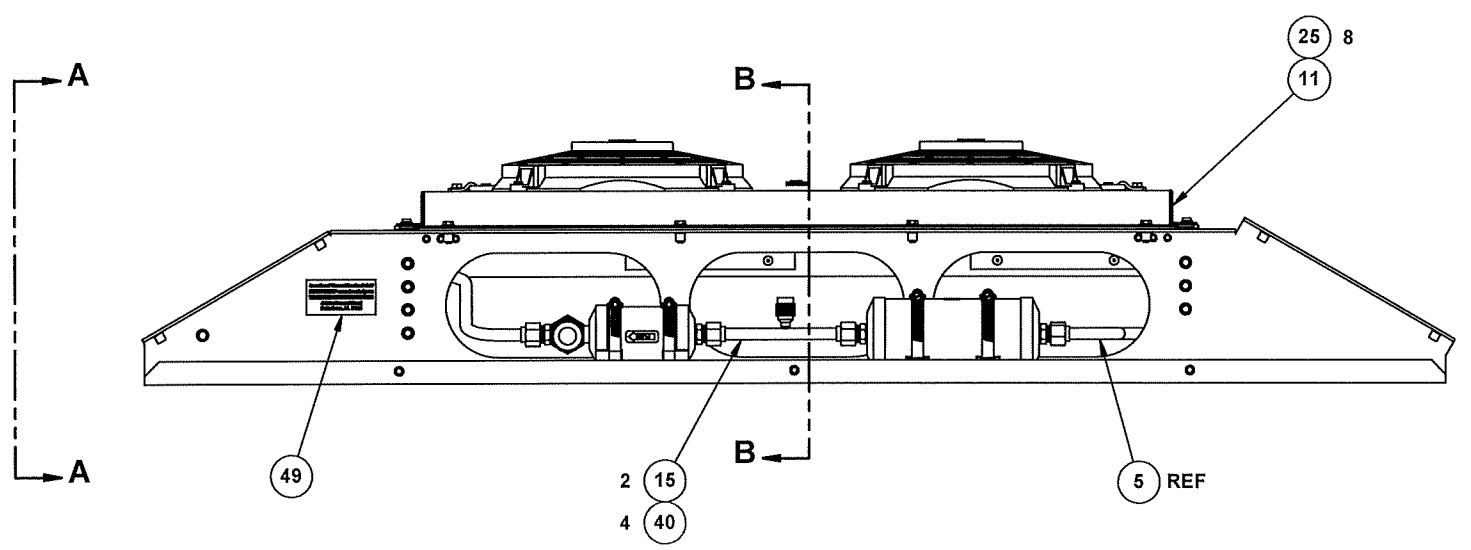
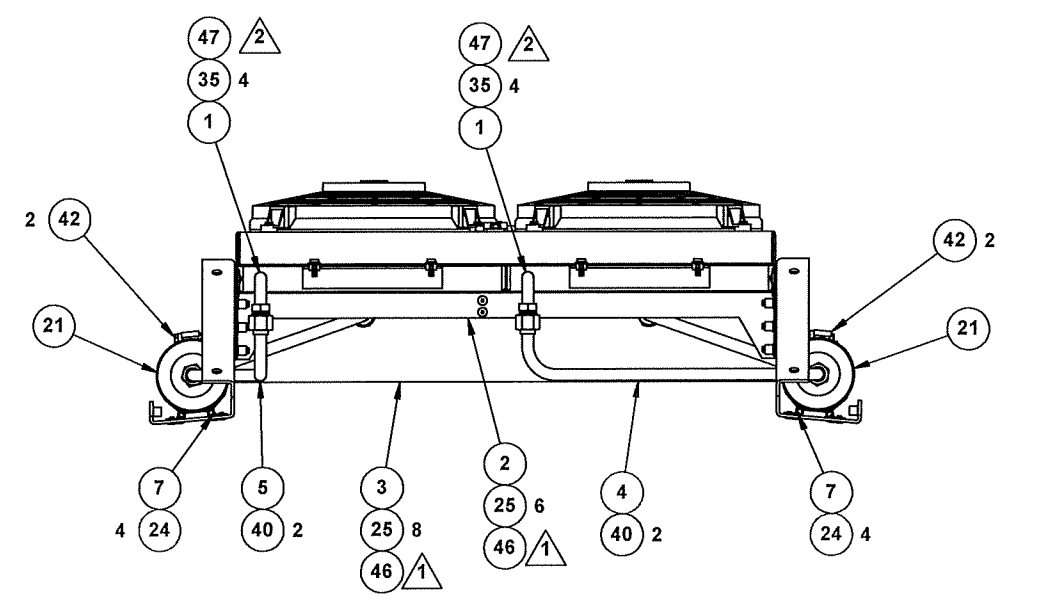
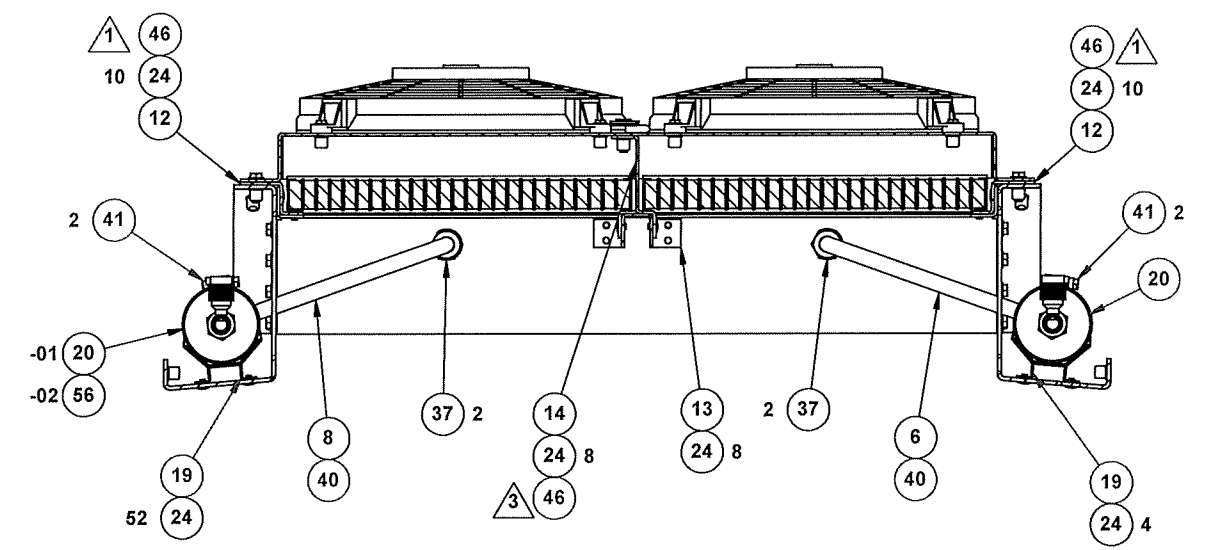
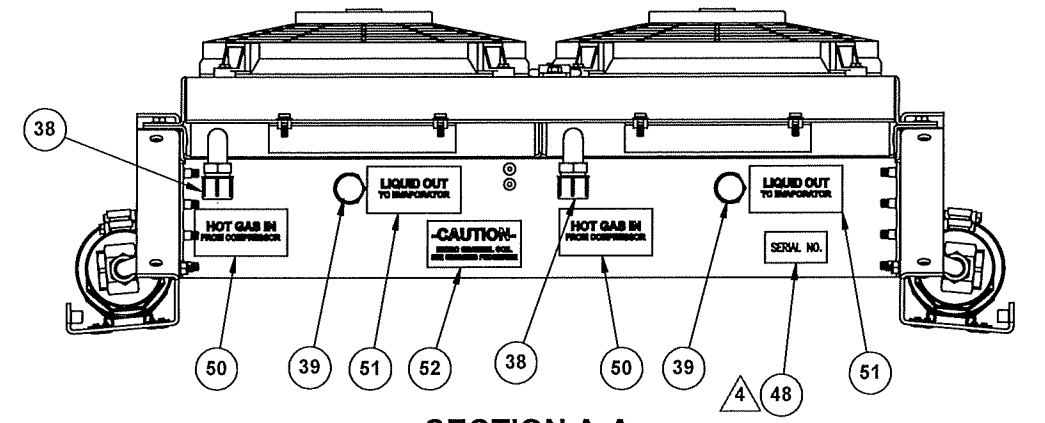
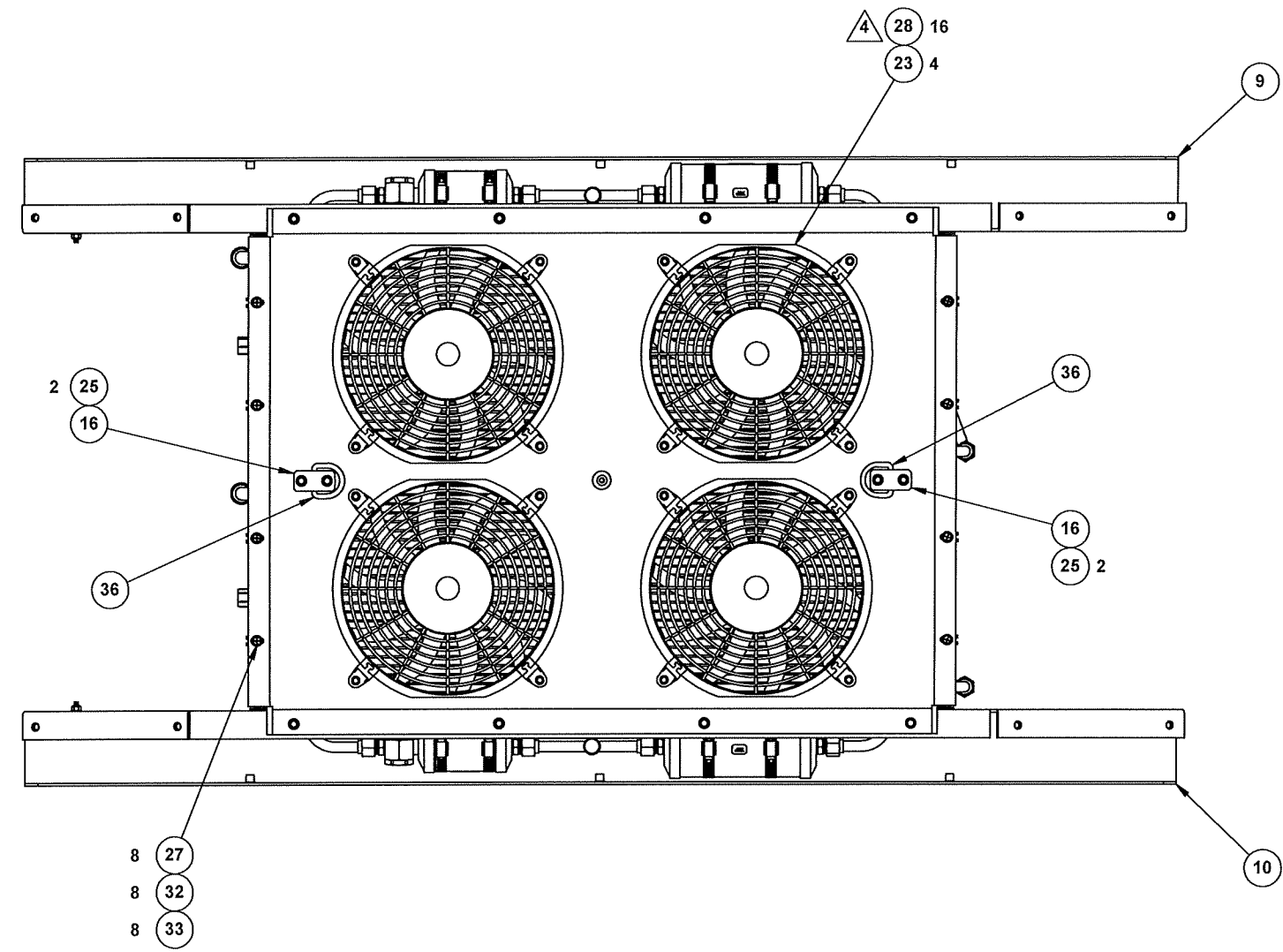
5

4

3

2

1



CONFIDENTIAL AND THE PROPERTY OF
TRANS/AIR MANUFACTURING CORP.

SIZE D	FSCM NO.	DWG NO. 302199	REV K
SCALE 1/4	SHEET 2 OF 3		

D

D

C

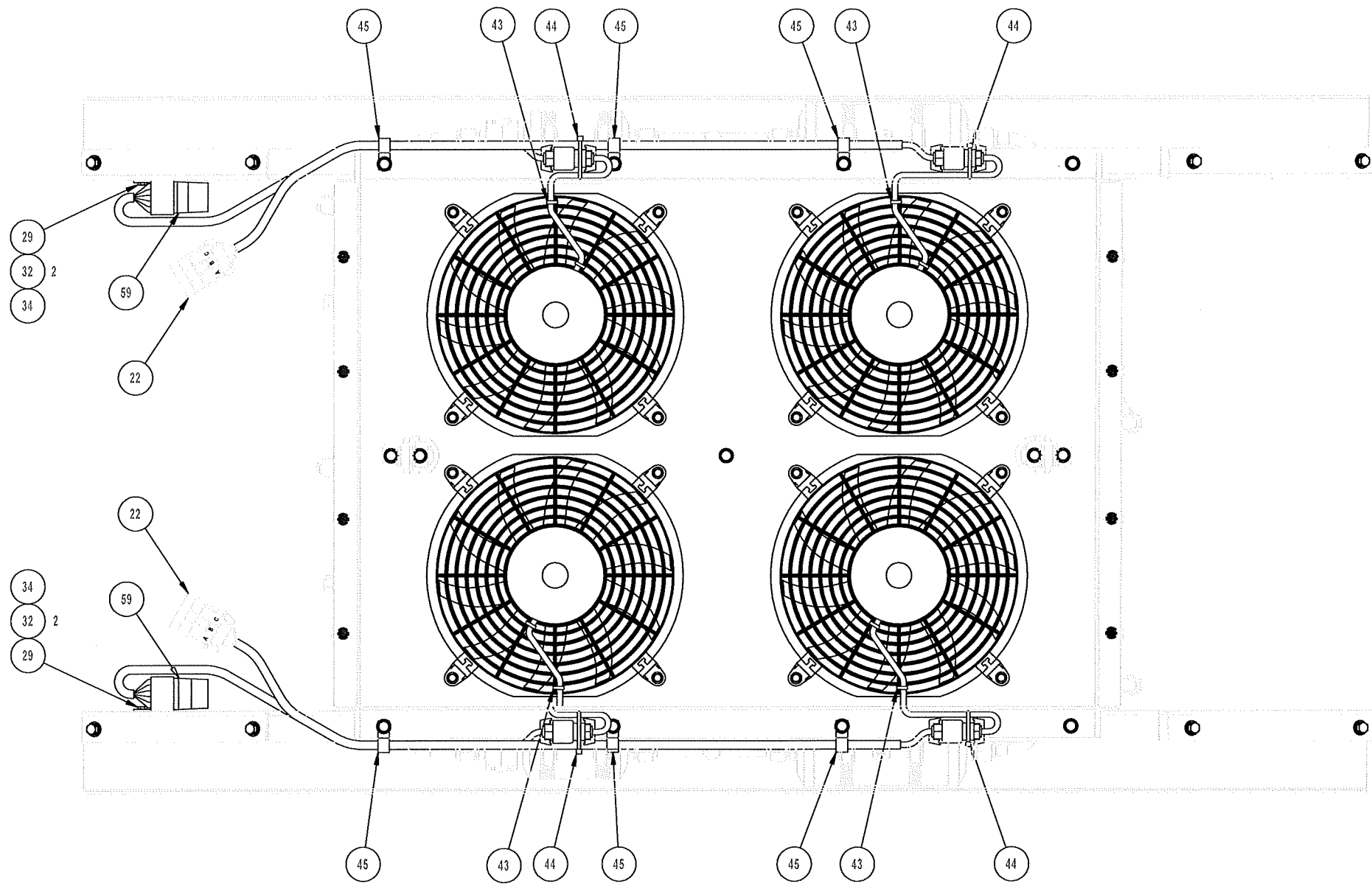
C

B

B

A

A



HARNES DIAGRAM