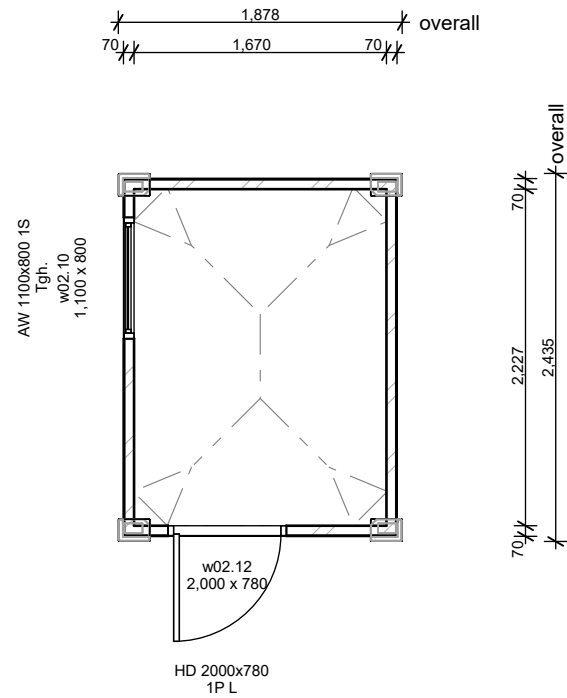


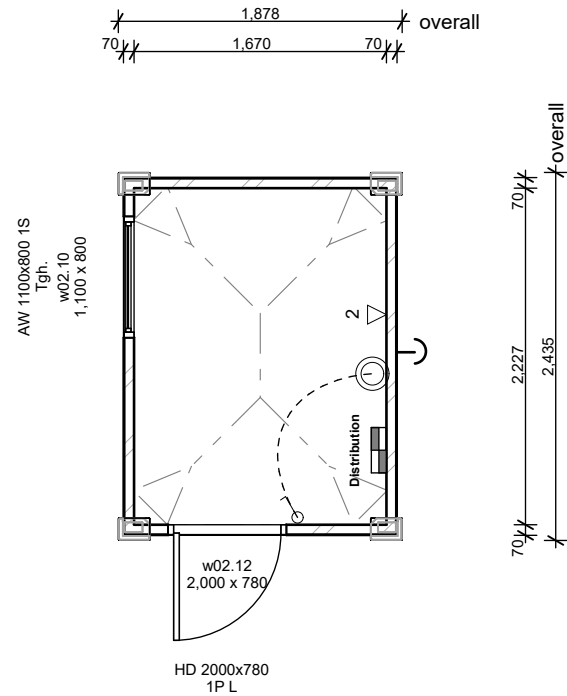
PL001



Risk Group - SH NZBC C1/AS1 Applies.	
NOTES: In general all construction to comply with the New Zealand Building code and all relevant NZ/A standards whether detailed on these plans or not.	
PODLIFE SPECIFICATIONS:	
SMOKE ALARMS: Smoke alarms to be fitted in accordance with NZBC F7/AS1 and NZS4514.	
ELECTRICAL: IPX4 (min) rated caravan plugs pre-installed into PODs by Certified Electrician. PODs shall be shipped with Electrical certification.	
WINDOW CODES:	
Tgh.	Toughened glass

5m² POD - Open POD

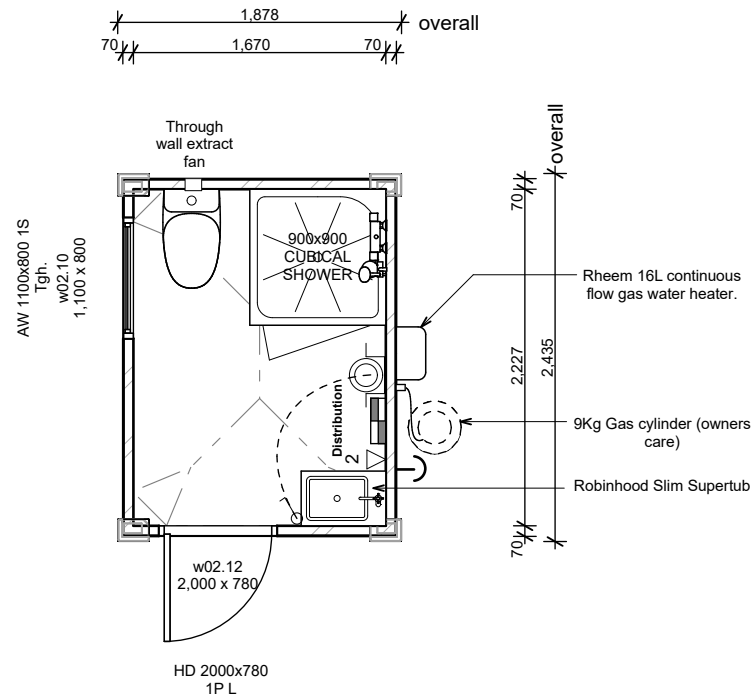
PL001



Risk Group - SH NZBC C1/AS1 Applies.	
NOTES: In general all construction to comply with the New Zealand Building code and all relevant NZ/A standards whether detailed on these plans or not.	
PODLIFE SPECIFICATIONS:	
SMOKE ALARMS: Smoke alarms to be fitted in accordance with NZBC F7/AS1 and NZS4514.	
ELECTRICAL: IPX4 (min) rated caravan plugs pre-installed into PODs by Certified Electrician. PODs shall be shipped with Electrical certification.	
ELECTRICAL KEY:	
⏏	Light Switch
2 ▽	Double plug
⊙	Wall mounted LED Light
Distribution Board	Distribution Board
↑	Caravan power plug - IN
WINDOW CODES:	
Tgh.	Toughened glass

5m² POD - Open POD (With Electrical)

PL001



NOTES:

In general all construction to comply with the New Zealand Building code and all relevant NZ/A standards whether detailed on these plans or not.

PODLIFE SPECIFICATIONS:

SMOKE ALARMS:

Smoke alarms to be fitted in accordance with NZBC F7/AS1 and NZS4514.

ELECTRICAL:

IPX4 (min) rated caravan plugs pre-installed into PODs by Certified Electrician. PODs shall be shipped with Electrical certification.

ELECTRICAL KEY:

	Light Switch
	Double plug
	Wall mounted LED Light
	Distribution Board
	Caravan power plug - IN

WINDOW CODES:

Tgh. Toughened glass

5m² POD - Bathroom POD