

Power Lift & Recline Chair

OWNER'S MANUAL **Model UC342**



Safety Guidelines

The symbols below are used in the owner's manual and/or on the product to identify warnings and notify you of important safety information. Make sure you read and understand them completely.



WARNING! Indicate(s) a hazardous situation which, if not avoided, could result in death or serious injury. This icon is represented as a black symbol on a yellow triangle with a black border.



MANDATORY! Failure to perform mandatory actions could cause personal injury and/or equipment damage. This icon is represented as a white symbol on a blue dot with a white border.



PROHIBITED! Indicate(s) an action(s) that should not be performed under any circumstance. Failure to adhere could cause personal injury and/or equipment damage. This icon is represented as a black symbol with a red circle and red slash.

Safety Symbols

The symbols below identify warnings, mandatory actions, and prohibited actions. They can be found in the owner's manual and/or on the product. Make sure you understand all safety labels before operating the product. **Do not** remove safety labels from your product.



Read and follow owner's manual!



Child and/or Pet Crush Hazard!



Pinch/Crush Point Hazard!



Transformer Crush Hazard!



Adult, Child and/or Pet Tip Over Hazard!

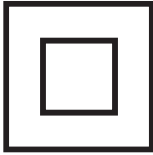


Fire Hazard!



continued from previous page

Safety Guidelines



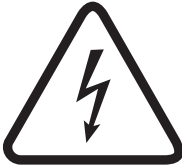
Class II Device!



Indoor use only!



Do Not Smoke!



Electrical hazard!



Do not dispose in trash!



Batteries required!



MANDATORY

READ THIS MANUAL FIRST BEFORE INSTALLING OR OPERATING YOUR POWER LIFT AND RECLINE CHAIR.

Your power lift and recline chair has been engineered from the leg levelers up to provide the ultimate in strength and reliability.

Great care has been taken to provide you with total comfort and safety. Each unit is thoroughly inspected and tested prior to shipment.



Complies with
UL 73 and
CSA C22.2 No. 68

! WARNING



Care should be taken in the unpacking of this unit, so as not to cause injury to persons or damage to the unit. Dispose of all plastic bags and covers, as they can be a smothering hazard to small children.



Do not allow children or pets near the chair while the chair is operating.



Do not allow children to play with or operate the chair at any time.



Hand control should be unplugged and placed out of the reach of children when the chair is not in use.



Do not flop down into the chair when getting into it, or while it is in its lift position. Flopping down into the chair will damage it and could cause personal injury.



Do not allow anyone to sit on your lap, or on the arm of the chair, or on the footrest while in or operating the chair, as it may cause tipping and could result in personal injury.



Do not place fingers or hands between the seat cushion and the inside arm of the chair while sitting in the chair or when the chair is in operation or plugged into a power source.



Do not retrieve fallen objects from inside or under the chair while the chair is plugged into a power source.



Do not operate the chair if there are any persons, pets or other obstructions under or in front of the footrest, under the chair or behind the chair.



Do not position yourself, child and/or pet too high on the chair while the chair back is reclined. This can cause a tip over hazard. Make sure you are properly fitted for the lift chair prior to operating the chair.



Do not smoke while operating, sitting or resting in the chair.



To reduce risk of electrical shock, do not immerse any of the electrical components into a liquid, or spill any liquids onto electrical components. Do not open any of the electrical components. There are no serviceable parts.



Warranty will be void if any of the electrical components are opened by other than a qualified service person.



Make sure the chair is placed at the specified distance from a wall/ corner (page 6). Failure to do so can damage the chair and will void the warranty.



Do not use any type of electrical extension cord to plug your chair into an electrical outlet. Make sure that all electrical products and their wires are positioned away from your chair as the metal lift frame mechanism could crush them and create a fire hazard and/or may cause personal injury.



Do not operate your lift chair while intoxicated or taking medications that impair your mental or physical abilities to operate the chair safely. Consult with your doctor about any medications you are taking that may affect the safe operation of the chair.



Do not operate this product if you have any medical conditions that result in limited, debilitating mental or physical capacity. You should consult your doctor before using this product.



Consult with your physician regarding using the Trendelenburg position.



Placing the lift chair in the center of a room or too far away from a wall will create a tripping hazard, because the power wires for the lift chair will be crossing main traffic areas in the residence.



Leakage from the 9 VDC backup batteries can result in property damage. Periodically inspect and replace the batteries. Read the “Battery Back Up System” and “Care and Maintenance” sections in this manual.



If the lift chair user is unconscious or sleeping the hand control may inadvertently become activated in a way that may force the user out of the chair.



Should you ever encounter a problem with the operation of your power lift chair, discontinue all use of the product upon discovery of the problem. Contact the provider from whom you purchased your chair to arrange service.



Exceeding the stated weight limit listed in this manual can result in instability of the lift chair, causing a potential tip over hazard.

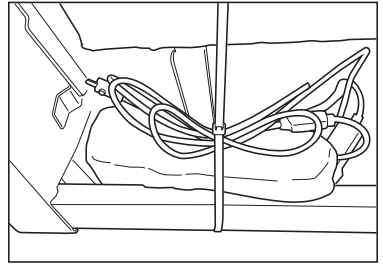
Installation Of Your Power Lift Chair

Model UC342

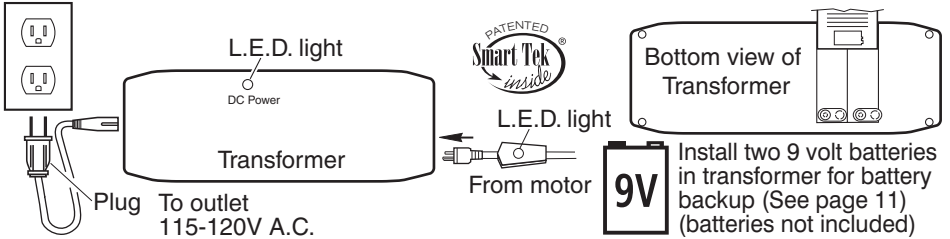
1. Remove the transformer, hand control, and power wire from the wooden cross rail (located behind the lower outside back) by removing the white zip tie.



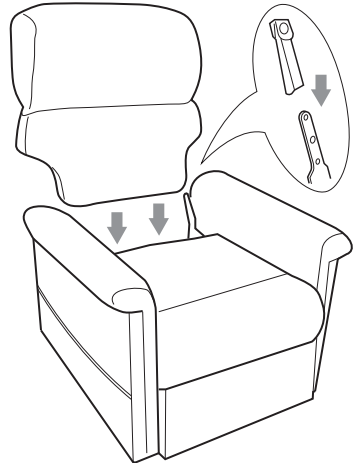
⚠ Place transformer on the floor behind the chair.



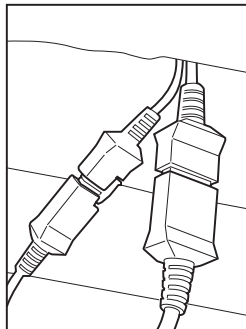
2. Place two 9 volt batteries in transformer as shown.
3. Plug the transformer into a 115-120V 60Hz A.C. outlet and connect the power cable from the chair into the transformer as shown. Make sure the power cable is routed under the wooden cross rail.



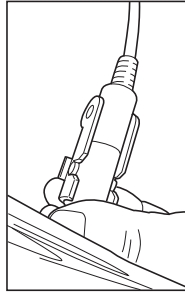
4. Align the back brackets and the seat brackets, then push down on the seat back until they are locked into place.



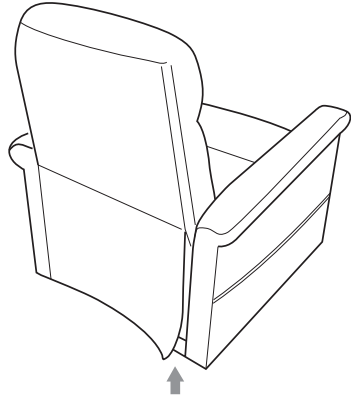
5. Connect the red and green connectors from the seat back to the red and green connectors of the chair. Red to red and green to green.



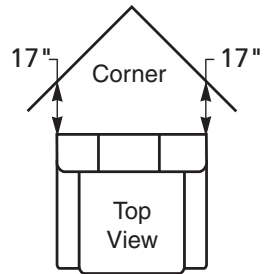
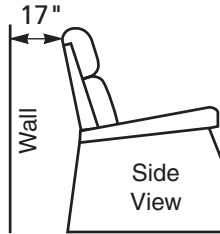
6. Reach into the pocket and attached the hand control to the extension, then close the lock to secure it.



7. Attach the bottom of outside back to the Velcro on the arm cross rail.



8. Place the chair in the desired position in the room, keeping it 17" away from the wall. If placing the chair into a corner, keep it 17" from the wall as shown. See distance chart below for your model.



**Distance Required From Wall
When Reclined**

Model No.	Wall	Corner
UC342	17 in.	17 in.

9. Adjust the leg levelers on the bottom of the chair if necessary to level the chair. Some high pile carpets can obstruct the footrest operation by rubbing against it. Adjust the levelers to a height above the pile.
10. Secure the cord into the quick release cable clamp located above the magazine pocket on the arm of the chair.

Chair Operation Model UC342

The PWR button needs to be turned on to activate all the functions of the hand control.

To turn the power on to the hand control, press the PWR button at the top of the hand control. The PWR button will glow green. To turn off the power to the hand control, press the PWR button again. PWR button will glow blue. Activating the hand control starts a 20 minute timer. To restart the timer after it shuts off, press the PWR button again. Lights will dim to conserve energy after about 10 seconds of non use.

Power Lock out

To lock the hand control, press and hold the PWR button for 4 seconds. The button will glow red.

To unlock the hand control, press and hold the PWR button for 4 seconds. The button will glow blue. After unlocking the hand control, you will need to press the PWR button to turn on the power to the hand control.

To recline your chair or lower it from the lift position, press the down arrow and hold until you reach your desired position. Then release the button.

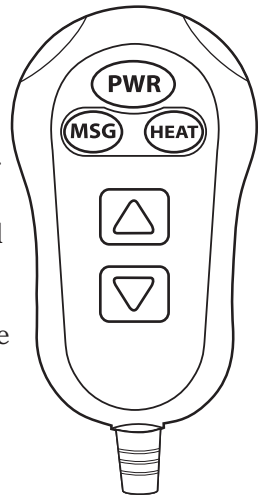
To return to a seated position from recline or to lift your chair to a standing position, press the up arrow and hold until you reach your desired position. Then release the button.

Model UC342 heat and massage operation

Press the MSG button to turn on the vibrators. Press the MSG button again to turn off the vibrators.

Press the Heat button to turn the heating pad on. Press the heat button again to turn off the heating pad.

The heat and massage work independent of each other and can be used separately or together and are factory set to turn off in 20 minutes. If you desire an additional 20 minutes you will need to press the buttons again to reactivate the heat and/or massage functions. Heat and vibration turn off when the up and down arrows are activated. Heat and vibration resume when the up and down arrows are released.



Note: Your power lift chair can be stopped at any time during lift or recline by releasing the selected button. The motor is set to shut off when it reaches its fully extended or fully retracted position if the selected button is not released. If you should go past your desired position, select the button to bring you back to your desired position. You can repeat the process as often as you like.

Should you ever encounter a problem with the operation of your lift chair, such as mechanical or electrical problems, discontinue all use of the product upon discovery of the problem. Contact the provider from whom you purchased your chair. They will be able to resolve problems and take care of service if needed.

NOTICE

To reduce the risk of potential product damage:

Follow these instruction to help ensure product quality over the life of the system. Failure to follow these instructions may invalidate the warranty.

Do not attempt to disconnect the power cord by pulling the power cord.

Always hold the power plug and pull it out.

Only use replacement parts specified by your provider. Unauthorized substitutions may result in fire, electrical shock or injury and will void the warranty. Only use the power supply that accompanied this system.

If their is a malfunction of any kind, please contact your provider for further instructions, and for returning it for examination, repair or replacement.

⚠ WARNING

- ⚠ To reduce the risk of fire or electrical shock, do not expose this product or any components of this product to rain or moisture.
- ⚠ Do not spill liquid on the system. Spilled liquid may damage the system.
- ⚠ Do not reach for any portion of the system that has fallen into water or any other liquid. Unplug immediately. Contact provider for service.
- ⚠ Use the power cord provided only. Do not overload wall outlets. The power outlet used for this product should be readily accessible for fast disconnection in case of an emergency.
- ⚠ Unplug the power supply should you find it necessary to clean or move the product. We strongly recommend using only a clean dry cloth.
- ⚠ You should unplug the system when it will not be used for a long period of time.
- ⚠ Keep all cords away from heated surfaces and pinch points.
- ⚠ Any changes or modifications to your system, or use of unauthorized accessories to your system not expressly approved by the manufacturer may be dangerous and voids any applicable warranties.
- ⚠ Close supervision is recommended when this product is used near children, invalids, or disabled persons. Always check the skin in contact with the heated area of this product.
- ⚠ Do not use outdoors. **FOR INDOOR USE ONLY.**

CONSUMER ONE YEAR WARRANTY

The manufacturer through its authorized distributor/service organization warrants this chair to the original consumer only, against defects in material or workmanship as follows:

Lifetime Warranty

The manufacturer warrants for the lifetime of the chair to the original consumer only to repair or replace at their option the Lift Mechanism, Chair Frame and Recline Mechanism.

One Year Parts Warranty

The manufacturer warrants the electrical parts of this chair against defects to the original consumer only for a period of one year. The labor to replace electrical and mechanical parts is subsidized for a period of one year. There is no in home service warranty provided on model UC342.

Terms Applicable to Warranties

The manufacturer will, at its option, repair and/or replace the defective parts and/or components provided that the warranty parts have not been subjected to misuse, abuse or improper service by the consumer; have not been damaged in transit or handling, and/or have not been altered or repaired by unauthorized representatives. This warranty does not include costs for unnecessary service calls, i.e., service calls solely for the purpose of educating the consumer about the product, finding an unsatisfactory power connection or for examination of any Warranted parts etc. All repairs must be approved by the manufacturer before service is provided. Any repairs by unapproved or unauthorized representatives will void all warranties.

Exceeding the weight capacity of the chair will void all warranties. Model UC342 weight limit is 375 lbs. Fabric shading cannot be guaranteed for replacement parts or replacement chairs.

In the event that the product does not conform to this warranty at any time while this warranty is in effect, the manufacturer will correct the defect in conformity with the Consumer One Year Warranty. THE ONE YEAR WARRANTY SET FORTH ABOVE IS THE SOLE AND ENTIRE WARRANTY PERTAINING TO THE PRODUCT AND IS IN LIEU OF AND EXCLUDES ALL OTHER WARRANTIES OF ANY NATURE WHATSOEVER, WHETHER EXPRESS, LIMITED, IMPLIED, OR ARISING BY OPERATION OF LAW INCLUDING, BUT NOT LIMITED TO ANY IMPLIED WARRANTIES OF MERCHANTABILITY OR FITNESS FOR A PARTICULAR PURPOSE. THIS WARRANTY DOES NOT COVER OR PROVIDE FOR THE REIMBURSEMENT OR PAYMENT OF INCIDENTAL OR CONSEQUENTIAL DAMAGES. Some states do not allow this exclusion or limitation of incidental or consequential damages so the above limitation or exclusion may not apply to you.

The manufacturer shall not be liable for any incidental or consequential damages or for any other damage or loss not contained in this warranty. This warranty gives you specific legal rights, and you may also have other rights which may vary from state to state.

Battery Back Up System

Your power chair comes with a battery back up in the advent of a household power failure, the batteries have enough energy to bring the chair to a seated position from the recline position. *The batteries do not have enough energy nor are they intended to operate the chair for an prolonged period of time in the absence of standard household voltage (120 volt, 60 Hz).* **Batteries should be replaced after one use.** Batteries should be changed yearly.

CARE AND MAINTENANCE

Your lift chair will require routine maintenance checks. You can perform some of these checks, while others may require assistance from a provider. By following these maintenance checks, you can make sure your lift chair gives you years of trouble-free operation. If you have any questions or concerns regarding your lift chair's care and maintenance, contact your provider.

- ✓ Before cleaning your lift chair, consult your provider for the proper types of cleaner and cleaning methods.
- ✓ Keep all electrical components free from moisture and liquid spills. **Intended for indoor use only.**
- ✓ Periodically inspect all wiring harnesses to make sure they are not cut, damaged, frayed, or disconnected. If damage of any type is present, unplug the lift chair and contact your provider.
- ✓ Periodically check all fasteners for tightness, wear, and corrosion. If any of these are present, unplug the lift chair and contact your provider.



Warning: Be careful of pinch points and sharp metal parts (wear gloves).

- ✓ Replace the batteries after one use. Replace the batteries yearly, even if they were not used. **Batteries are intended for one use only!**

NOTES

NOTES

FOR YOUR RECORDS

Please fill in your Power Lift & Recline Chair information below. This information will be useful in the event that you should ever need to contact your provider concerning your lift chair.

Date of Purchase _____

Model _____

Serial Number _____

Your representative or provider

Name _____

Company _____

Address _____



CAUTION



Do not allow children to play on this mechanized furniture or operate the mechanism.

Leg rest folds down on closing so that a child could possibly be injured.

Always leave chair in a sitting position. Keep hands and feet clear of mechanism. Only the occupant should operate it.



PLACE
STAMP
HERE

WARRANTY DEPARTMENT
401 BRIDGE ST
OLD FORGE PA 18518-2323

