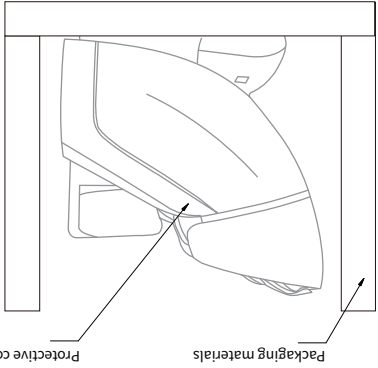


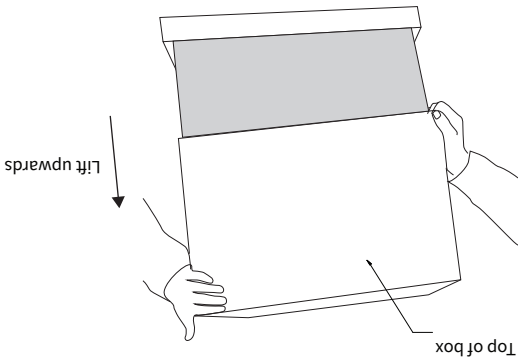
With a partner, lift the chair out of the box.

**Step 3:**



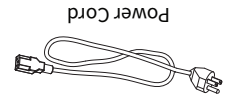
Remove protective covering from the chair.

**Step 2:**

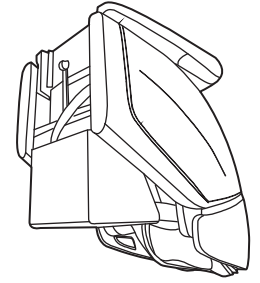


Open the box and remove packaging materials.

**Step 1:**



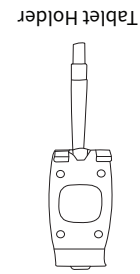
Power Cord



Chair Body



Tablet Remote



Tablet Holder

Box 1: Chair Body & Power Cord

If anything is missing, please contact RockerTech Massage Chairs at 603-910-5000. Do not return to the place of purchase.

Carefully check box contents to the detail below, making sure all contents are accounted for.

Alternatively, scan the QR code to go directly to the URL above.

Before assembling your chair, watch an assembly video at: [www.rockertechmassage.com/assembly-tutorials](http://www.rockertechmassage.com/assembly-tutorials)

SCAN CODE



**DO NOT RETURN TO THE STORE**



[www.rockertechmassage.com](http://www.rockertechmassage.com)

**Congratulations**

on the purchase of your RockerTech® massage chair

US-Based Customer Service  
603-910-5000

How can we help?

- Question with assembly?  
*Check out our online videos*
- Missing parts?
- Damaged part?
- Something not working right?
- Questions on how to operate?

Go to [www.rockertechmassage.com](http://www.rockertechmassage.com) or Call us for Live, US-based Tech Support

**603-910-5000**

or Email us at: [info@rockertechmassage.com](mailto:info@rockertechmassage.com)

**DO NOT RETURN TO THE STORE**



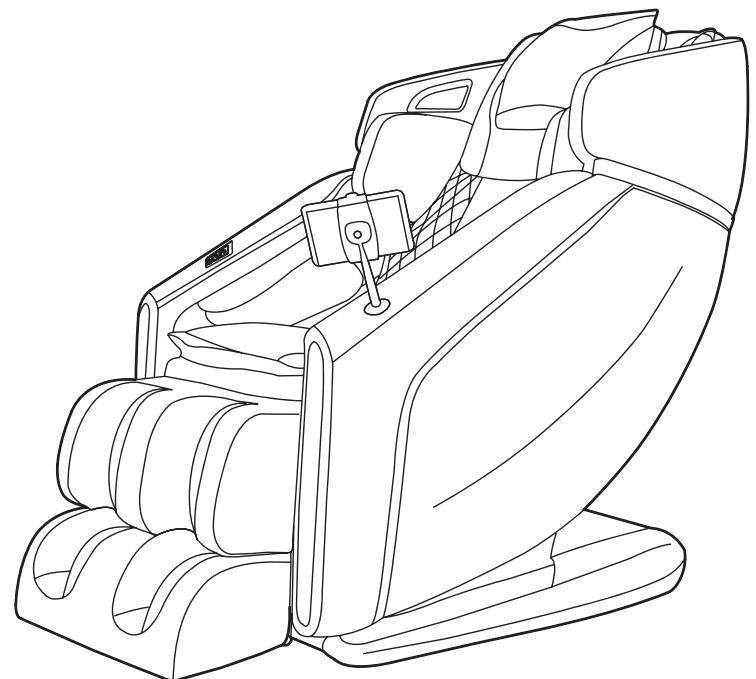
SCAN CODE

Register your product at [www.rockertechmassage.com/warranty/registration](http://www.rockertechmassage.com/warranty/registration) to ensure it is in our system. This will simplify the warranty process should you ever need it.

Alternatively, scan the QR code to go directly to the URL above.



**Sensation™ 4D Massage Chair**



**Assembly Guide**

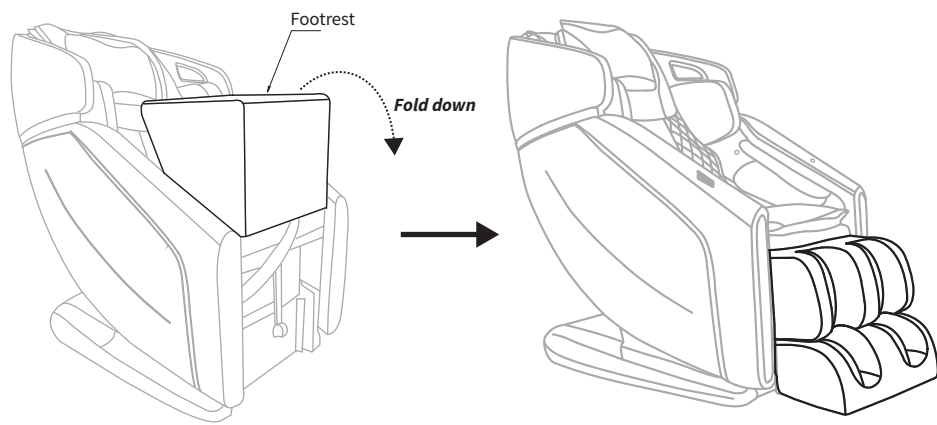


72 Stard Road, Seabrook, NH 03874 | (800)-242-0761 | [www.rockertechmassage.com](http://www.rockertechmassage.com)

Version 1.0

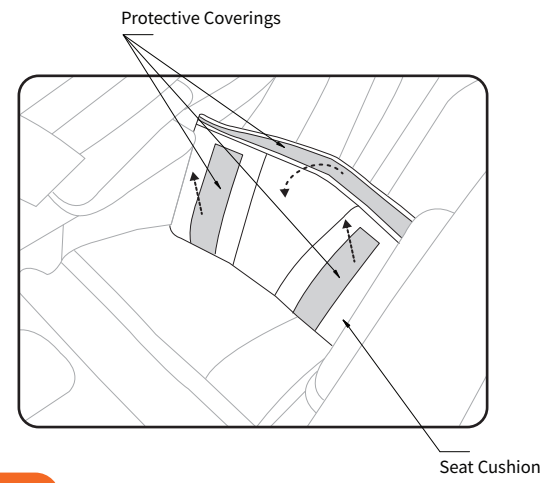
## Step 4:

Fold down footrest. Remove the protective covering from footrest.



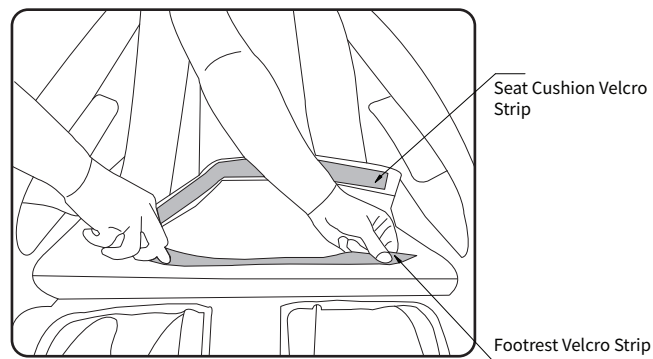
## Step 5:

To properly install the seat cushion, remove and discard the 3 protective covers from the velcro on the underside of the seat cushion.



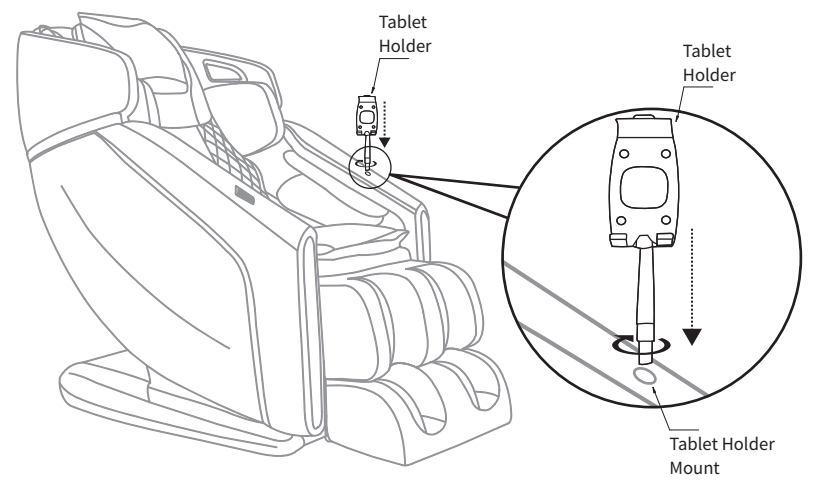
## Step 6:

Place the velcro from the flap on top of the footrest onto the velcro strip on the chair body, then place the seat cushion down, lining up the velcro on the chair body with the seat cushion.



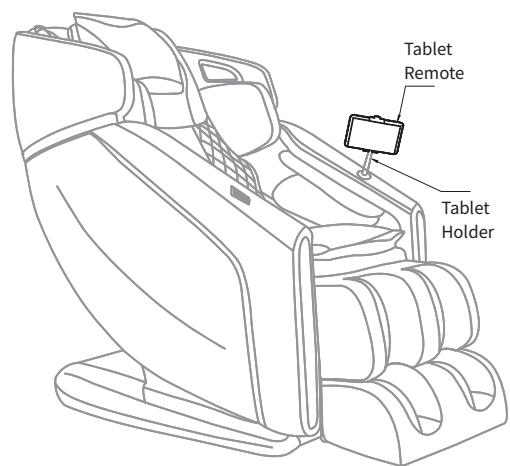
## Step 7:

Locate the tablet holder from the accessory box. Place the tablet holder into the tablet holder mount and screw in clockwise to secure.



## Step 8:

Place the tablet remote into the tablet holder.



## Step 9:

Connect the chair's power cord to a grounded 110V electrical outlet and plug it into the respective port on the back side of the base of the chair. Flip the main power switch on.

