

FYRN



FYRN.COM

INFO@FYRN.COM

(415) 805-6908

NESTING TABLE MAUNA LOA

Series: Stemn

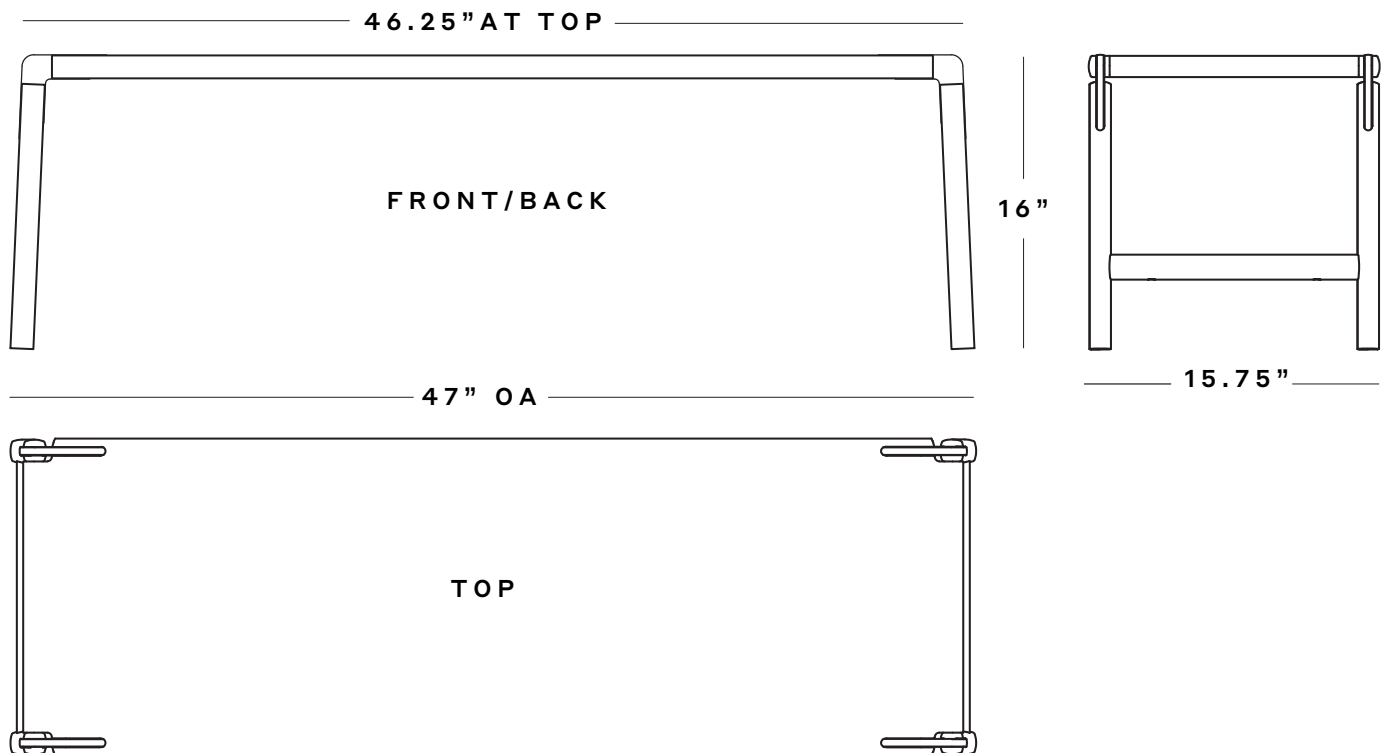
The long table is a unique piece that can be used as a coffee table, entry/hallway bench, or a seamless end-of-bed piece. Sold individually or pair with nesting tables for versatile configurations.

Materials:

- North American hardwoods with a natural oil matte finish
- Patented anodized aluminum brackets

Wood Finishes: Maple & Black Walnut

Bracket Finishes: Matte Silver & Copper Bronze



NESTING TABLE DENALI

Series: Stemn

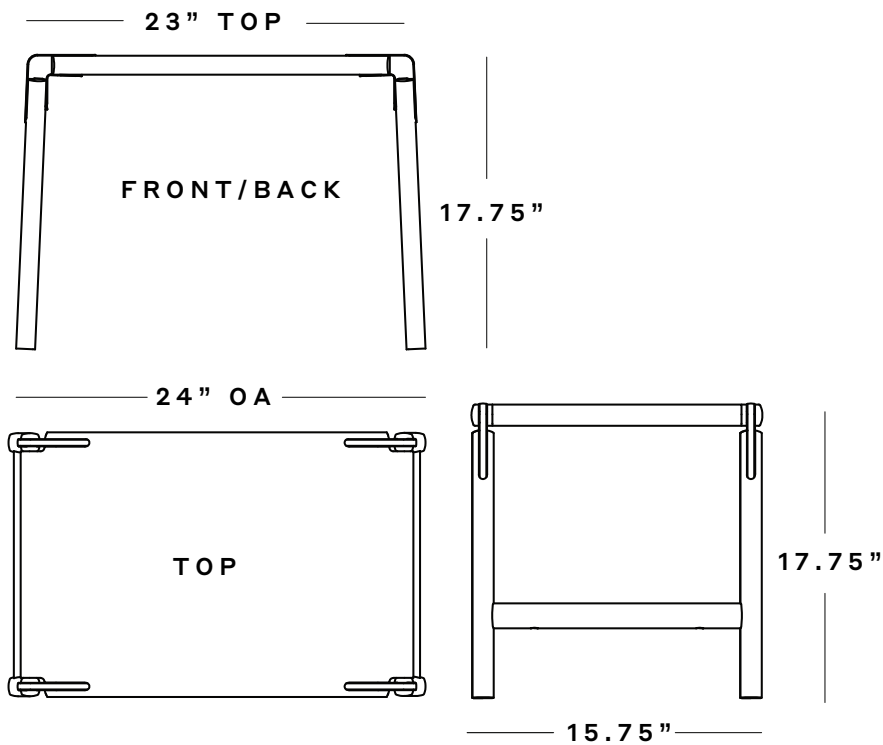
Our largest nesting table, the Denali's clean profile works beautifully as a side table, bedside table or impromptu extra seat. Sold individually or in suggested configurations for additional versatility.

Materials:

- North American hardwoods with a natural oil matte finish
- Patented anodized aluminum brackets

Wood Finishes: Maple & Black Walnut

Bracket Finishes: Matte Silver & Copper Bronze



**NESTING TABLE
RAINIER**

Series: Stemm

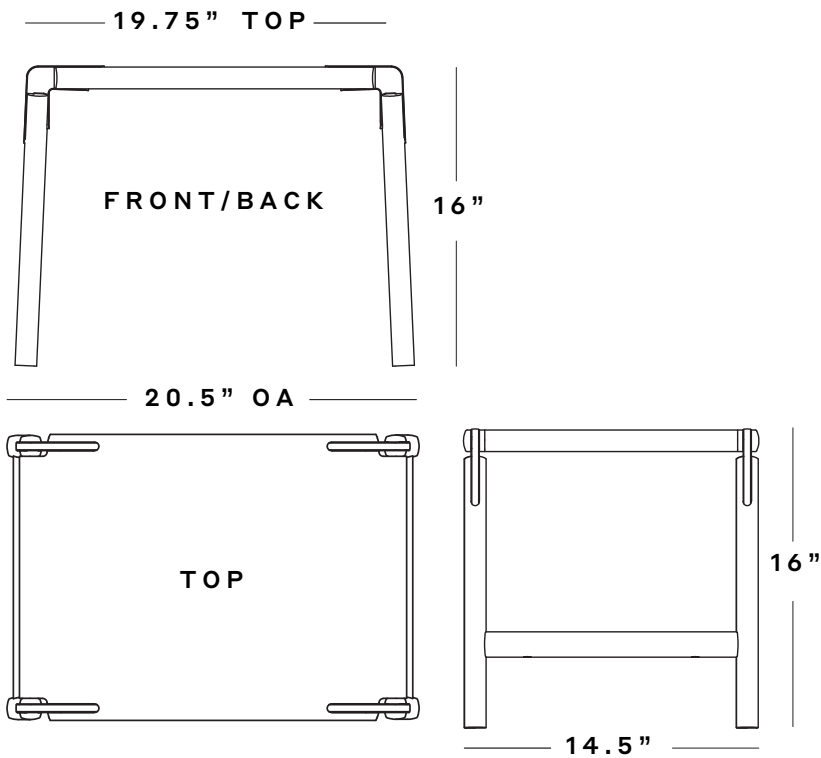
A mid-size nesting table that can be used as a side table, bedside table or impromptu extra seat. Sold individually or consider a suggested configuration for additional versatility.

Materials:

- North American hardwoods with a natural oil matte finish
- Patented anodized aluminum brackets

Wood Finishes: Maple & Black Walnut

Bracket Finishes: Matte Silver & Copper Bronze



NESTING TABLE SHASTA

Series: Stemn

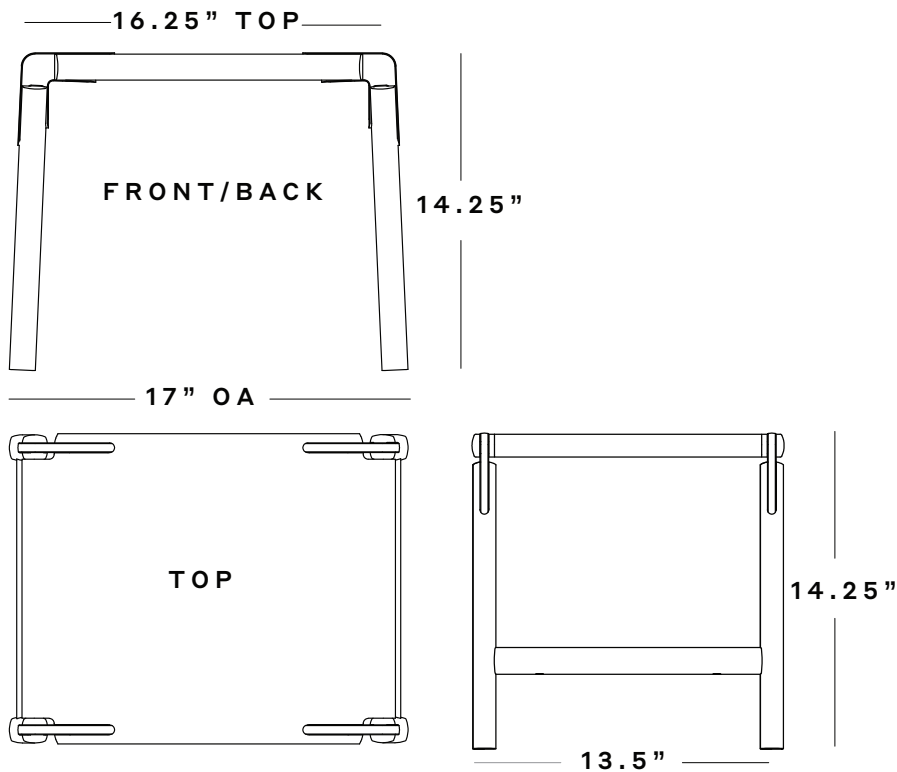
A mid-size nesting table that can be used as an extra seat, side table, footstool or ottoman. Sold individually or in configurations that allow you to easily tuck the Shasta away when not in use.

Materials:

- North American hardwoods with a natural oil matte finish
- Patented anodized aluminum brackets

Wood Finishes: Maple & Black Walnut

Bracket Finishes: Matte Silver & Copper Bronze



**NESTING TABLE
PINYON**

Series: Stemm

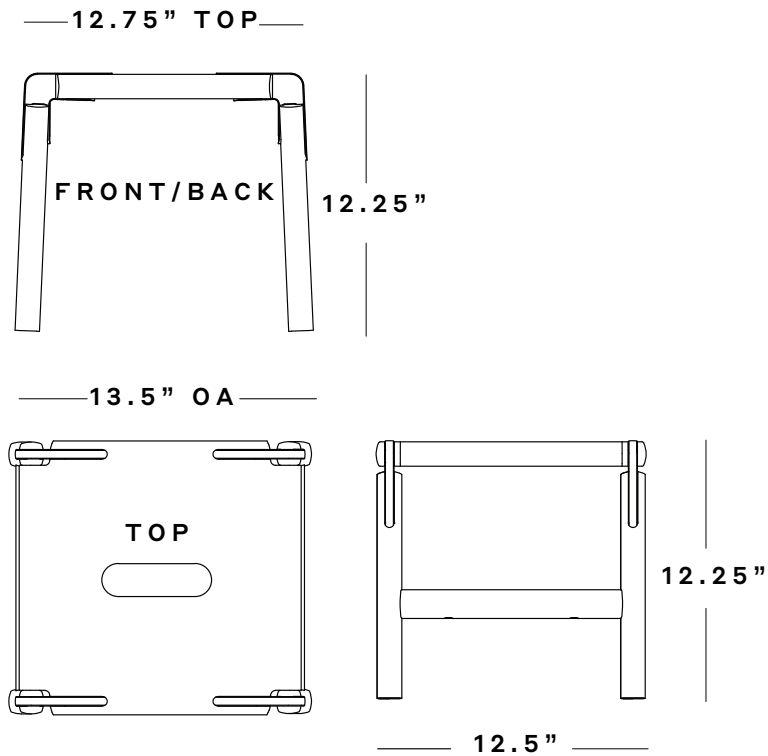
Our smallest nesting table features a convenient center handhold. Use it as a side table, extra seat or footstool. Sold individually or with other tables so you can easily tuck the Pinyon away when not in use.

Materials:

- North American hardwoods with a natural oil matte finish
- Patented anodized aluminum brackets

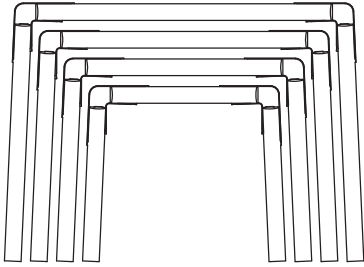
Wood Finishes: Maple & Black Walnut

Bracket Finishes: Matte Silver & Copper Bronze

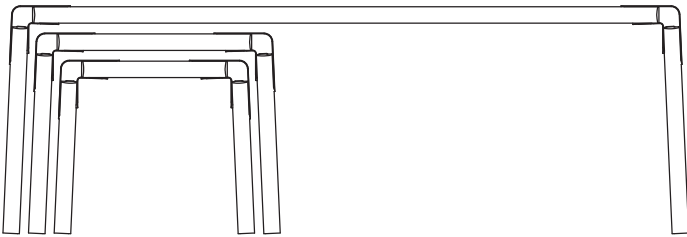


NESTING TABLE CONFIGURATIONS

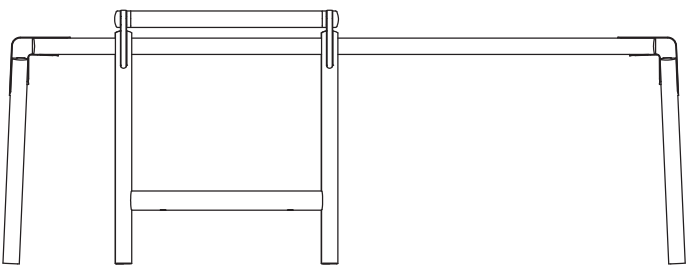
Nesting Tables can be specified in a variety of configurations that allow a space to transform along with the needs of the environment. Reinforced by Fyrn's patented bracket system, the various sizes provide for multiple uses of the furniture - including side tables, bedside table/bench, impromptu extra seat or footstool. Explore recommended configurations or build your collection over time.



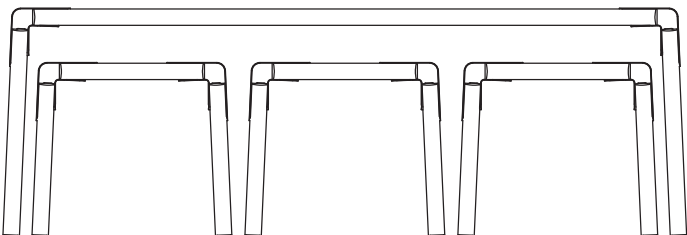
DENALI
RAINIER
SHASTA
PINYON



MAUNA LOA
SHASTA
PINYON



DENALI
MAUNA LOA



MAUNA LOA
PINYON X3

THANK YOU

Contact our customer team at info@fyrn.com for additional resources, guides and project support.

