

FYRN



STANDARD CHAIR MARIPOSA

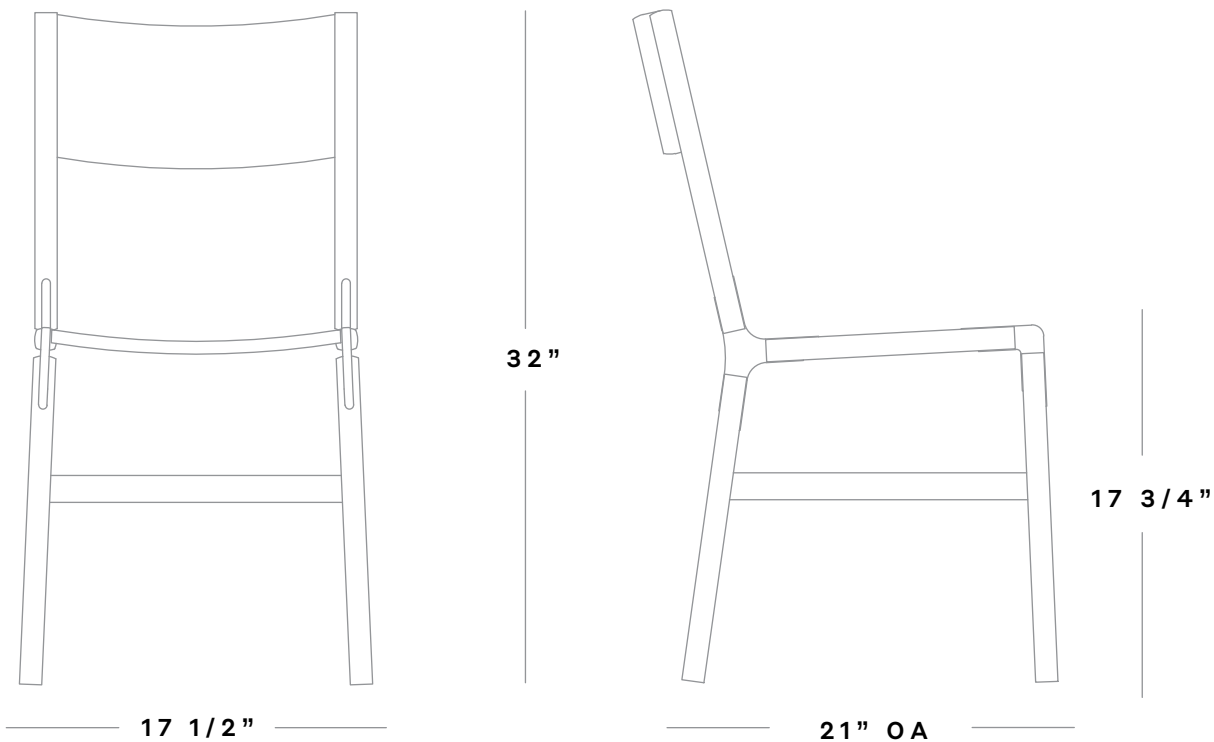
Series: Stemm

Materials:

- North American hardwoods with a natural oil matte finish
- Patented anodized aluminum brackets
- Optional leather upholstery

Finishes: Visit the website or contact us directly for currently available finish selections.

Weight: 12 pounds



Product measurements and finish options subject to change, visit our website and contact us directly for the most current information.

BACKLESS STANDARD CHAIR SHORTY

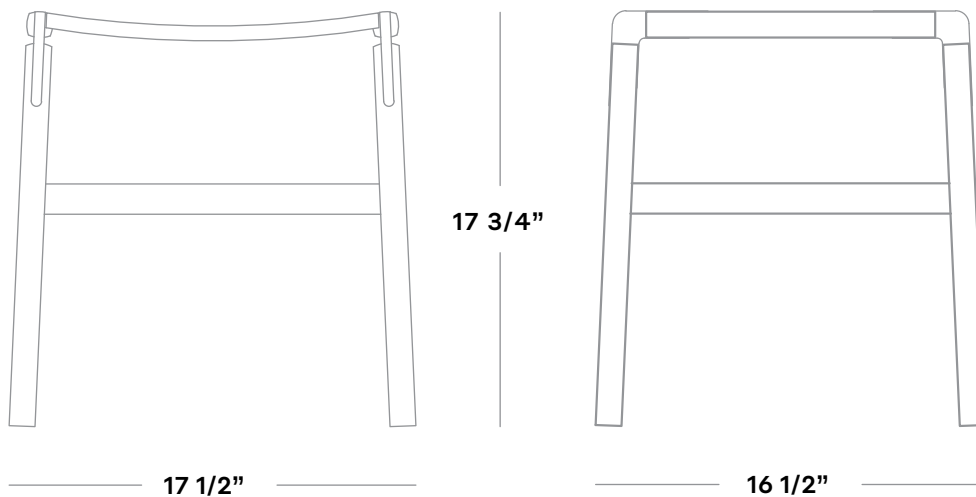
Series: Stemm

Materials:

- North American hardwoods with a natural oil matte finish
- Patented anodized aluminum brackets
- Optional leather upholstery

Finishes: Visit the website or contact us directly for currently available finish selections.

Weight: 9 pounds



Product measurements and finish options subject to change, visit our website and contact us directly for the most current information.

BACKED ADA-HEIGHT STOOL

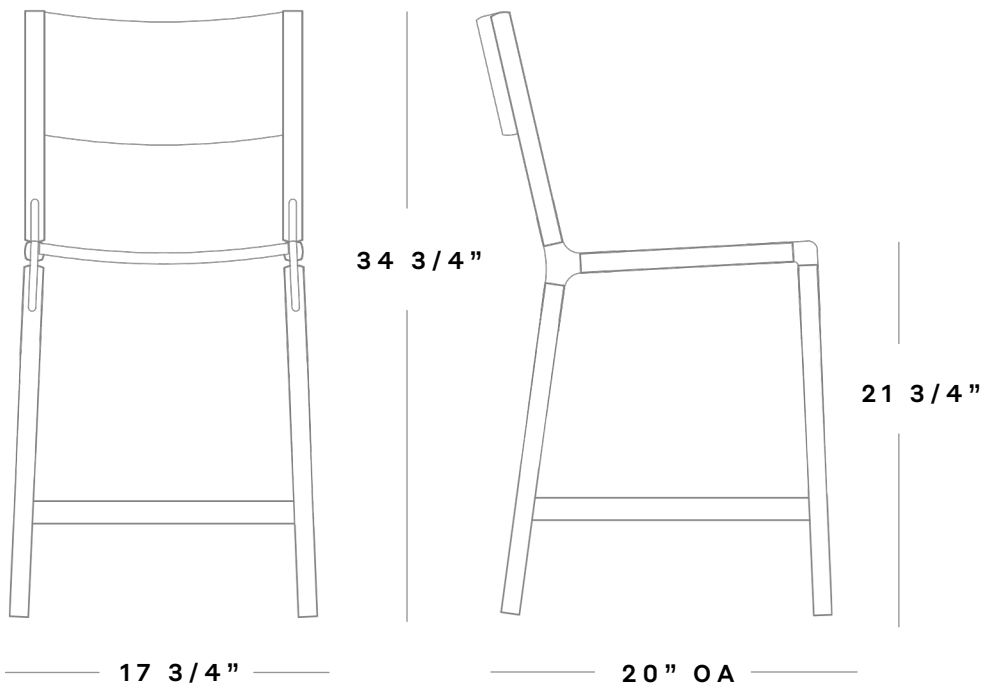
Series: Stemm

Materials:

- North American hardwoods with a natural oil matte finish
- Patented anodized aluminum brackets
- Optional leather upholstery

Finishes: Visit the website or contact us directly for currently available finish selections.

Weight: 13 pounds



Product measurements and finish options subject to change, visit our website and contact us directly for the most current information.

BACKLESS ADA-HEIGHT STOOL

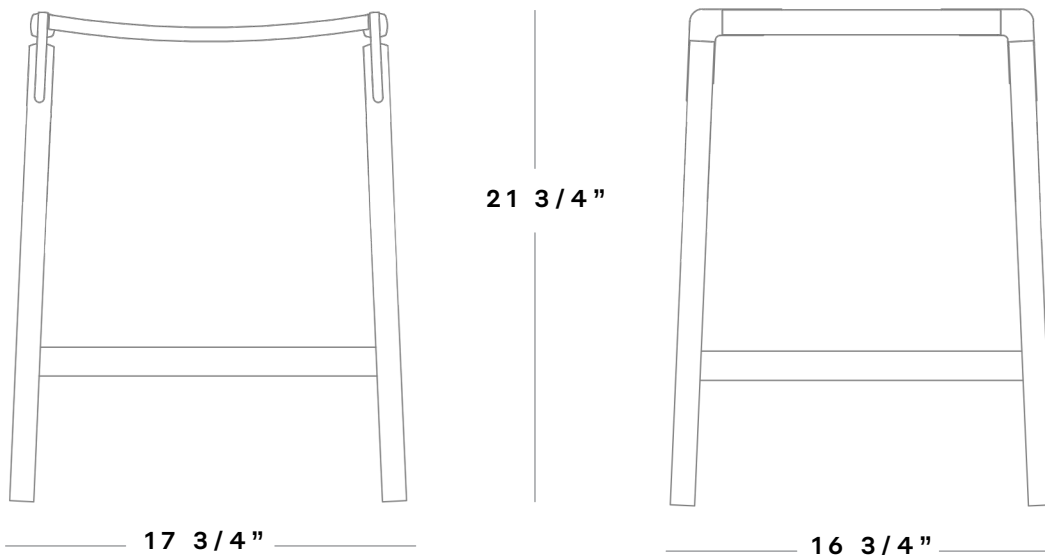
Series: Stemm

Materials:

- North American hardwoods with a natural oil matte finish
- Patented anodized aluminum brackets
- Optional leather upholstery

Finishes: Visit the website or contact us directly for currently available finish selections.

Weight: 10 pounds



Product measurements and finish options subject to change, visit our website and contact us directly for the most current information.

COUNTER STOOL LINDEN

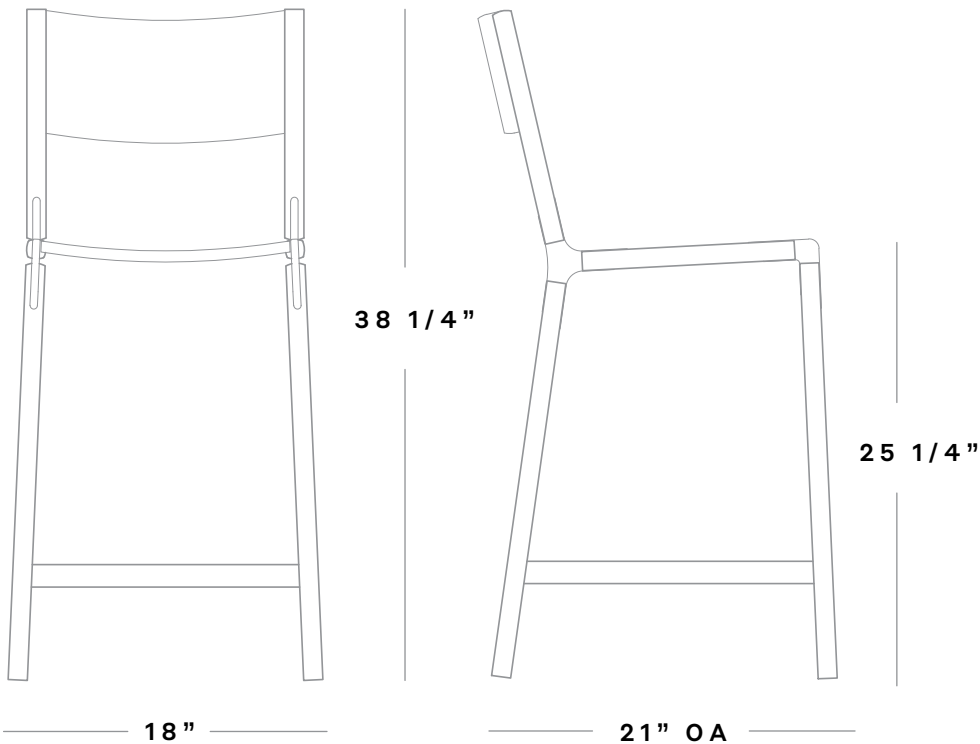
Series: Stemm

Materials:

- North American hardwoods with a natural oil matte finish
- Patented anodized aluminum brackets
- Optional leather upholstery

Finishes: Visit the website or contact us directly for currently available finish selections.

Weight: 13 pounds



Product measurements and finish options subject to change, visit our website and contact us directly for the most current information.

BACKLESS COUNTER STOOL DE HARO

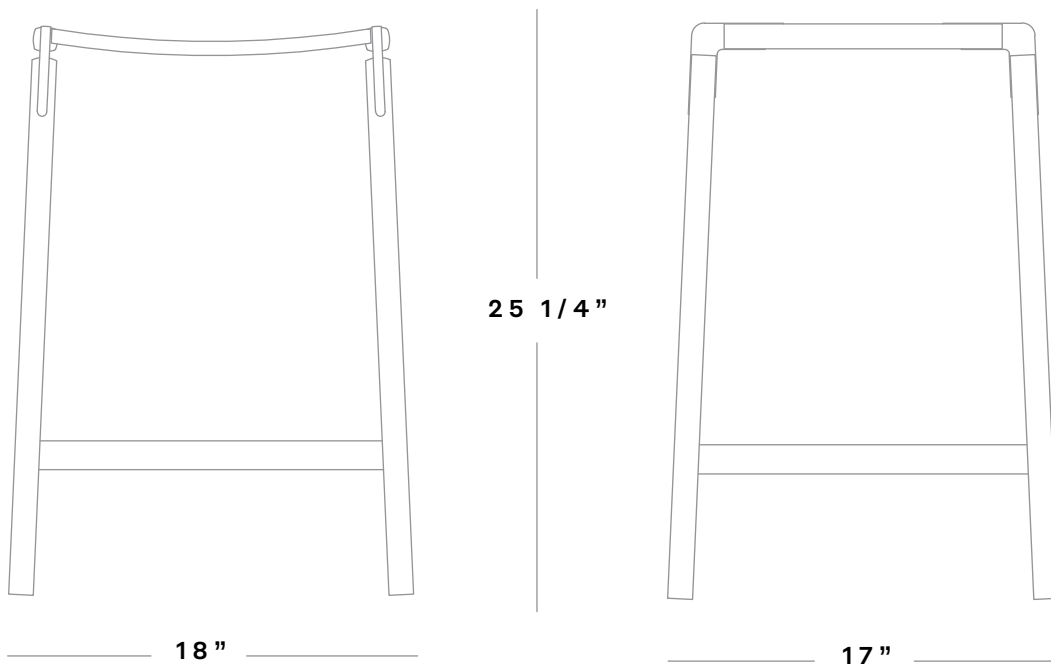
Series: Stemm

Materials:

- North American hardwoods with a natural oil matte finish
- Patented anodized aluminum brackets
- Optional leather upholstery

Finishes: Visit the website or contact us directly for currently available finish selections.

Weight: 10 pounds



Product measurements and finish options subject to change, visit our website and contact us directly for the most current information.

BAR STOOL STANYAN

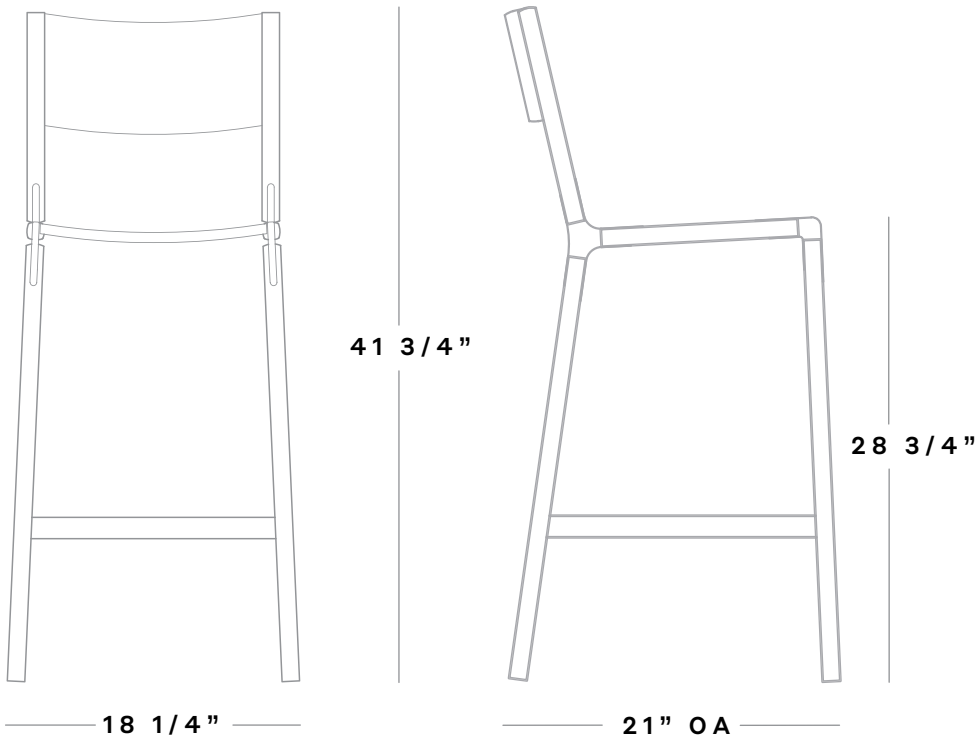
Series: Stemm

Materials:

- North American hardwoods with a natural oil matte finish
- Patented anodized aluminum brackets
- Optional leather upholstery

Finishes: Visit the website or contact us directly for currently available finish selections.

Weight: 14 pounds



Product measurements and finish options subject to change, visit our website and contact us directly for the most current information.

FYRN



BACKLESS BAR STOOL BARTLETT

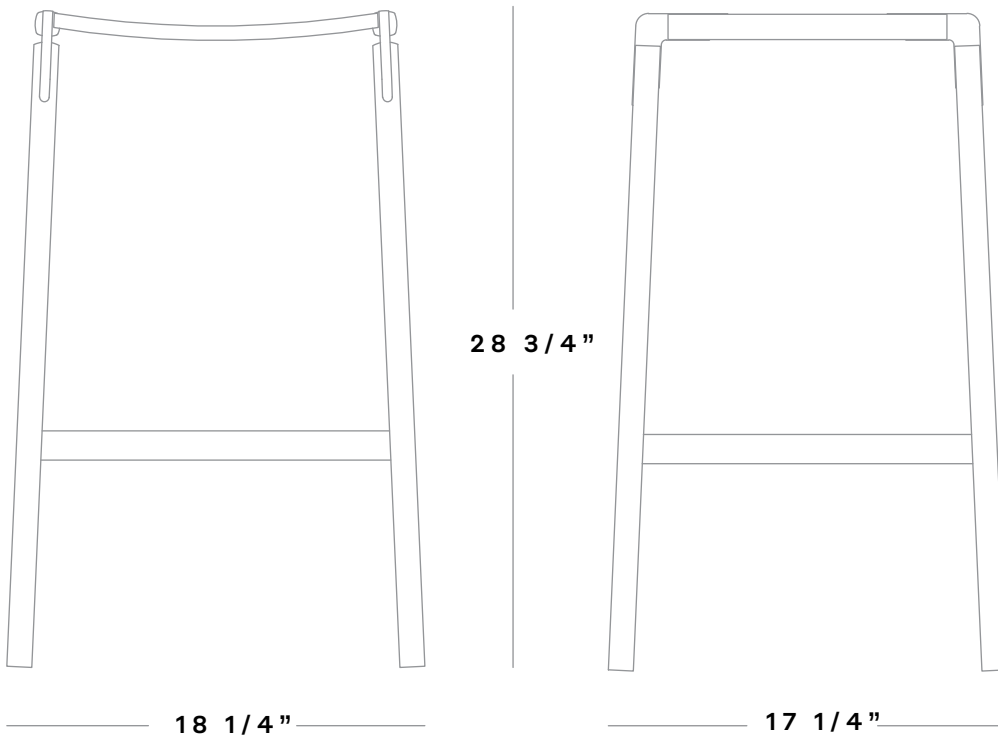
Series: Stemm

Materials:

- North American hardwoods with a natural oil matte finish
- Patented anodized aluminum brackets
- Optional leather upholstery

Finishes: Visit the website or contact us directly for currently available finish selections.

Weight: 11 pounds



Product measurements and finish options subject to change, visit our website and contact us directly for the most current information.

A close-up photograph of a wooden chair's corner. The image shows a dark-stained wooden leg on the left, a light-colored wooden seat on the right, and a black metal bracket that connects them. The background is a soft, out-of-focus light color.

THANK YOU

Contact our customer team at
info@fyrn.com for additional resources,
guides and project support.