

WHAT'S INCLUDED:

- 1 X Light Bar
- Side and Bottom Mount Brackets & Hardware

**STREET LEGAL LIGHT BAR
DRIVING / FOG BEAM**

CLDBARS6H

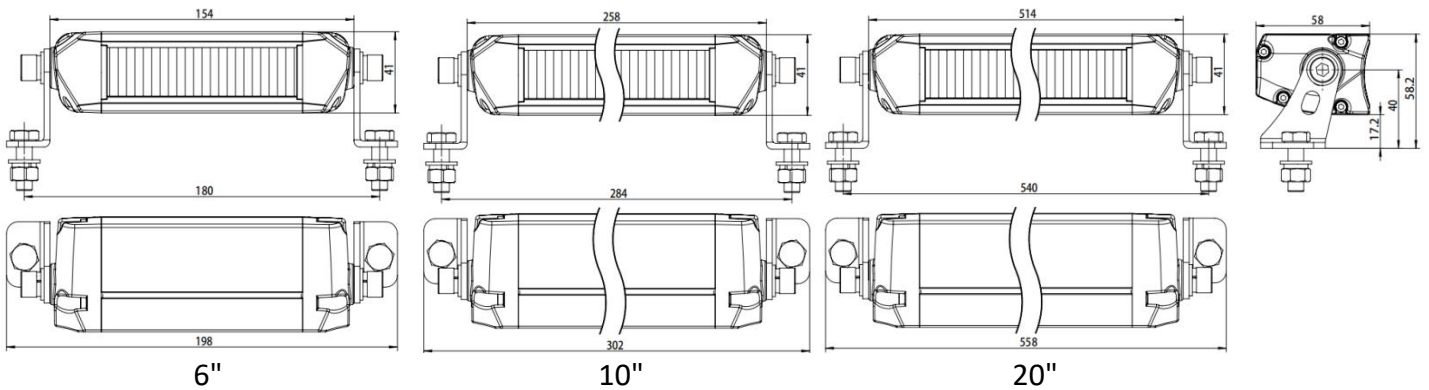
CLDBARS6F

CLDBARS10H

CLDBARS20H

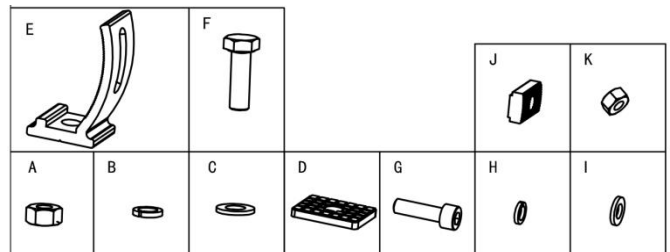
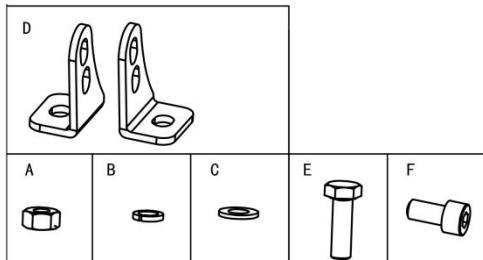
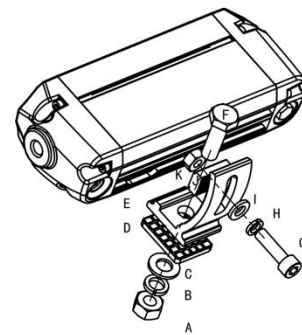
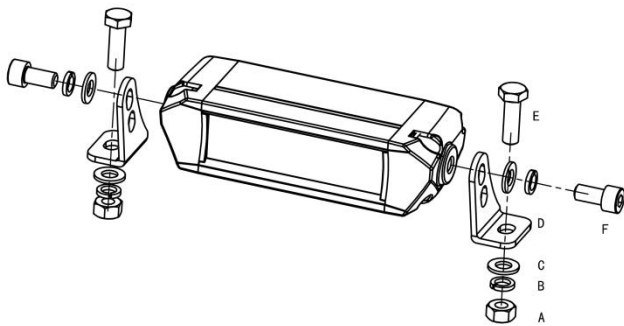
FEATURES & SPECIFICATIONS:

- Light Output: 718 - 6,898 Lumens
- Power: 20W - 180W @ 13.6V DC
- Voltage: 10 - 36V DC
- Beam Pattern & Compliance:
 - 6" Auxiliary High Beam (SAE J581, CLDBARS6H)
 - 6" Fog Light (SAE J583, CLDBARS6F)
 - 10" Auxiliary High Beam (SAE J581, CLDBARS10H)
 - 20" Auxiliary High Beam (SAE J581, CLDBARS20H)



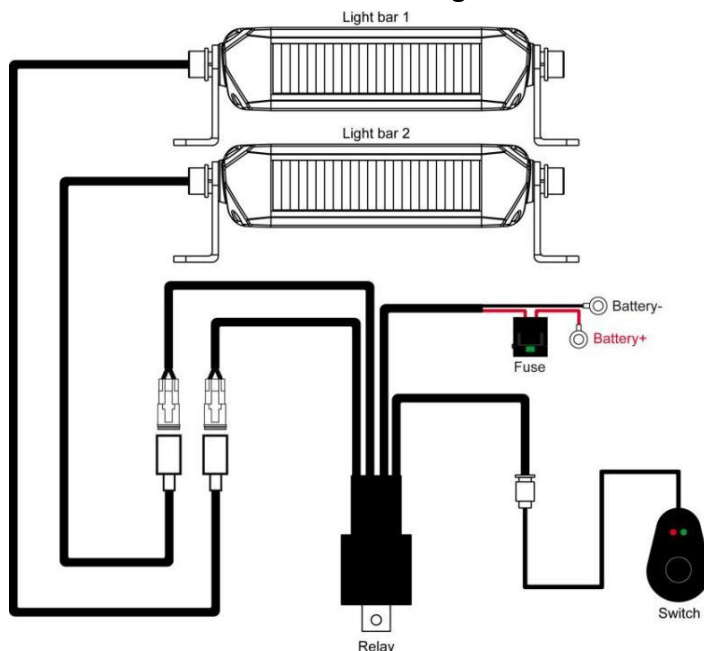
Dimensions: mm

MOUNTING INSTALL INSTRUCTION

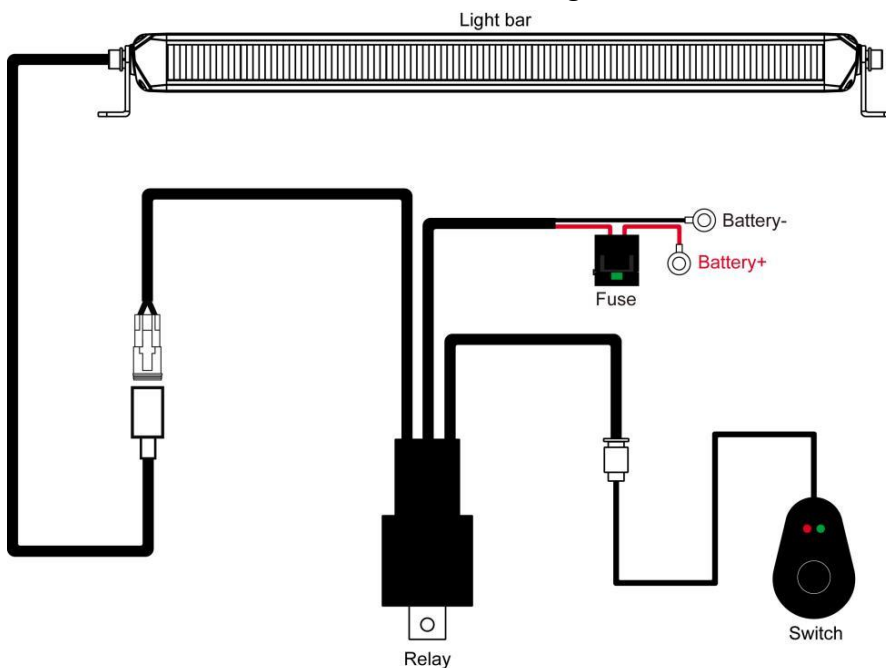


INSTALL INSTRUCTION

For Two 6" or 10" Light Bars



For One 6", 10" or 20" Light Bar



1. Determine suitable mounting locations to install the LED light bars, wiring harness and switch. Once all mounting locations are confirmed, connect the wires as shown above. Proper insulation at connections is required.
2. Connect positive and negative wire properly. Press the switch button to test if the lights are functioning properly.
3. Adjust the light to the desired angle and then secure by tightening all mounting screws.