

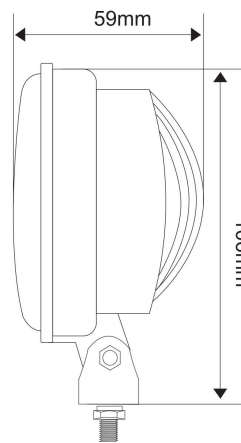
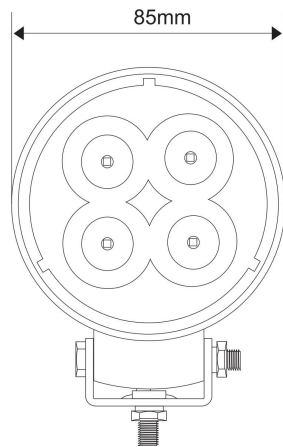
### WHAT'S INCLUDED:

- 1 X LED Work Light
- 1 X U Mount Bracket
- Mounting Hardware

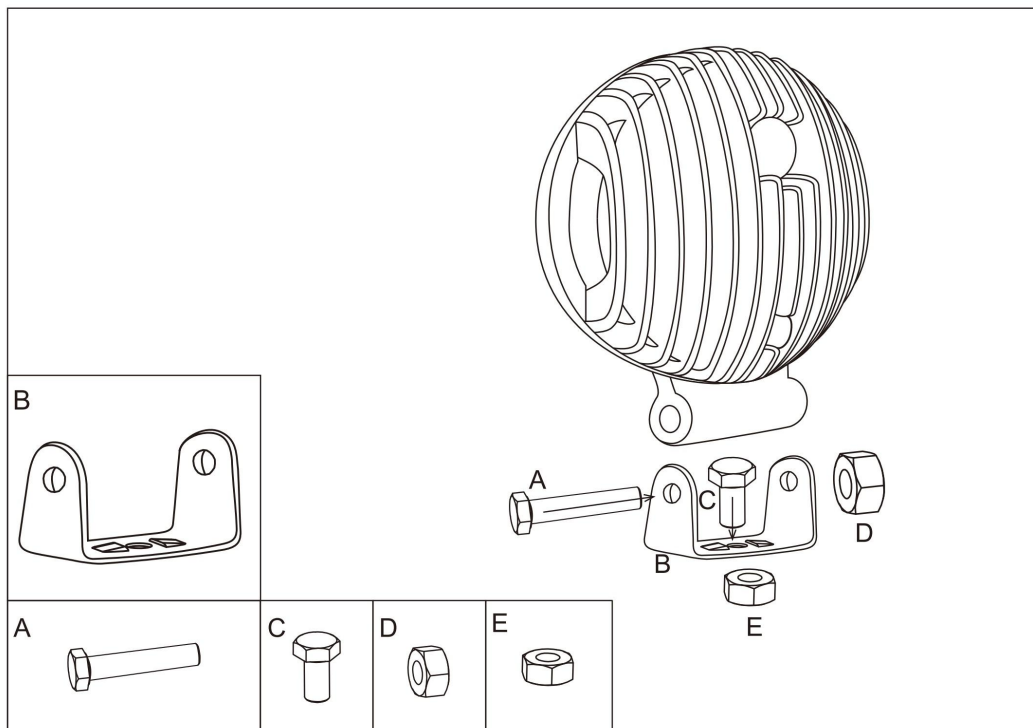
### FEATURES & SPECIFICATIONS:

- Light Output: 947 Lumens
- Power: 12W @ 13.6V DC
- Current: 0.9A @ 13.6V DC
- Voltage: 10 - 36V DC
- Beam Pattern: Spot Beam

## 3" ROUND WORK LIGHT SPOT BEAM CLDWL09

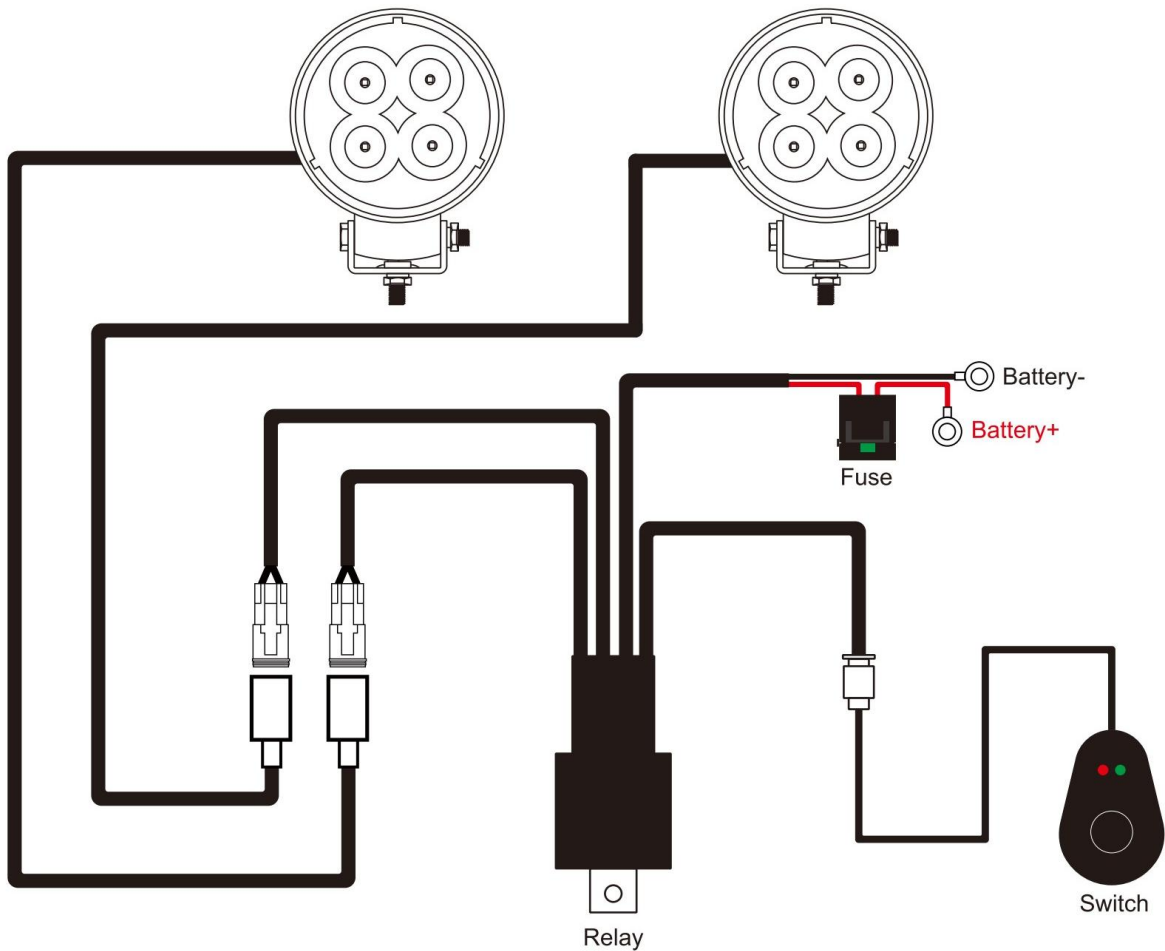


### MOUNTING BRACKET INSTALL INSTRUCTION



## HARNES INSTALL INSTRUCTION

---



Wiring Harness sold separately

1. Determine and suitable mounting locations to install the LED work lights, wiring harness and switch. Once all mounting locations are confirmed, connect the wires as shown above. Proper insulation at connections is required.
2. Connect positive wire and negative wire properly. Press the switch to test if the lights are functioning properly.
3. Adjust the light to the desired angle and then secure by tightening all mounting screws.