

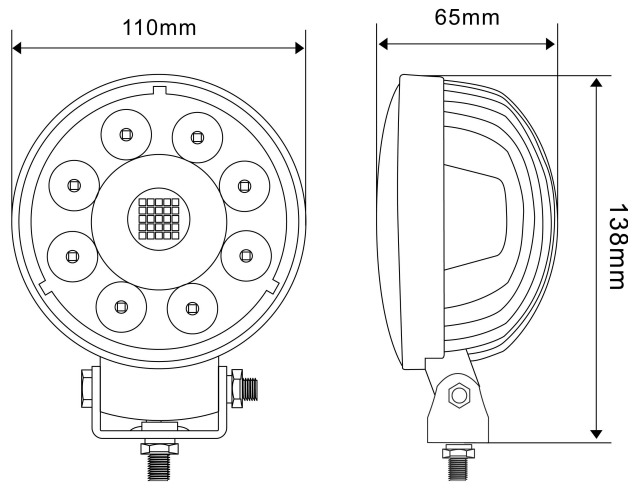
### WHAT'S INCLUDED:

- 1 X LED Work Light
- 1 X U Mount Bracket
- Mounting Hardware

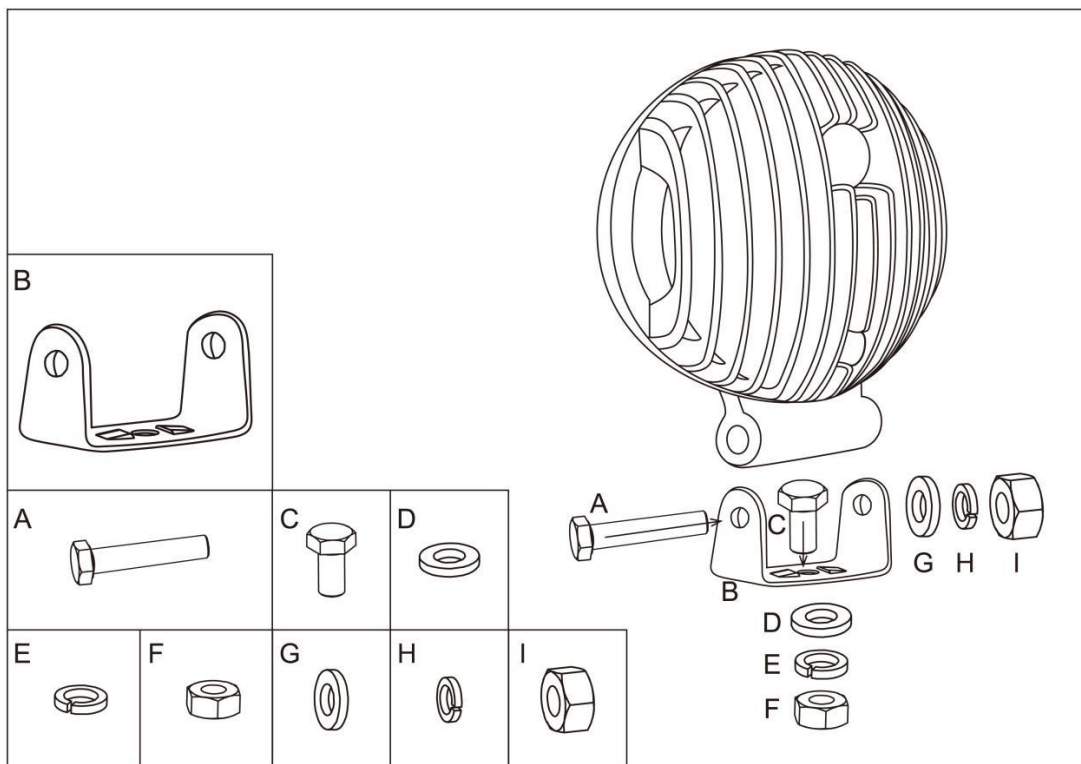
## 4" ROUND WORK LIGHT WIDE FLOOD BEAM CLDWL07

### FEATURES & SPECIFICATIONS:

- Light Output: 2,863 Lumens
- Power: 28W @ 13.6V DC
- Current: 2.0A @ 13.6V DC
- Voltage: 10 - 36V DC
- Beam Pattern: Wide Flood Beam

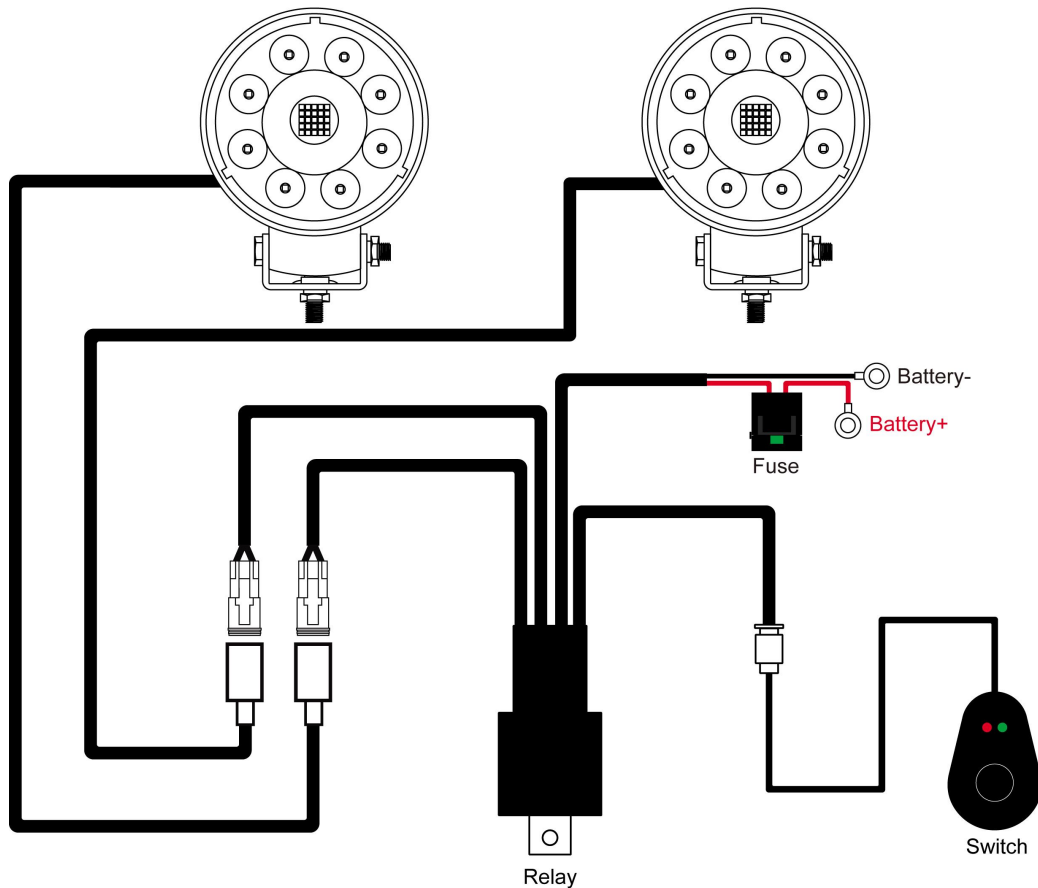


### MOUNTING BRACKET INSTALL INSTRUCTION



## HARNESS INSTALL INSTRUCTION

---



Wiring Harness sold separately

1. Determine and suitable mounting locations to install the LED work lights, wiring harness and switch. Once all mounting locations are confirmed, connect the wires as shown above. Proper insulation at connections is required.
2. Connect positive wire and negative wire properly. Press the switch to test if the lights are functioning properly.
3. Adjust the light to the desired angle and then secure by tightening all mounting screws.