

WHAT'S INCLUDED:

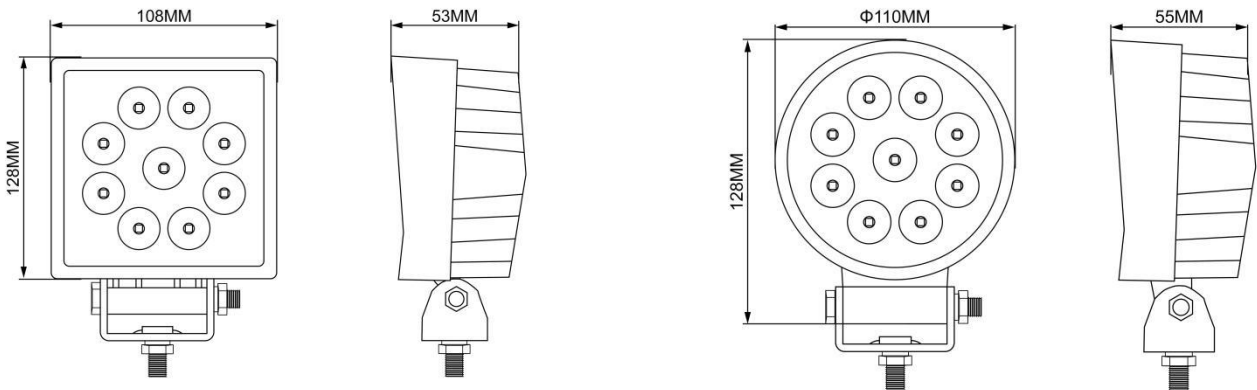
- 1 X LED Work Light
- 1 X U Mount Bracket
- Mounting Hardware

**4.3" SQUARE / ROUND
WORK LIGHT**

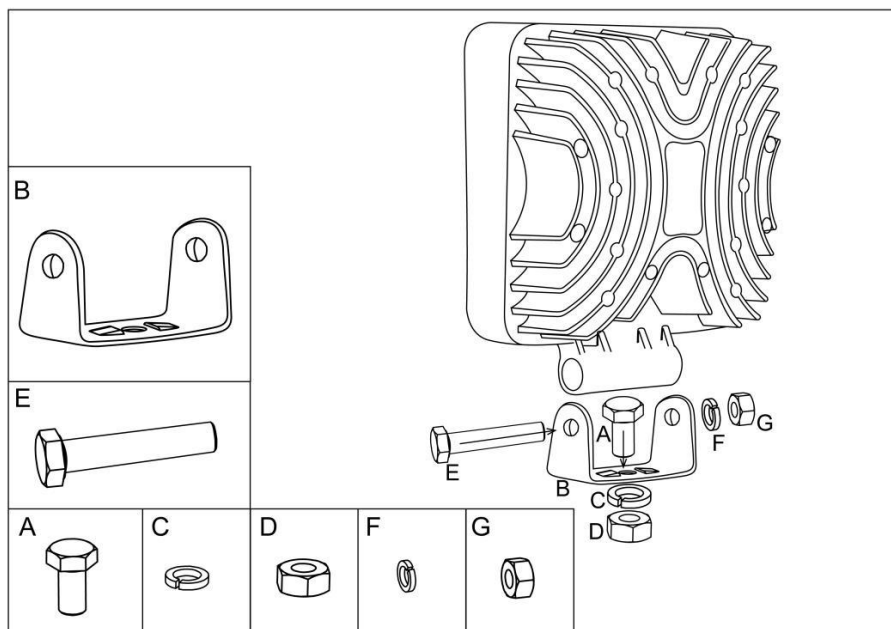
- CLDWL01**
- CLDWL02**
- CLDWL03**
- CLDWL04**

FEATURES & SPECIFICATIONS:

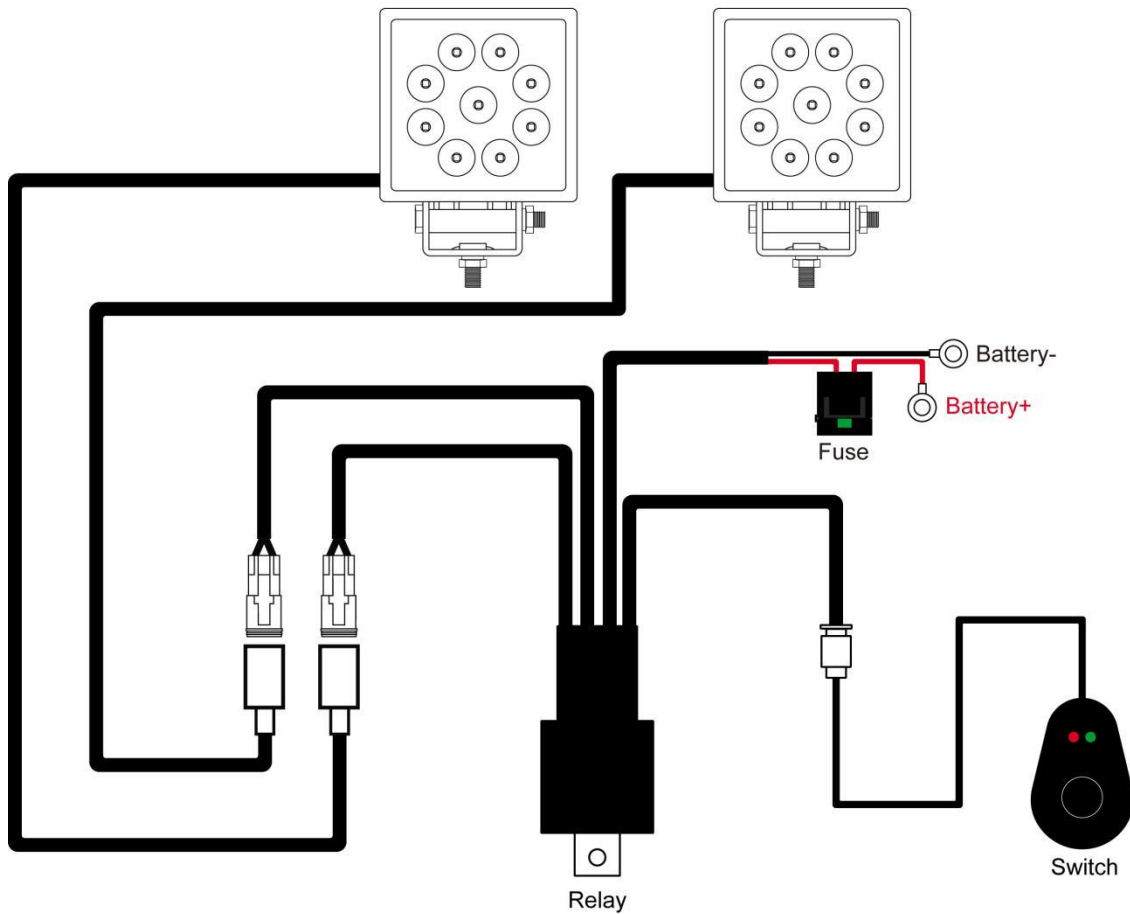
- Light Output: 1,100 Lumens (Per Light)
- Power: 27W @ 13.6V DC
- Current: 2.0A @ 13.6V DC
- Voltage: 10 - 36V DC
- Beam Patterns:
 - Square Flood Beam (CLDWL01)
 - Round Flood Beam (CLDWL02)
 - Square Spot Beam (CLDWL03)
 - Round Spot Beam (CLDWL04)



MOUNTING BRACKET INSTALL INSTRUCTION



HARNES INSTALL INSTRUCTION



Wiring Harness sold separately

1. Determine and suitable mounting locations to install the LED work lights, wiring harness and switch. Once all mounting locations are confirmed, connect the wires as shown above. Proper insulation at connections is required.
2. Connect positive wire and negative wire properly. Press the switch to test if the lights are functioning properly.
3. Adjust the light to the desired angle and then secure by tightening all mounting screws.