

WHAT'S INCLUDED:

- 1 X LED Pod
- 1 X U Mount Bracket
- Mounting Hardware

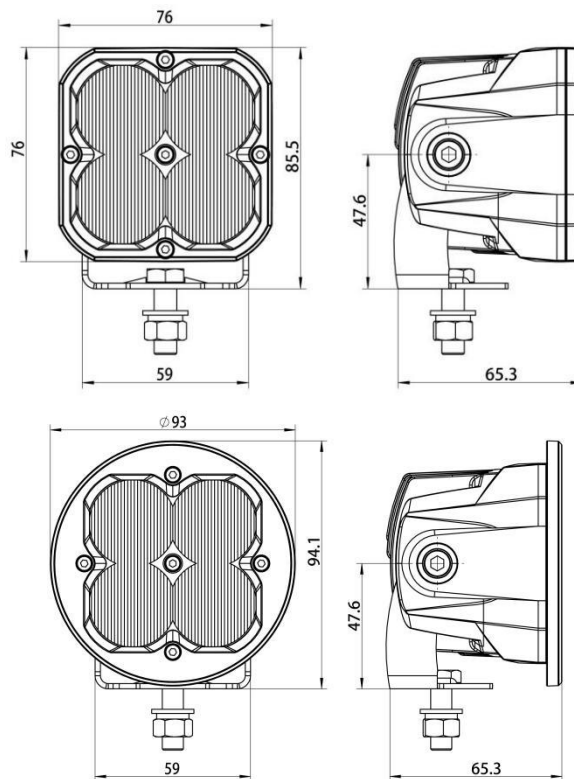
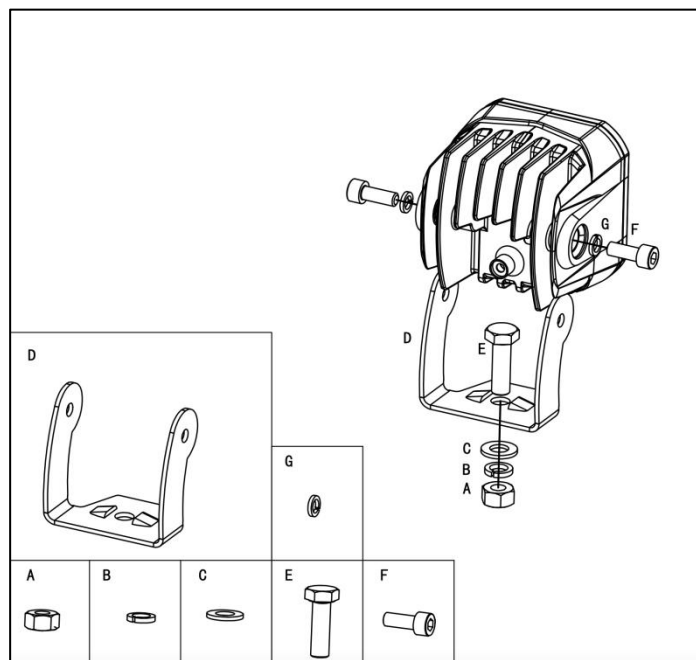
STREET LEGAL 3" CUBE POD LIGHT

CLDPCHB
CLDPRHB
CLDPCFG
CLDPRFG
CLDPCFGY
CLDPRFGY
CLDPCFL

FEATURES & SPECIFICATIONS:

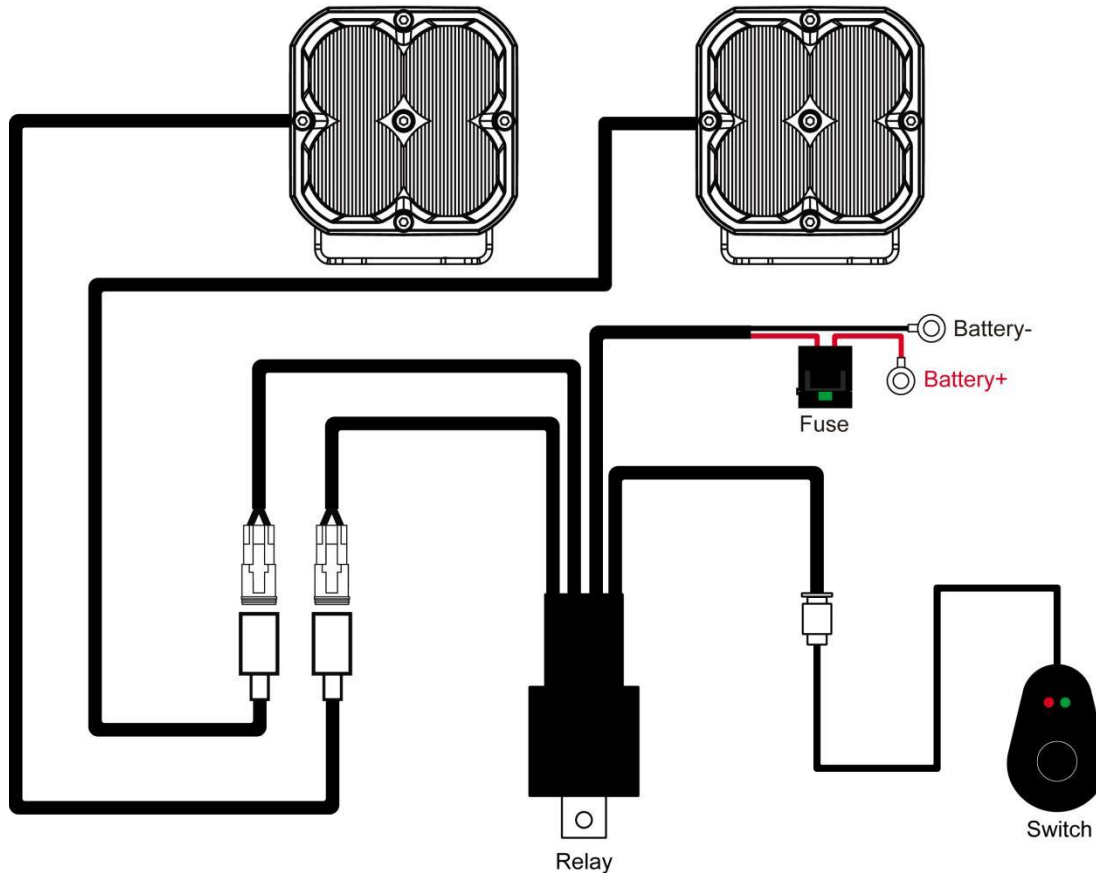
- Light Output: 620-1,434 Lumens
- Power: 20W @ 13.6V DC
- Current: 1.5A @ 13.6V DC
- Voltage: 10 - 36V DC
- Beam Pattern & Compliance:
 - Cube / Round Auxiliary High Beam (SAE J581)
 - Cube / Round Fog Light (SAE J583)
 - Cube / Round Fog Light, Yellow Lens
 - Cube Flood Beam

MOUNTING BRACKET INSTALL INSTRUCTION



Dimensions: mm

HARNES INSTALL INSTRUCTION



Wiring Harness sold separately

1. Determine and suitable mounting locations to install the LED Pods, wiring harness and switch. Once all mounting locations are confirmed, connect the wires as shown above. Proper insulation at connections is required.
2. Connect positive wire and negative wire properly. Press the switch to test if the lights are functioning properly.
3. Adjust the light to the desired angle and then secure by tightening all mounting screws.