

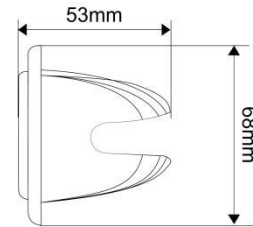
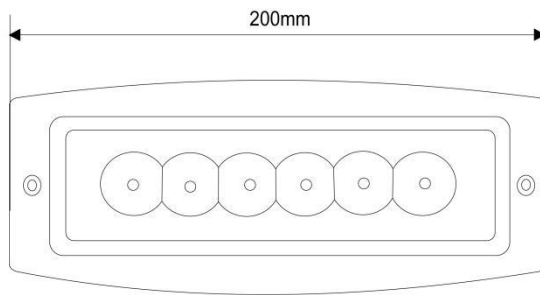
WHAT'S INCLUDED:

- 1 X LED Work Light
- Mounting Hardware

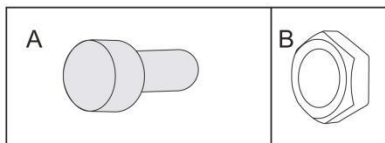
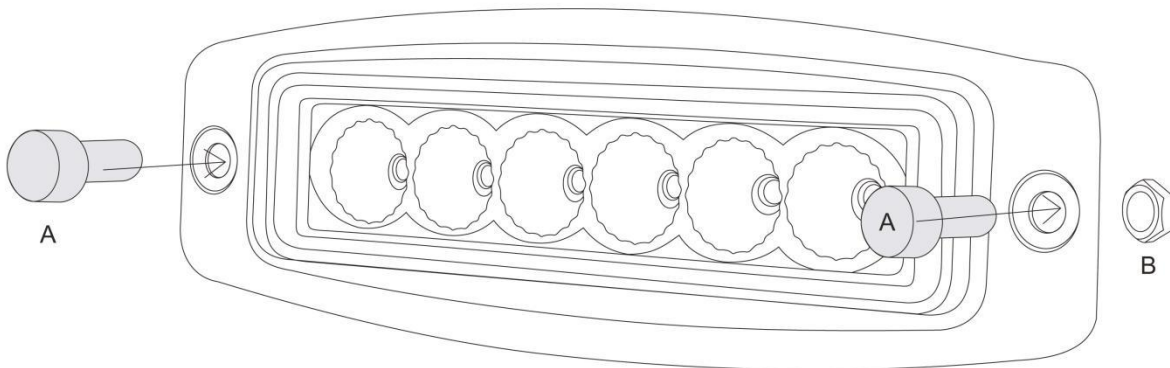
6" SLIM LED LIGHT FLUSH MOUNT FLOOD BEAM CLDMPD6FL

FEATURES & SPECIFICATIONS:

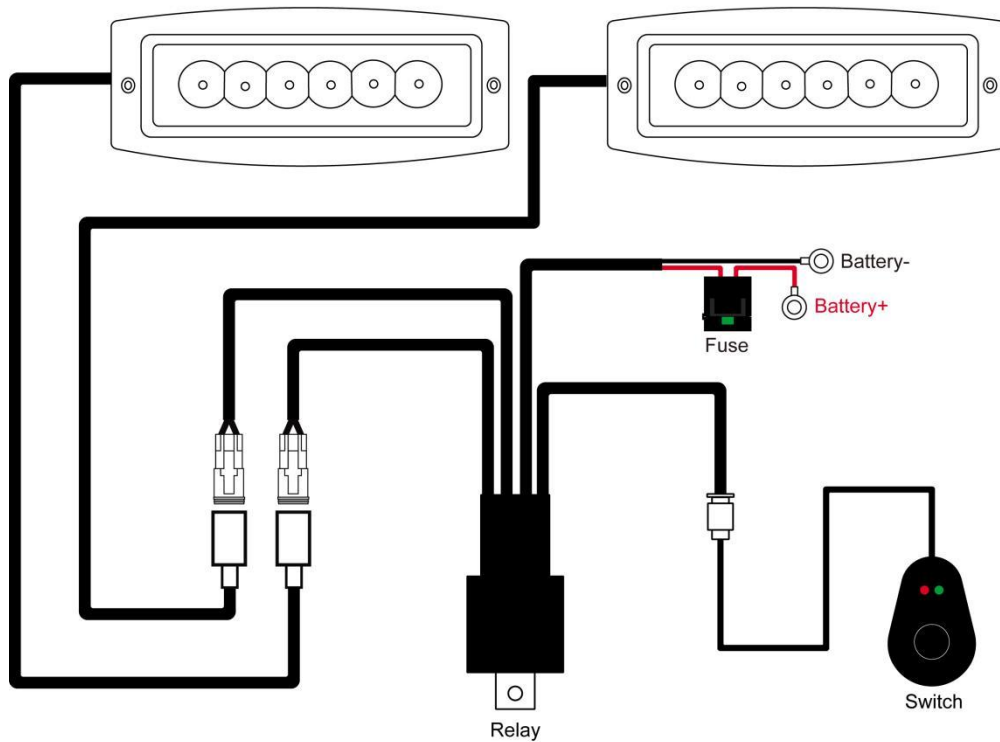
- Light Output: 510 Lumens
- Power: 18W @ 13.6V DC
- Current: 1.3A @ 13.6V DC
- Voltage: 10 - 36V DC
- Beam Pattern: Flood Beam



MOUNTING & WIRING INSTALL INSTRUCTION



INSTALL INSTRUCTION



Wiring Harness sold separately

1. Determine and suitable mounting locations to install the LED work lights, wiring harness and switch.
2. Ensure your mounting surface is flat and allows for the light to go in. Also ensure your surface allows enough room for the depth of the light.
3. Cut out only the hole for the light housing and drill the 2 outside holes.
4. Connect the wires as illustrated in page 1. Proper insulation at connections is required. Connect positive and negative wire properly. Press the switch to test if the lights are functioning properly.