

### WHAT'S INCLUDED:

- 1 X Light Bar
- Side and Bottom Mount Brackets & Hardware

## STREET LEGAL LIGHT BAR

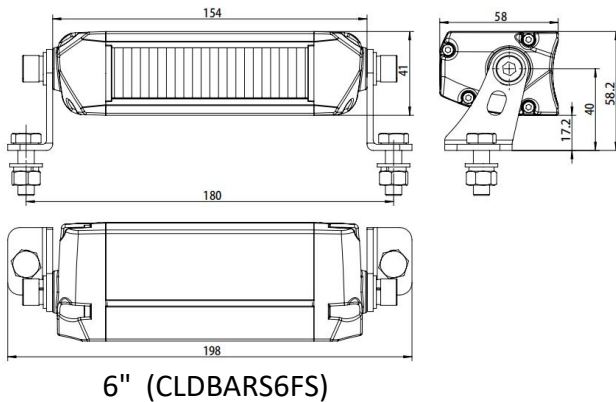
### FOG + STROBE

#### CL DBARS6FS

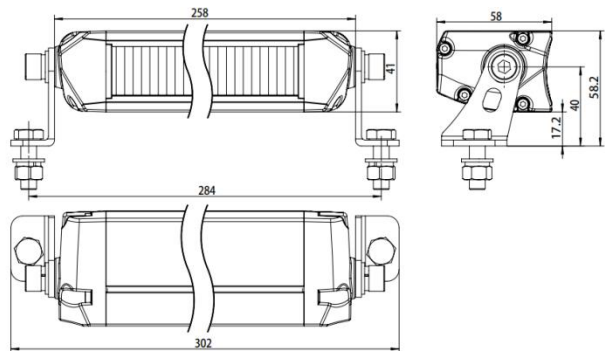
#### CLDBARS10FS

### FEATURES & SPECIFICATIONS:

- Light Output: 718+343 Lumens (CLDBARS6FS)  
1,430+680 Lumens (CLDBARS10FS)
- Power: 32W @ 13.6V DC (CLDBARS6FS)  
64W @ 13.6V DC (CLDBARS10FS)
- Voltage: 10 - 36V DC
- Beam Pattern & Compliance:  
Fog Light (SAE J583)  
Strobe (3 Flash Patterns)



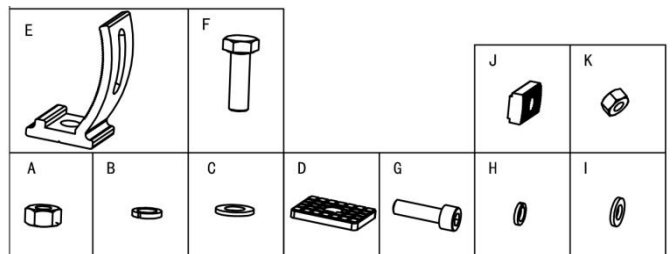
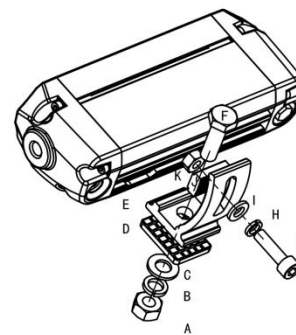
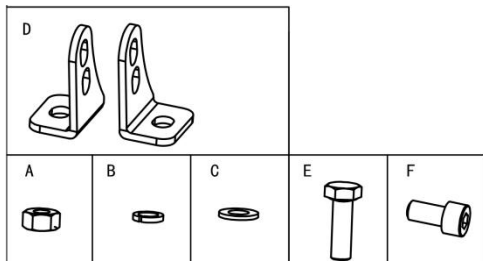
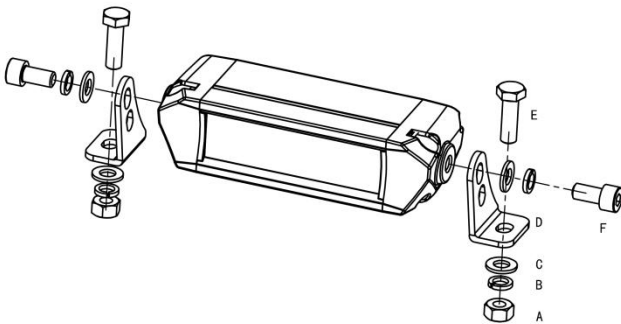
6" (CLDBARS6FS)



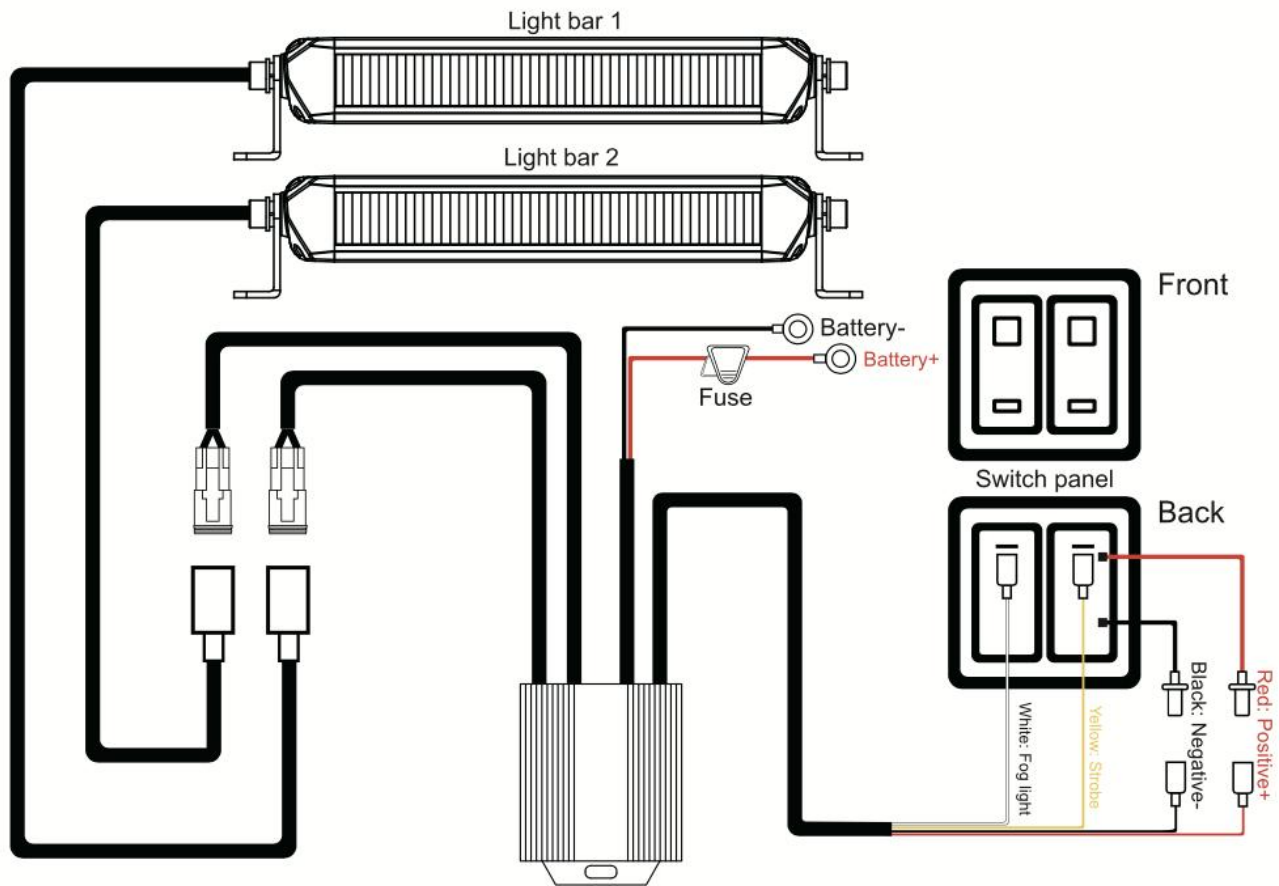
10" (CLDBARS10FS)

Dimensions: mm

### MOUNTING INSTALL INSTRUCTION



## INSTALL INSTRUCTION



Wiring harness with 1 DT 3-Pin connector  
(CLDWH13 sold separately)

Or Wiring harness with 2 DT 3-Pin connectors  
(CLDWH23 sold separately)

1. Determine suitable mounting locations to install the LED light bars, wiring harness and switch panel. Once all mounting locations are confirmed, connect the wires as shown above. Proper insulation at connections is required.
2. Connect positive and negative wire properly. Press the switch buttons to test if each mode is functioning properly.
3. Adjust the light to the desired angle and then secure by tightening all mounting screws.
4. There are 3 flash patterns available: Hyper Burst, Quick Strobe and Slow Strobe.
5. Turn the strobe light off for at least 2 seconds, then quickly turn the strobe switch ON-OFF-ON and the strobe light will switch to next pattern.
6. Memory function: the last running strobe mode is automatically saved as the default strobe one.