

## HIGH POWER DUAL ROW LIGHT BAR

CLDBAR12D / CLDBAR20D / CLDBAR30D /  
CLDBAR40D / CLDBAR50D / CLDBAR20DC /  
CLDBAR30DC / CLDBAR40DC / CLDBAR50DC

### WHAT'S INCLUDED (STRAIGHT BAR):

- 1 x LED Light Bar
- Side and Bottom Mounting Brackets & Hardware

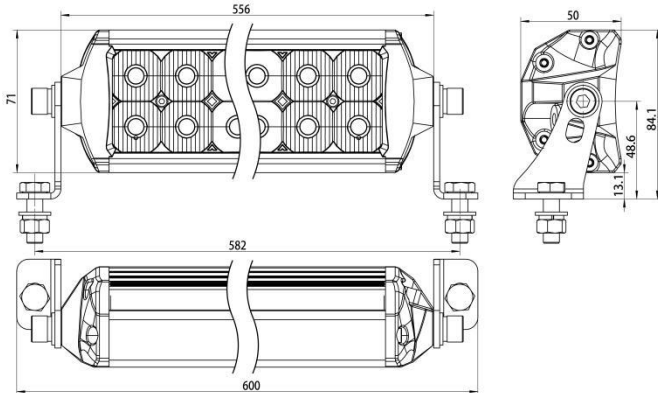
### WHAT'S INCLUDED (CURVED BAR):

- 1 x LED Light Bar
- Side Mounting Brackets & Hardware

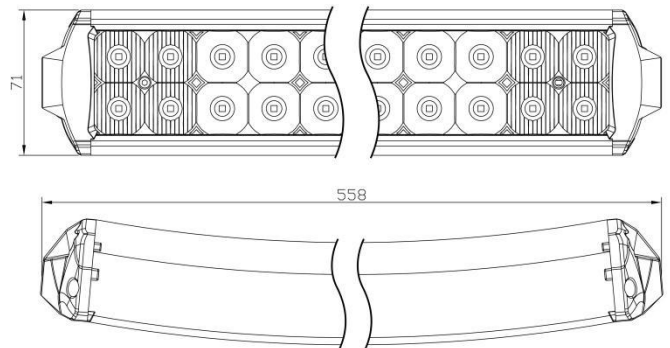
### FEATURES & SPECIFICATIONS:

- Light Output: 4,720 - 18,940 Lumens
- LEDs: OSRAM P8
- Power: 120W - 600W @ 13.6V DC
- Voltage: 10 - 36V DC
- Optional Length:  
12", 20", 30", 40" and 50" for Straight Bars  
20", 30", 40" and 50" for Curved Bars
- Beam Pattern: Spot/Flood Combo

20" Straight Light Bar (For Example)



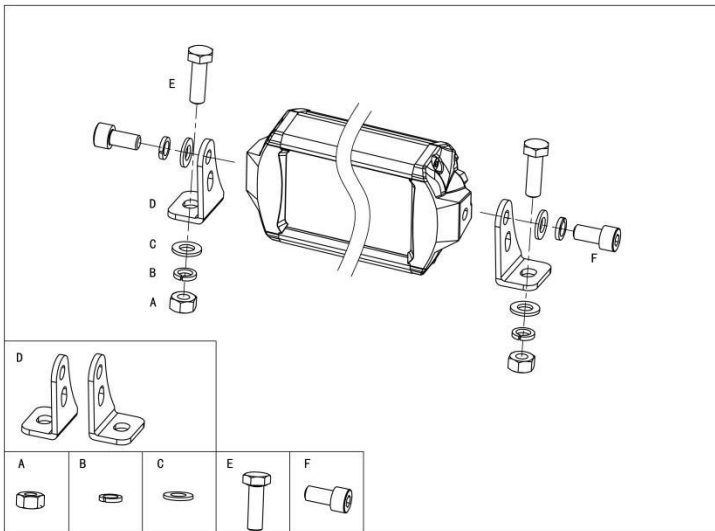
20" Curved Light Bar (For Example)



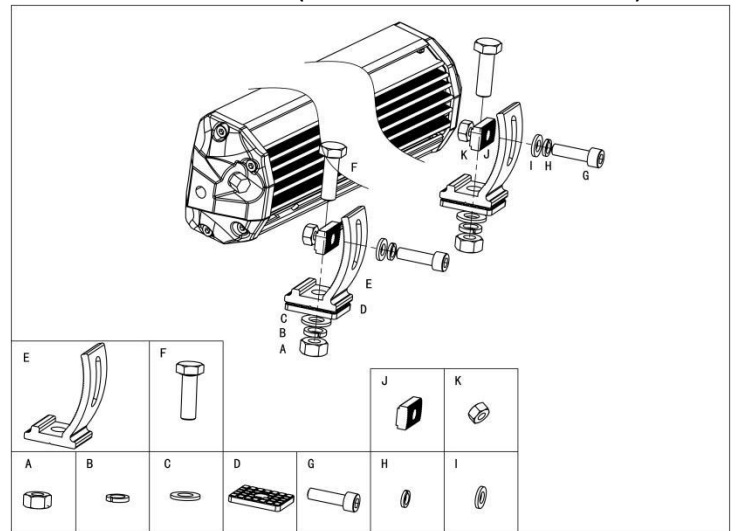
Dimensions: mm

## MOUNTING INSTALL INSTRUCTION

Side Mounts



Bottom Mounts (ONLY FOR STRAIGHT BAR)

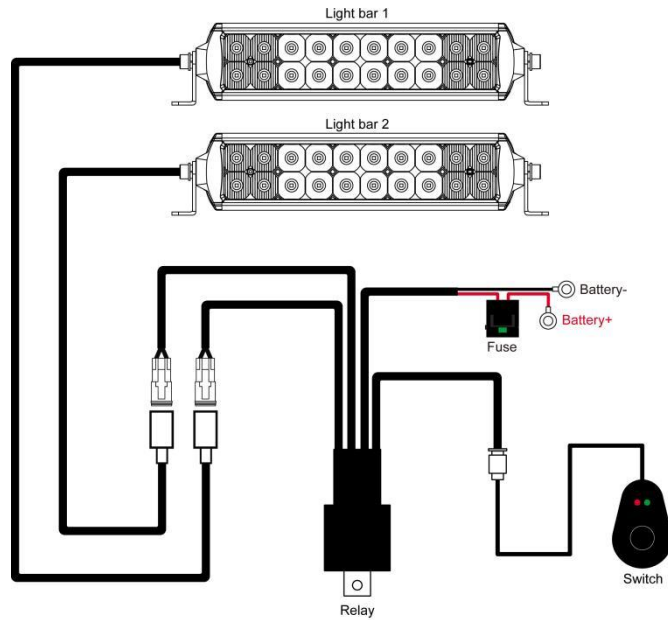


CLDBAR12D / CLDBAR20D / CLDBAR30D / CLDBAR40D / CLDBAR50D  
/ CLDBAR20DC / CLDBAR30DC / CLDBAR40DC / CLDBAR50DC

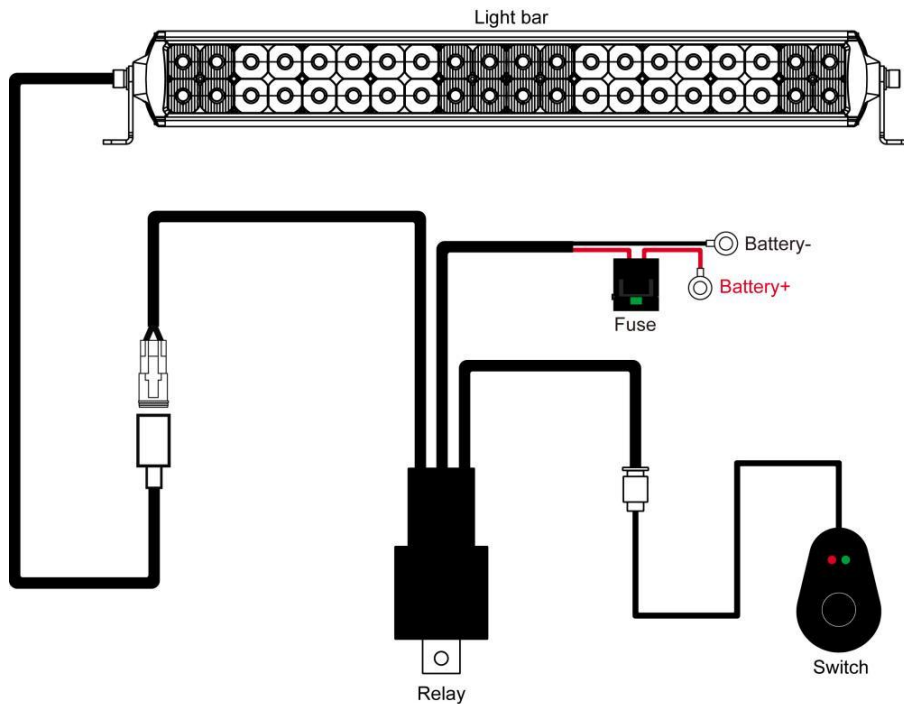
CLDLED.COM

# INSTALL INSTRUCTION

## For Two 12" Light Bars



## For One 12", 20", 30", 40" or 50" Light Bar



1. Determine the appropriate mounting locations to install the LED light bars, wiring harness and switch. Once all mounting locations are confirmed, connect the wires as shown above. Proper insulation at connections is required.
2. Connect positive wire and negative wire properly. Press the switch to test if the lights are working properly.
3. Adjust the light to the desired angle and then secure by tightening all mounting screws.