

SLIM SINGLE ROW LIGHT BAR

CLDBAR12 / CLDBAR20 / CLDBAR30 / CLDBAR40 /
CLDBAR50 / CLDBAR20C / CLDBAR30C /
CLDBAR40C / CLDBAR50C

WHAT'S INCLUDED (STRAIGHT BAR):

- 1 x LED Light Bar
- Side and Bottom Mounting Brackets & Hardware

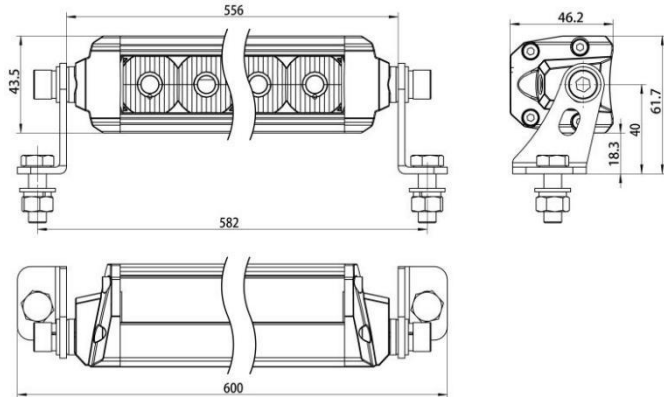
WHAT'S INCLUDED (CURVED BAR):

- 1 x LED Light Bar
- Side Mounting Brackets & Hardware

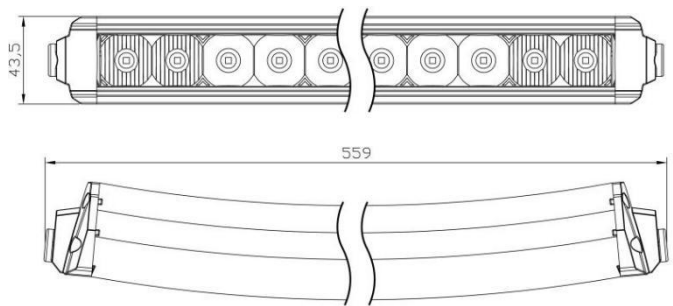
FEATURES & SPECIFICATIONS:

- Light Output: 3,220 - 14,230 Lumens
- LEDs: OSRAM P8
- Power: 60W - 300W @ 13.6V DC
- Voltage: 10 - 36V DC
- Optional Length:
12", 20", 30", 40" and 50" for Straight Bars
20", 30", 40" and 50" for Curved Bars
- Beam Pattern: Spot/Flood Combo

20" Straight Light Bar (For Example)



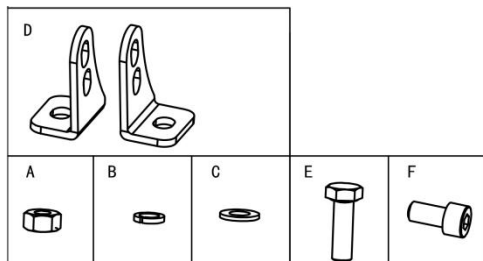
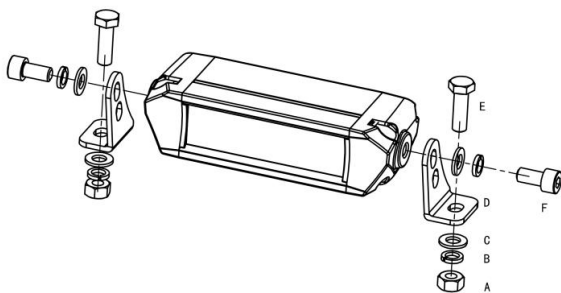
20" Curved Light Bar (For Example)



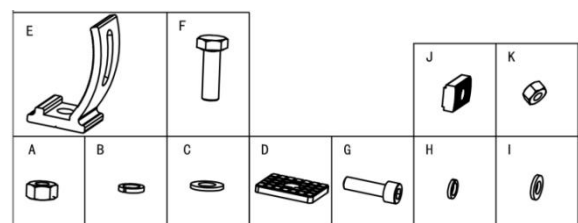
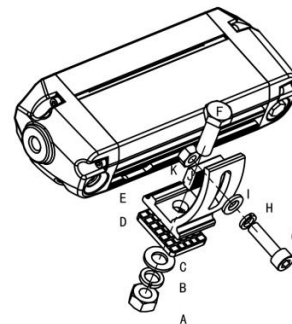
Dimensions: mm

MOUNTING INSTALL INSTRUCTION

Side Mounts

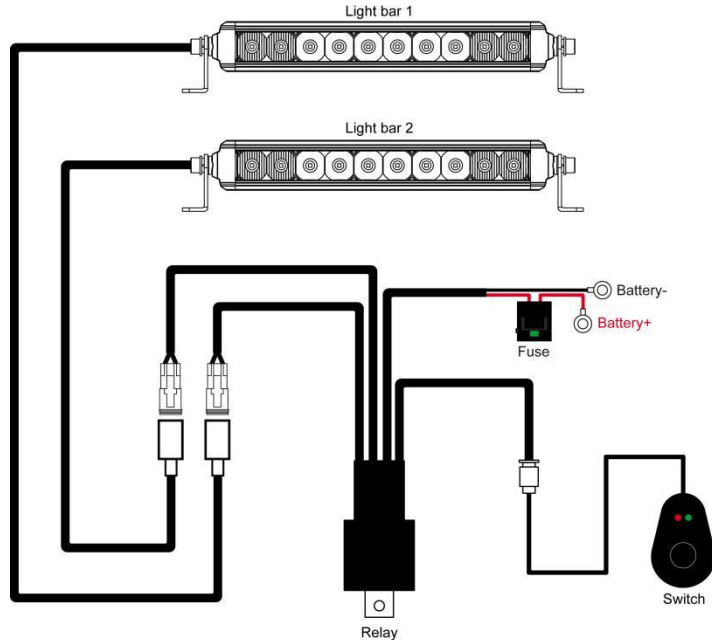


Bottom Mounts (ONLY FOR STRAIGHT BAR)

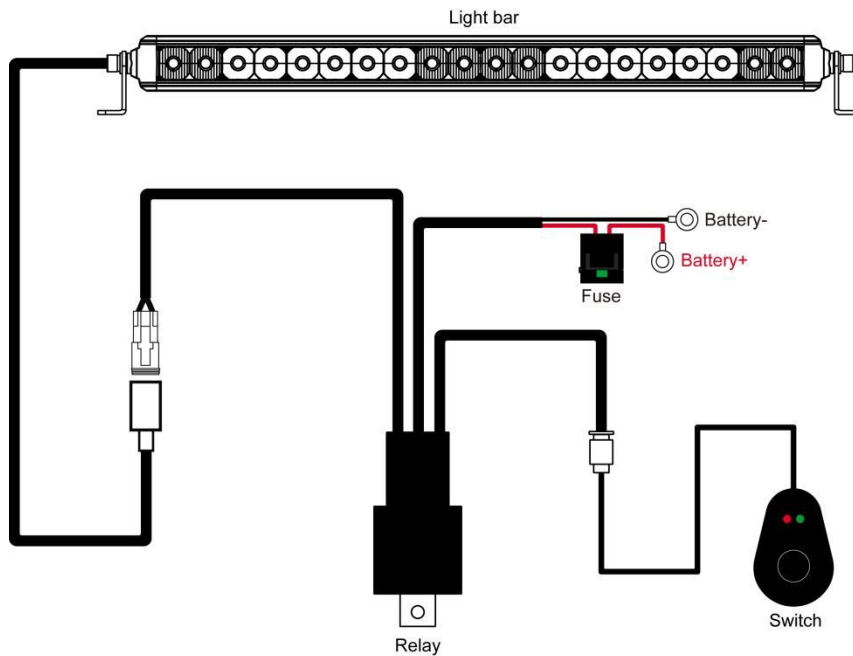


INSTALL INSTRUCTION

For Two 12" Light Bars



For One 12", 20", 30", 40" or 50" Light Bar



1. Determine the appropriate mounting locations to install the LED light bars, wiring harness and switch. Once all mounting locations are confirmed, connect the wires as shown above. Proper insulation at connections is required.
2. Connect positive wire and negative wire properly. Press the switch to test if the lights are working properly.
3. Adjust the light to the desired angle and then secure by tightening all mounting screws.