

XL-4016E1

Datasheet

XL-4016E1 Step-down Converter

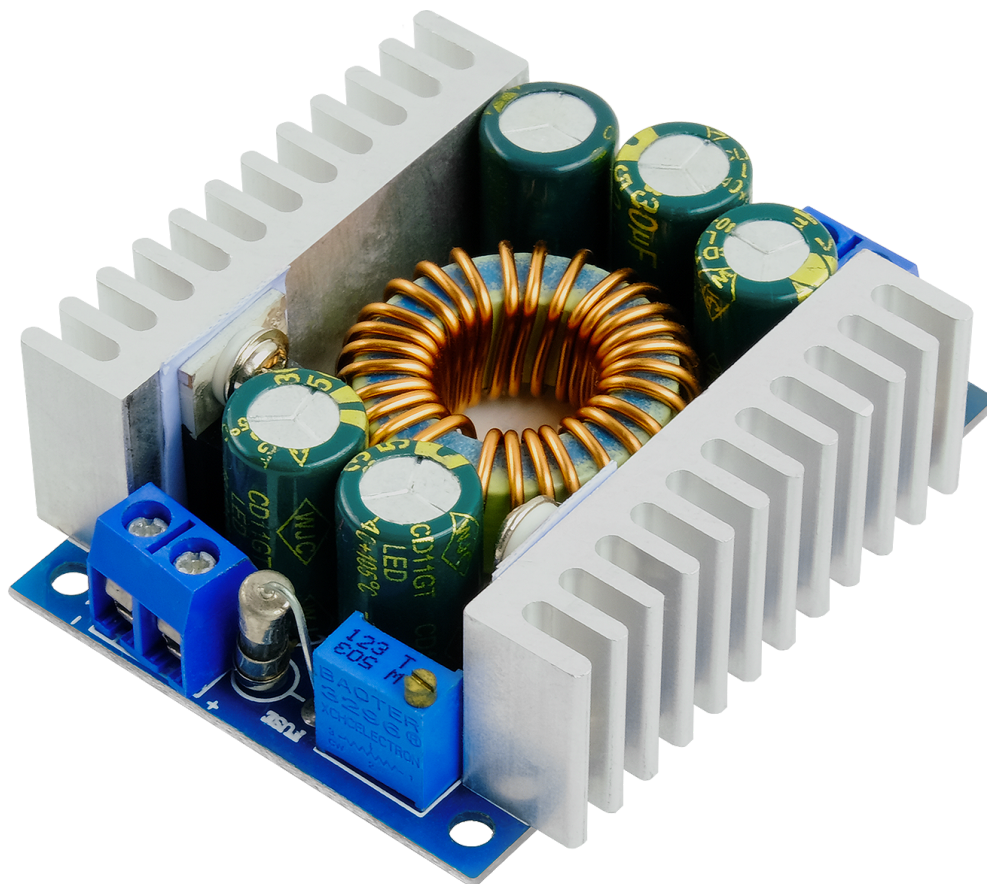


Table of Contents

Specifications	3
Schematic	4

Specifications

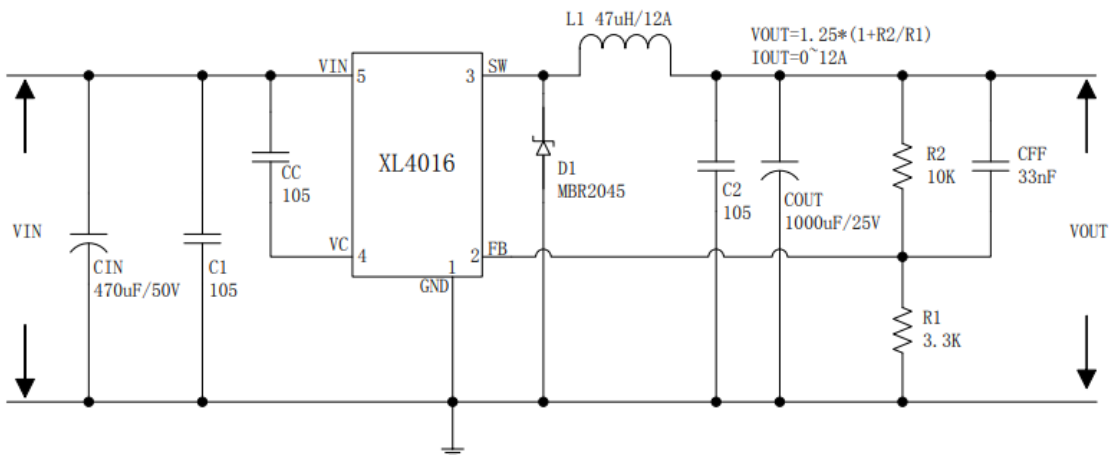
Input Voltage	5 to 40V
Output Voltage	1.2 to 36V (adjusted via trimmer)
Output Current	max 12A(rated 8A, peak 12A)
Output Power	100W (can reach 200W with enhanced cooling)
Switching frequency	300kHz
Efficiency	up to 95%
Dimensions	60x52x20mm
Weight	78g

Features:

- short circuit protection
- overheat protection

Schematic

Typical Application Circuit



VIN=8V~20V, VOUT=5V/9A; VIN=20V~36V, VOUT=5V/12A
Figure4. XL4016 Typical Application Circuit (VIN=8V~36V, VOUT=5V/12A)

Function Block

