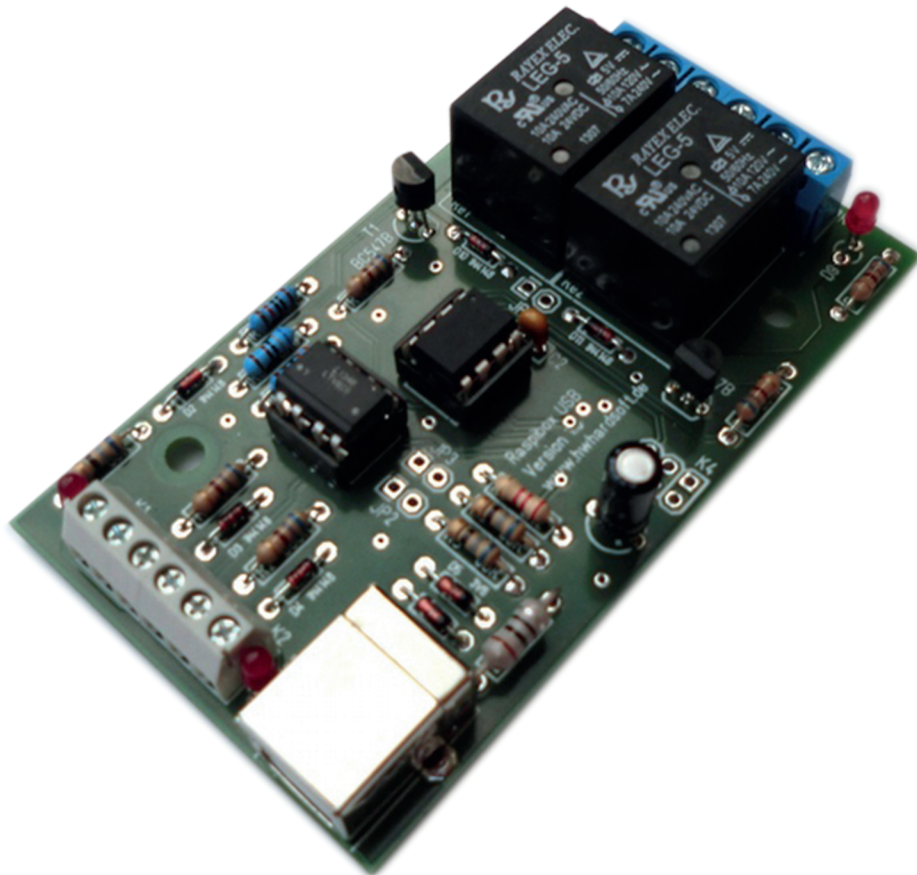


## SimpliBox IO HID Relay IO extension für Linux & Windows PC Datenblatt



## **Contents:**

- 1. Features**
- 2. Applications**
- 3. Outputs**
- 4. Inputs**
- 5. Application example - lamp control**
- 6. Application example - DC motor control**
- 7. Application example - AC motor control for blinds**
- 8. Application example - potential-free contacts**

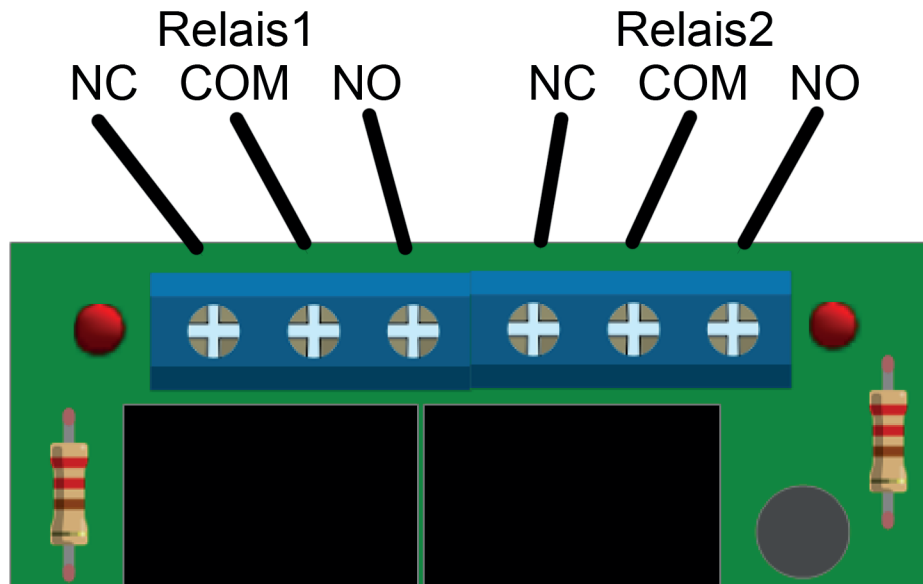
## 1. Features

- HID USB device – no drivers needed
- 2 relay outputs 230V / 2A (NO, NC and COM)
- 2 opto isolated inputs 5...24VDC
- Status LEDs for any input and output
- Open source firmware available
- Sample code for Python (for example for Raspberry Pi) available
- Sample code for .NET for Windows PC available
- No additional power supply needed
- Comes in kit form (THT parts only)
- Fits perfect in an optional 3 module cab rail enclosure

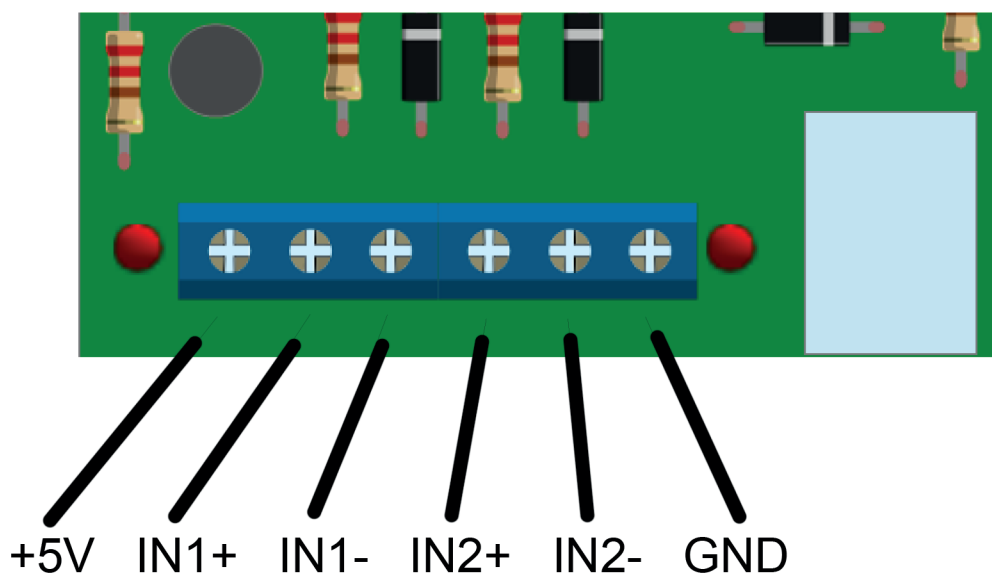
## 2. Applications

- Home automation
- Industrial control
- Door access and door control
- Temperature controls
- Education
- Internet of Things (IoT)

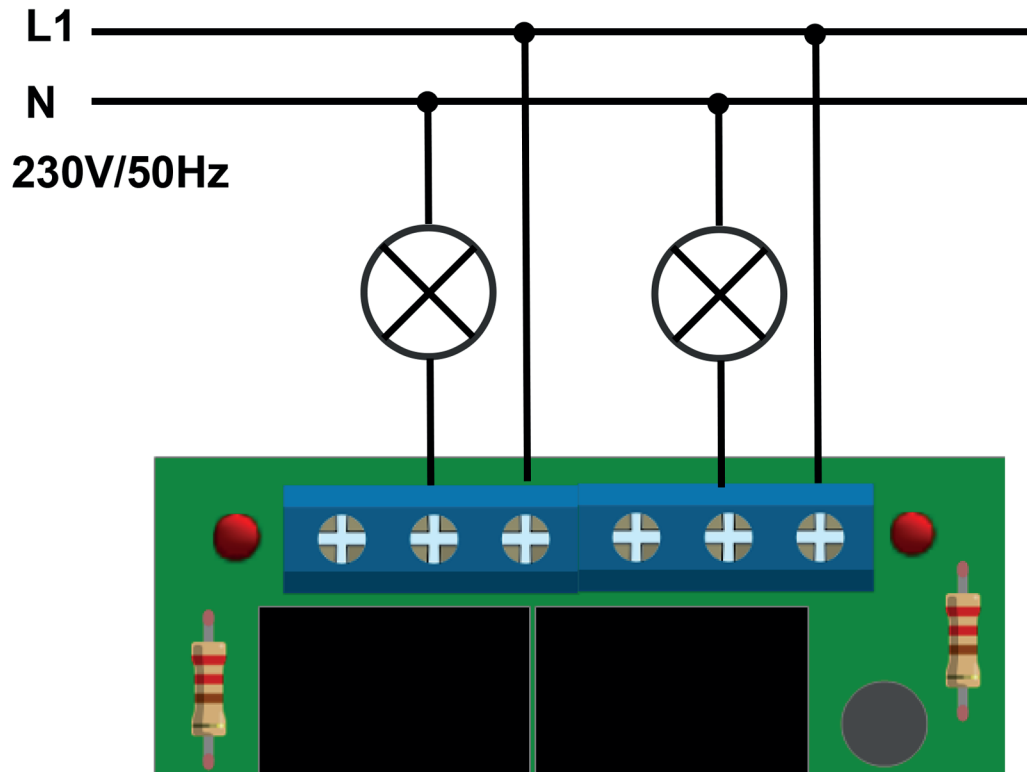
### 3. Outputs



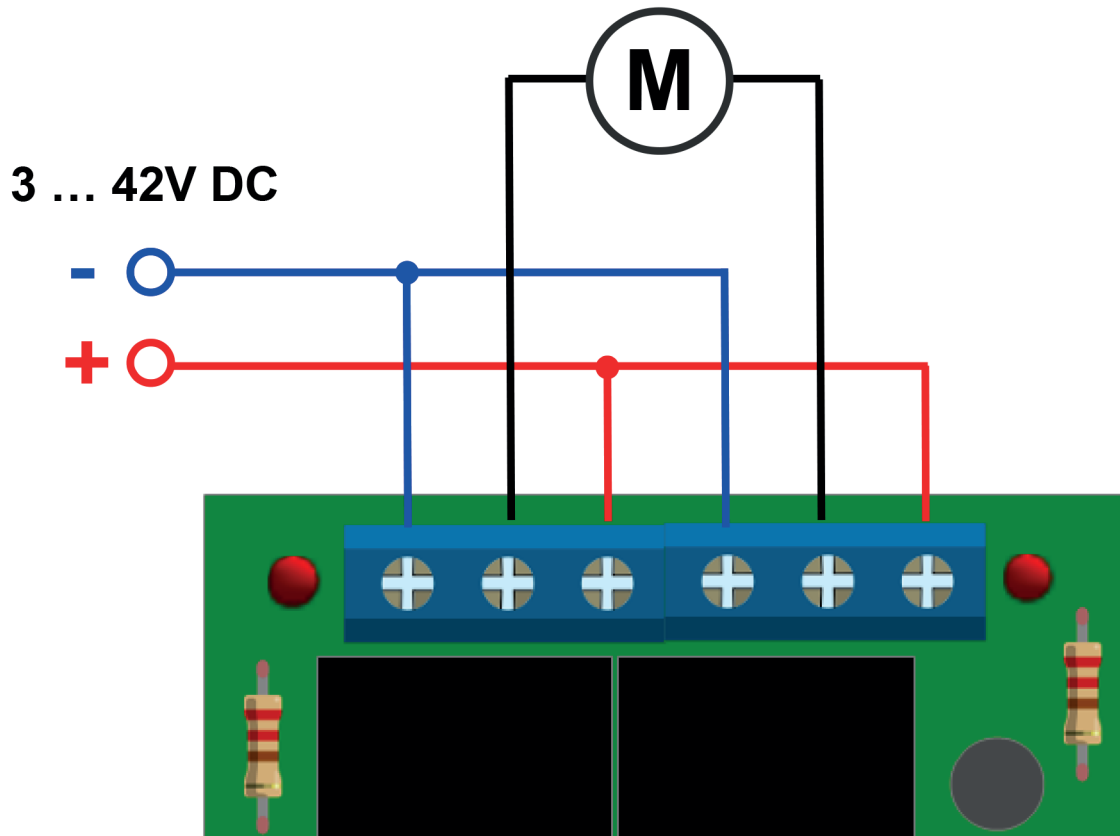
### 4. Inputs



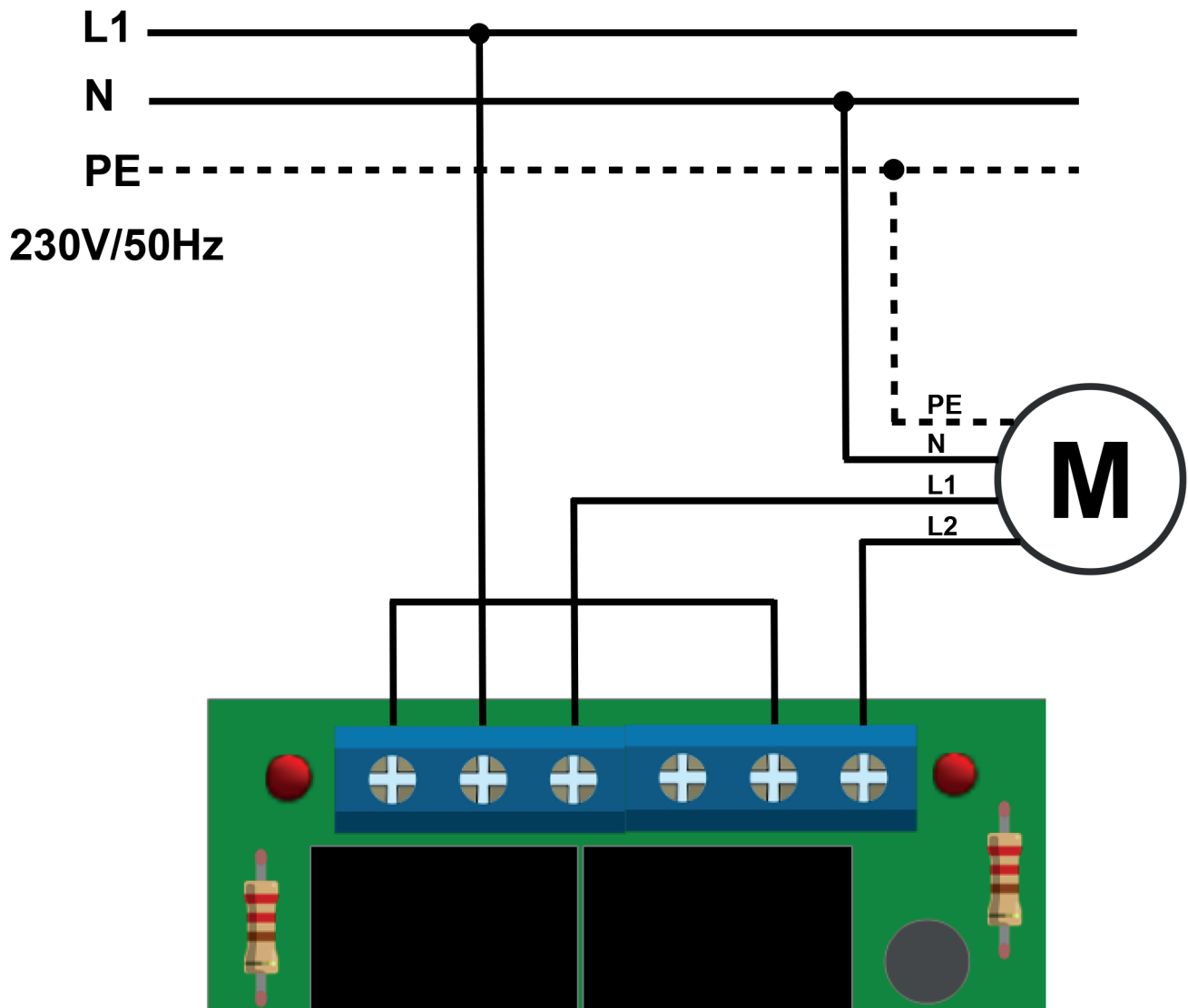
## 5. Application example - lamp control



## 6. Application example – DC motor control



## 7. Application example – AC motor control for blinds



## 8. Application example – potential-free contacts

