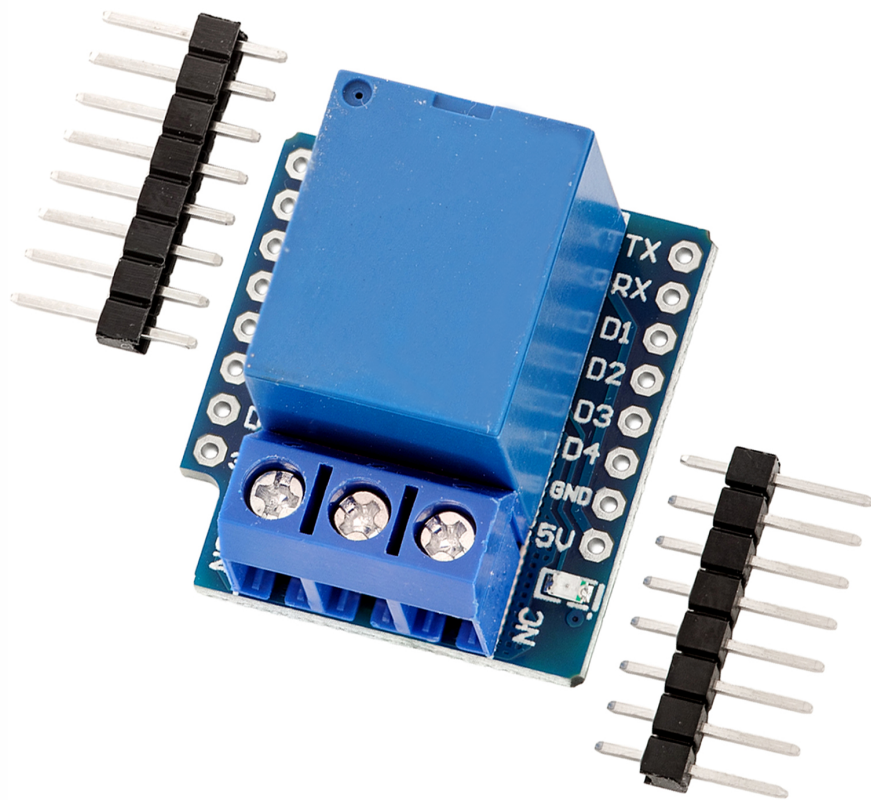


Relais Modul Datenblatt



Contents:

- 1. Description**
- 2. Specifications**
- 3. Pin Configuration**
- 4. Schematic Diagram**
- 5. Wiring Diagram**
- 6. Testing**

1. Description

This Relay Module is perfectly made for Arduino application. It has three pins, the VCC, GND and Signal. It can act as switch if the circuit and the load circuit have different supply voltage. It is commonly use if the load circuit is AC. It is a switch used to connect isolated connection from the circuit using a circuit signal. It has red LED that turns on every time the coil is energized or the signal pin has a high input.

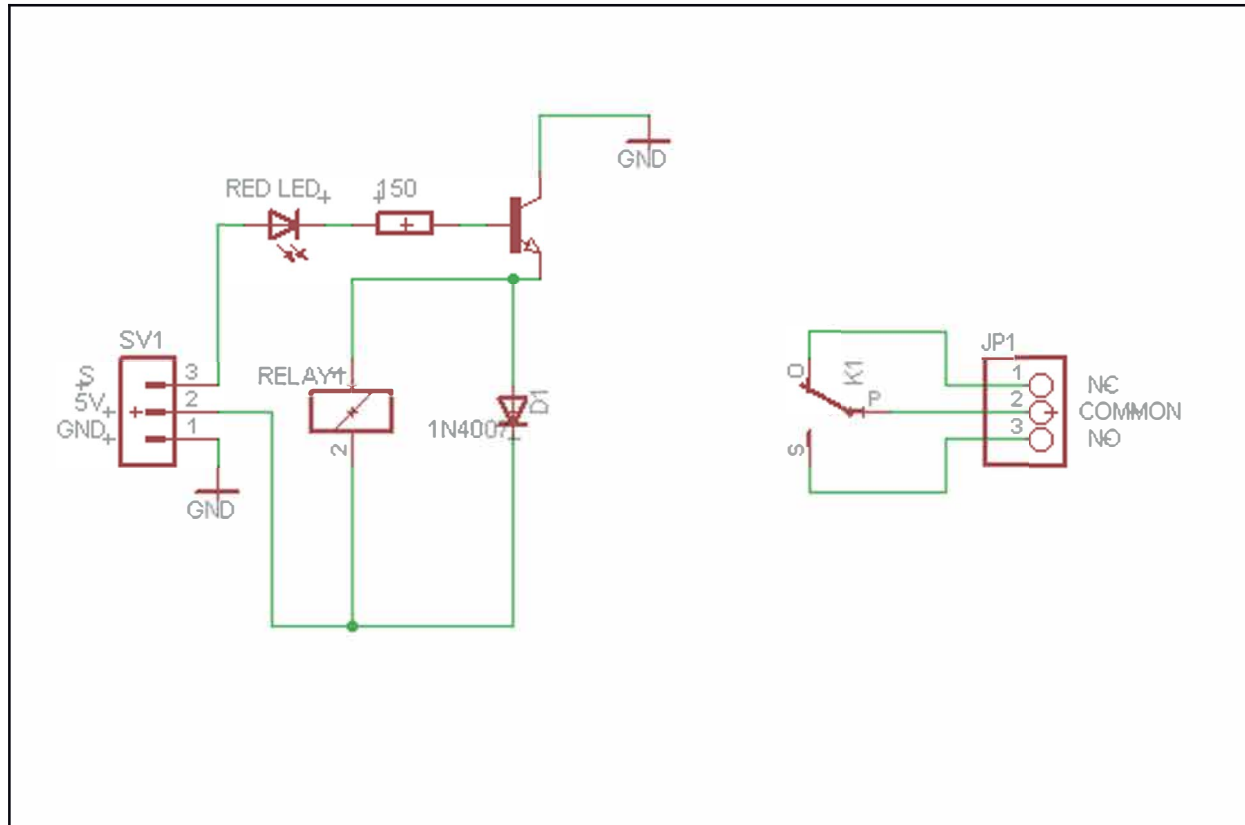
2. Specifications

- Maximum AC current and voltage : 5A 50VAC
- Maximum DC current and voltage : 5A 30VDC
- There is a normally open and one normally closed contact
- To make the coil of relay energized you must need to have an input of 1 in the signal pin.

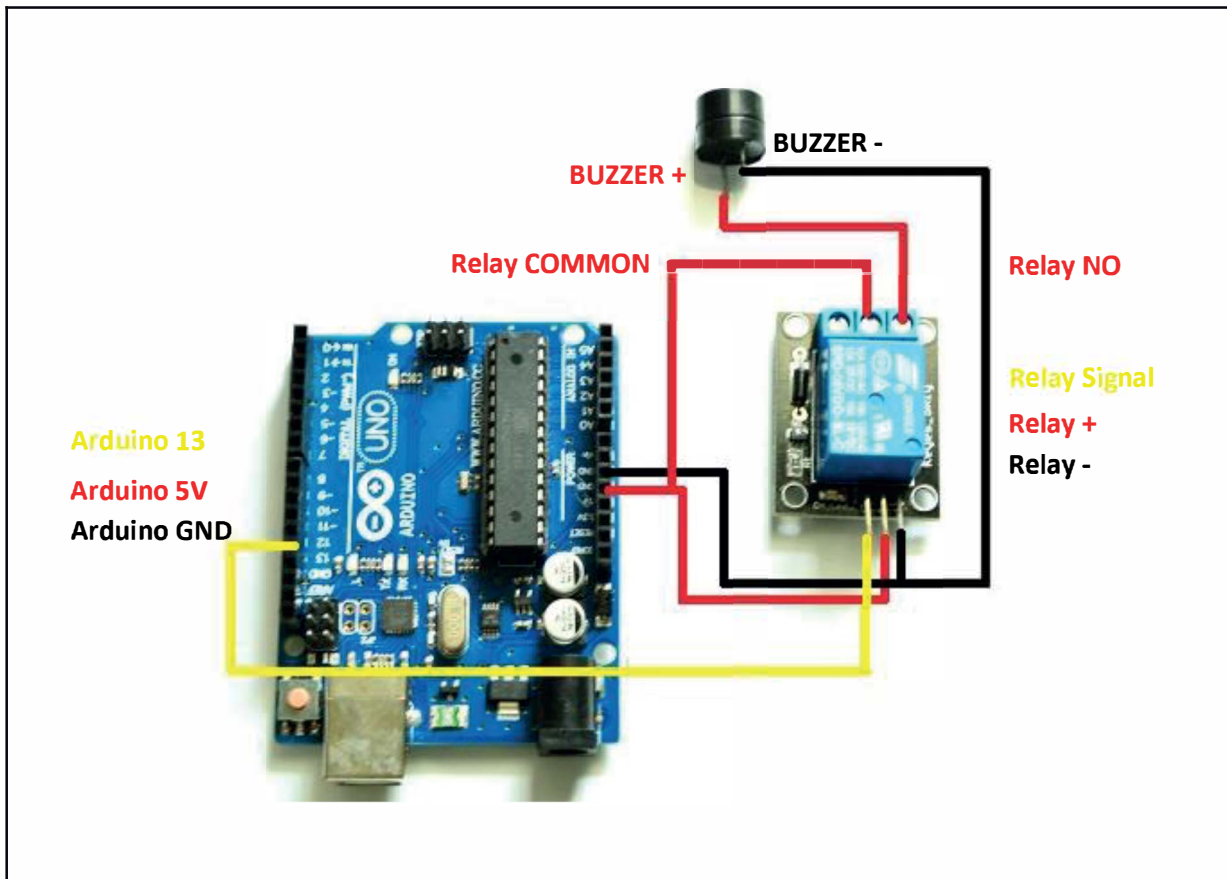
3. Pin Configuration

- + : 5V power supply
- - : Ground
- S : Signal from the Arduino
- NC : normally closed
- NO : normally open
- COMMON : common

4. Schematic Diagram



5. Wiring Diagram



6. Testing

1. Please check all the connections from the given wiring diagram.

2. Type the sample program in your Arduino sketch then upload.

3. The buzzer will turn on every two seconds.

* You can also hear the tick of relay every two seconds.



SAFETY WARNING!

When you are making projects that are connected to mains voltage, you really need to know what you are doing otherwise you may shock yourself. This is a serious topic and we want you to be safe. If you are not 100% sure what you are doing, do yourself a favor and don't touch anything. Ask someone who knows!