

RGB LED Ring WS2812B 12-Bit 37mm Datenblatt



Content:

[1. Specifications](#)

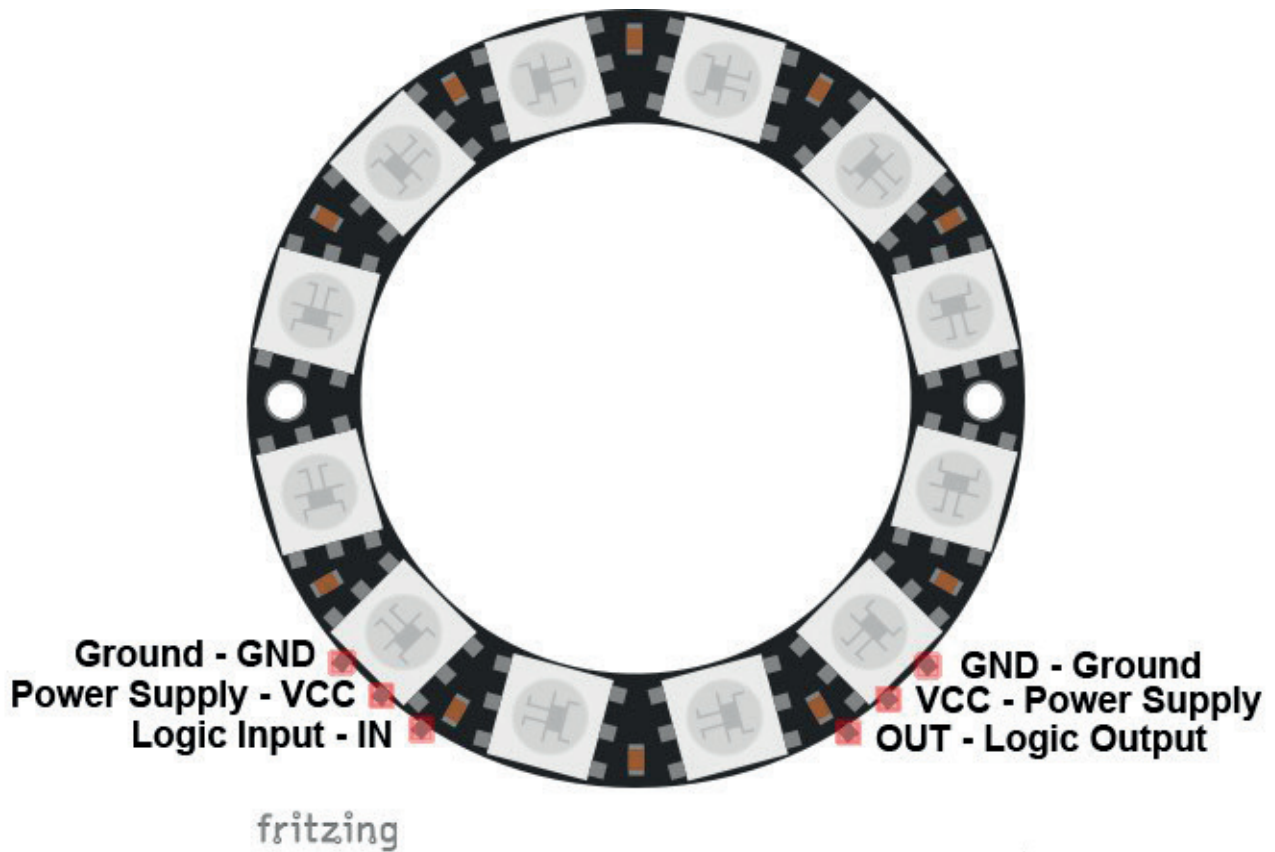
[2. Pinout](#)

[3. Connection Diagram](#)

1. Specifications

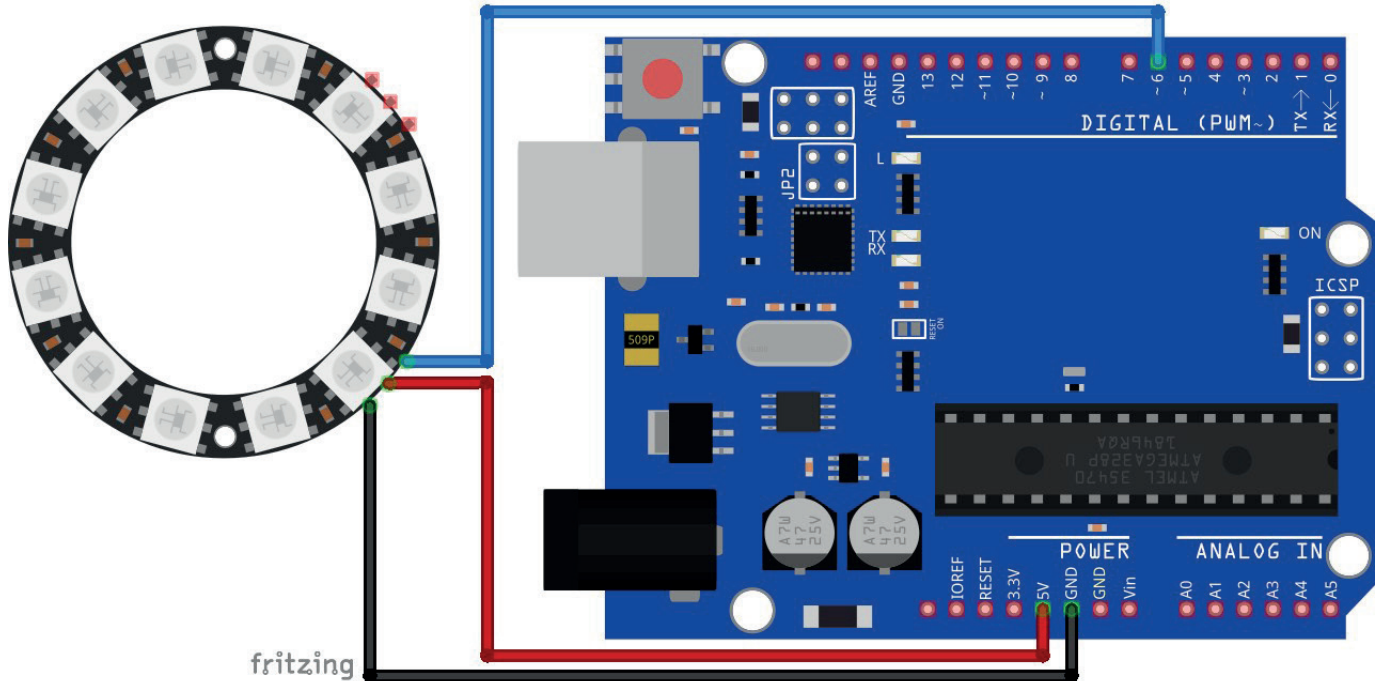
Operating Voltage Range	3.3 - 5V
LEDs	12 LEDs with 4mm Diameter
LEDs Mounting holes	2 with 2mm diameter
Dimensions	Inside diameter: 27mm [1.06in] Outside diameter: 37mm [1.50in]

2. Pinout

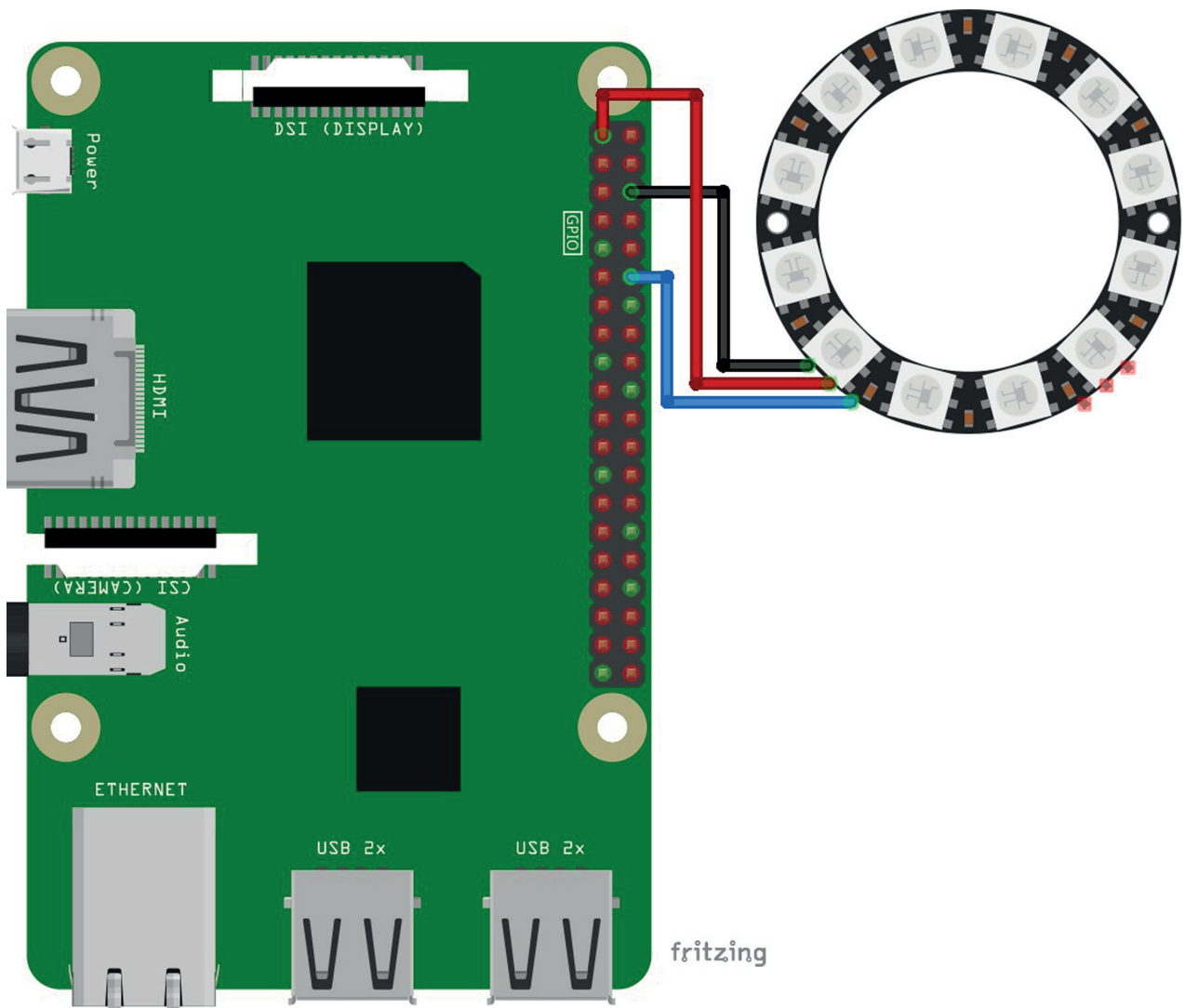


Note: Before connecting the ring to any live (working) power supply, make sure that ground is always connected first, before any other wire.

3. Connection Diagram



Module Pin	Microcontroller Pin	Wire Color
GND	GND	Black Wire
VCC	5V	Red Wire
IN	~6	Blue Wire



Module Pin	Microcontroller Pin	Physical Pin	Wire Color
VCC	3V3	1	Red Wire
GND	GND	6	Black Wire
IN	GPIO18	12	Blue Wire

AZ-Delivery

Ihr Experte für Mikroelektronik!

For top quality microelectronics, we are your go to. We provide an array of application examples, full installation guides, eBooks, libraries, and all-round assistance. AZ-Delivery, your microelectronics expert!