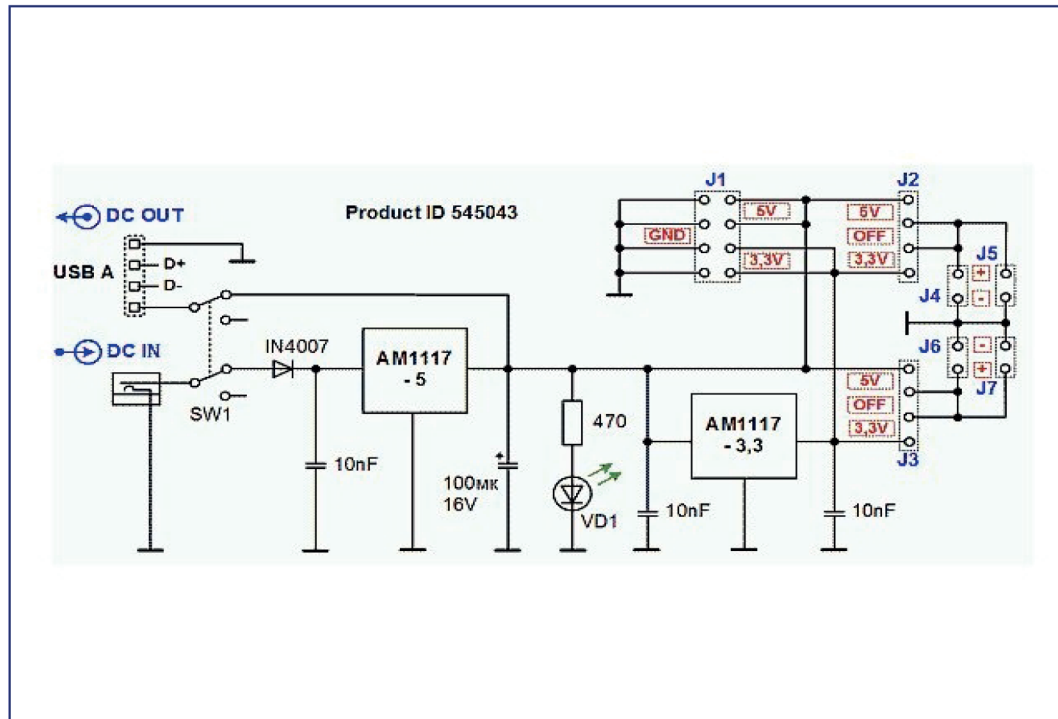


### Schematic

Power outputs: GND, 3.3V, 5V on breadboard power rails (J4, J5, J6, J7), GND, 3.3V, 5V on pins J1 and 5V on USB-A socket.



Jumper locations:

