

LM2596S

Datasheet

LM2596S Step-down Module

3 Digit Voltmeter Display

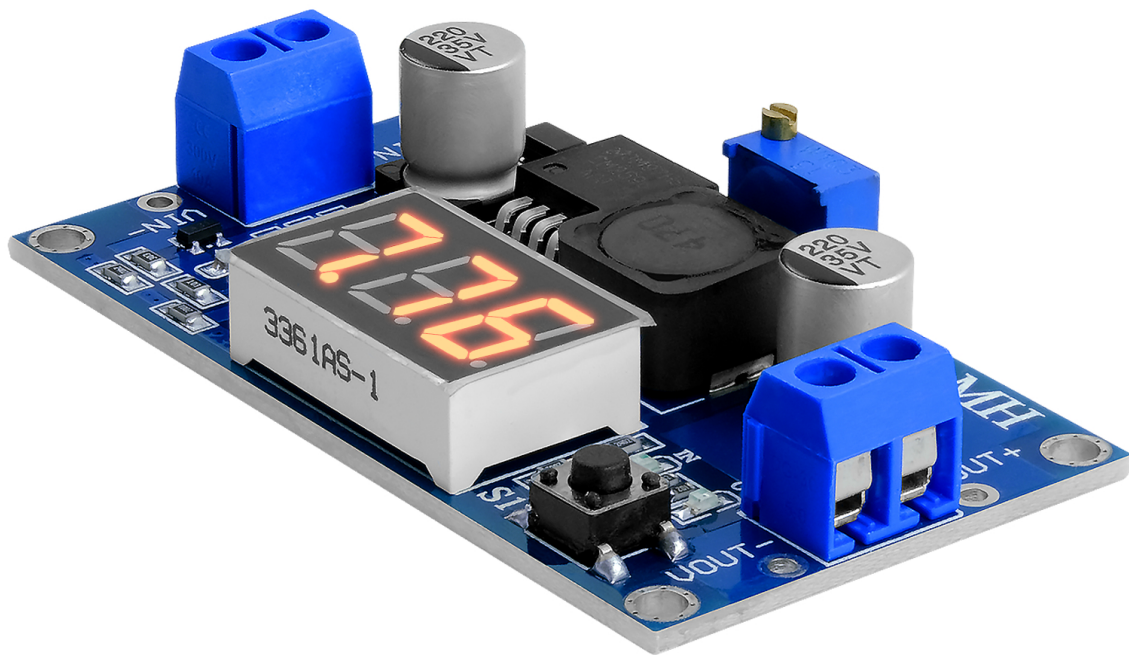


Table of Content

Specifications	3
Pinout	3
Schematic	5

Specifications

Input Voltage	4 - 40V
Output Voltage	3.3 - 24V
Output Current	2A (max. 3A with enhanced cooling)
Switching frequency	150 kHz
Output Voltage present resolution	0.1V
Voltage testing accuracy	$\pm(1\% + 2 \text{ Digits})$
Dimensions	66x36x13mm
Weight	22g

The module has a 3-digit voltmeter display, with the S1 button you can switch between the IN and OUT display:

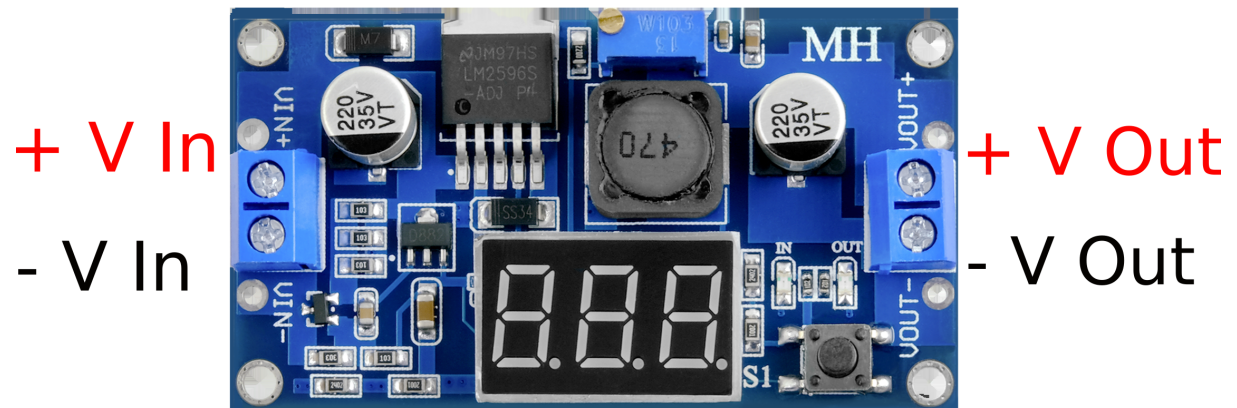
If the LED is set to IN, the input voltage is displayed.

If the LED is set to OUT, the output voltage is displayed and can be adjusted via the trimmer.

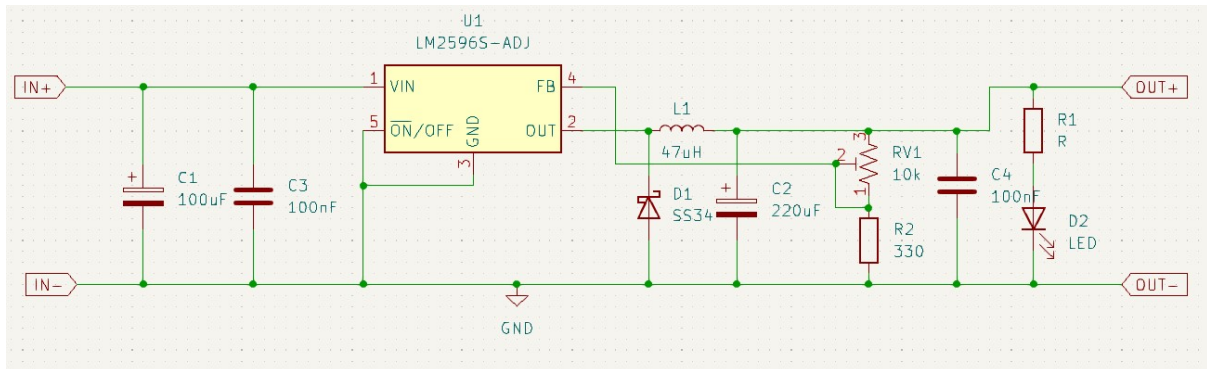
It has an onboard measurement error correction function.

Important: The input voltage must always be at least 1.5 volts higher than the output voltage.

Pinout



Schematic



Function Block Diagram:

