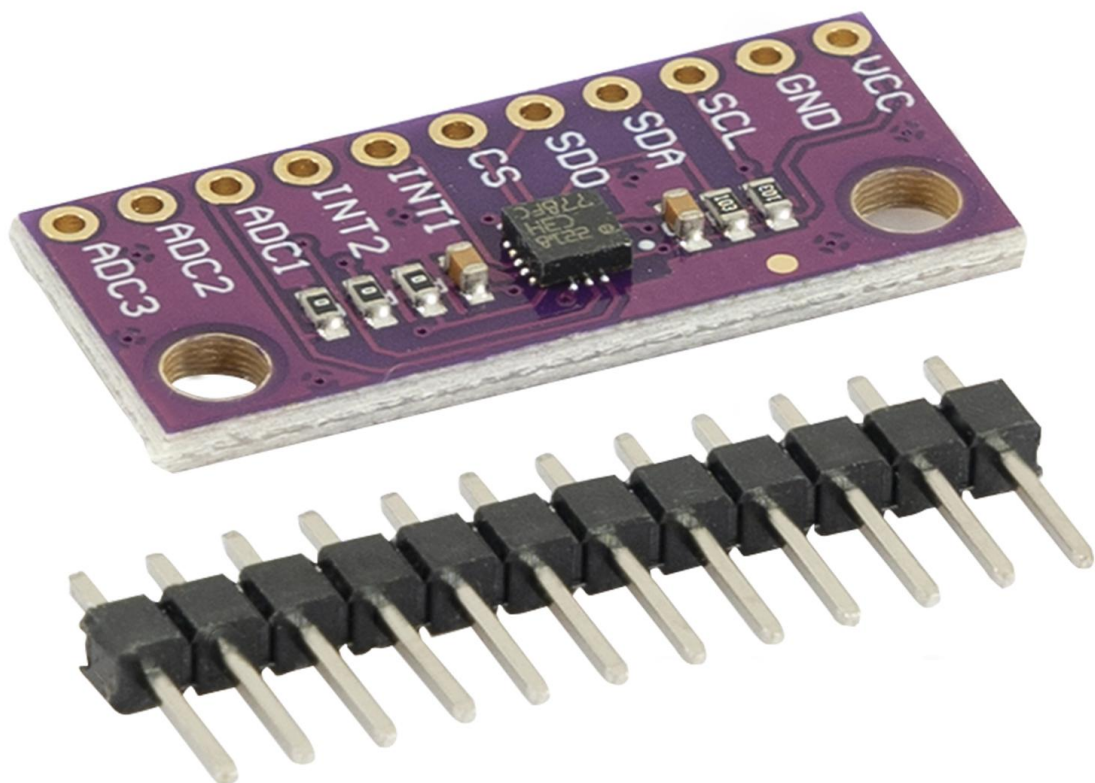


LIS3DSH

datasheet

LIS3DSH

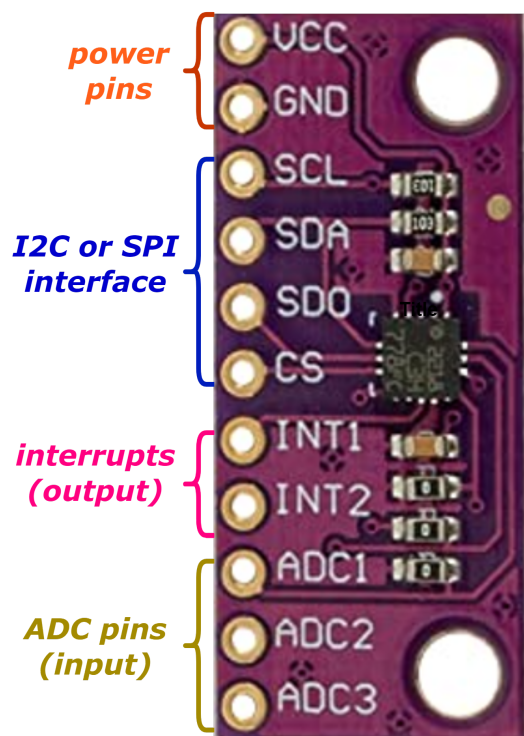
three-axis high-resolution accelerometer sensor
module



Specifications

Supply Voltage	1.71 V to 3.6 V
RAM	16kB
Interfaces	I2C / SPI
ADC	3 channel, 10bit
Selectable scaling	$\pm 2g$, $\pm 4G$, $\pm 6g$, $\pm 8G$ and $\pm 16g$
Output data rate	1 Hz to 5.3 kHz
Working temperature	-40 to 85 °C
Dimensions	28,3 x 12,2 x 2,6mm
Weight	ca. 10g

Pin definition



pin name	direction	Description
Vcc	I	3.3v Power pin
GND	I	Ground pin
SCL	I	Signal interface I ² C serial clock
SDA	I	Signal interface I ² C serial data
SDO	O	3-wire interface serial data output
CS	I	I2C/SPI mode selection: 1- I2C enabled,SPI disable 0 - I2C disabled,SPI enable
INT1	O	primary int has FIFO+motion

INT2	0	secondary int has motion
ADC1	1	Analog-to-digital converter input 1
ADC2	1	Analog-to-digital converter input 2
ADC3	1	Analog-to-digital converter input 3