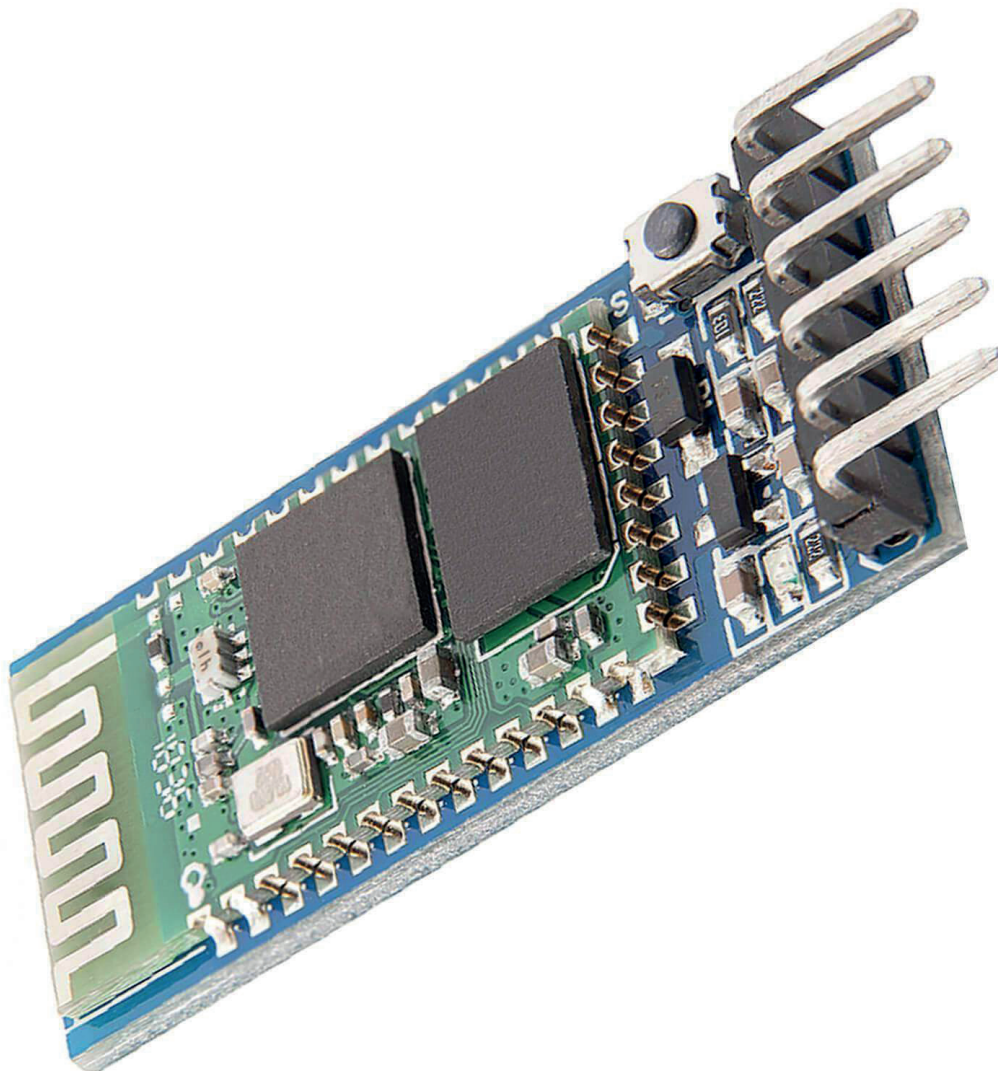


HC-05 Bluetooth Wireless RF-Transceiver-Modul Datenblatt



Content:

- [1. Specifications](#)
- [2. Pinout](#)
- [3. Connection Diagram](#)

1. Specifications

Range	up to 10m (class 2)
Frequency	2.45GHz
Power Supply	3.3V to 5V
Dimensions	37mm + 8mm [1.45in + 0.3in], 15mm [0.6in], 2mm [0.07in]

Device name: HC-05

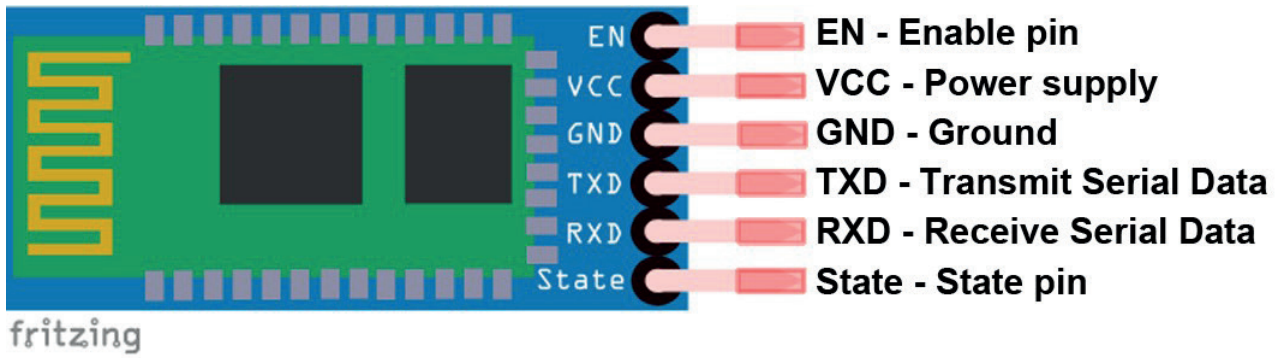
Password: 1234

Serial UART interface

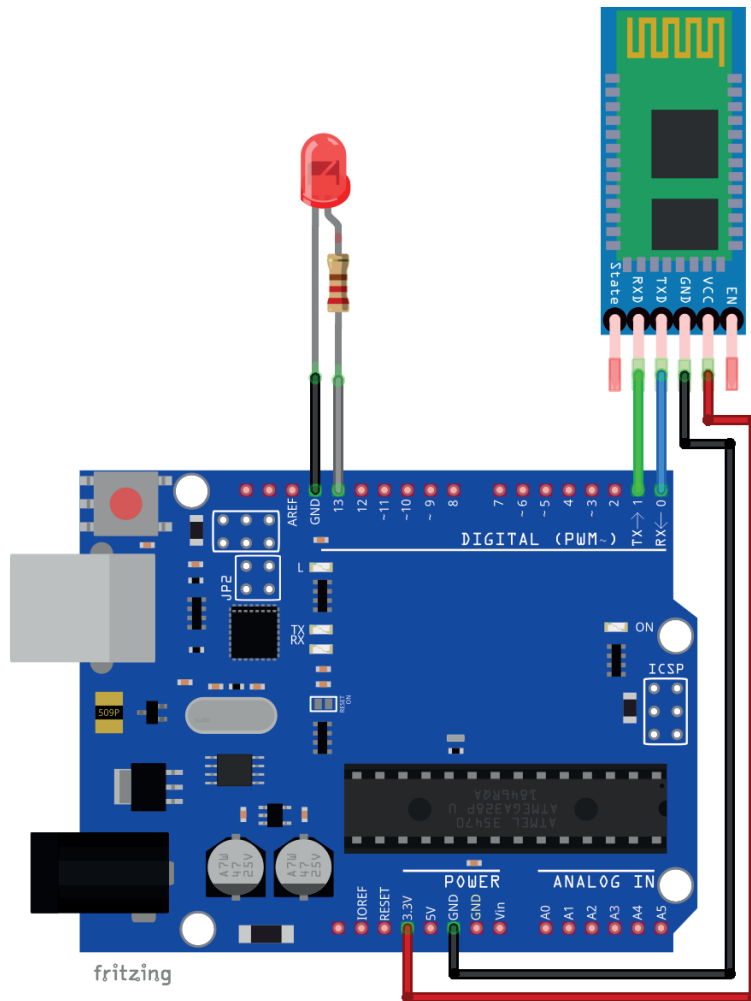
The module has a LED for status display installed. When flashing fast, it means the device is ready for connection; when flashing slowly, the connection is established and when flashing every 2 seconds AT mode is on.

The device has on-board 5V to 3.3V regulator and a switch button.

2. Pinout



3. Connection Diagram



Module Pin	Microcontroller Pin	Wiring Color
GND	GND	Black Wire
VCC	3.3V	Red Wire
RXD	TX	Green Wire
TXD	RX	Blue Wire
Resistor	Microcontroller Pin	Wiring Color
Resistor	13	Grey Wire
LED Diode	Microcontroller Pin	Wiring Color
LED Diode	GND	Black Wire

AZ-Delivery

Ihr Experte für Mikroelektronik!

For top quality microelectronics, we are your go to. We provide an array of application examples, full installation guides, eBooks, libraries, and all-round assistance. AZ-Delivery, your microelectronics expert!