

DHT 11 Temperatursensor Modul Datenblatt



Contents:

- 1. Product Overview**
- 2. Applications**
- 3. Product Highlights**
- 4. Dimensions**
- 5. Parameters**
- 6. Typical circuit**
- 7. Serial Communications Description (single-wire bidirectional)**
- 8. Application Information**
- 9. Warning**

1. Product Overview

DHT11 digital temperature and humidity sensor is a calibrated digital signal output of the temperature and humidity combined sensor. It uses a dedicated digital modules capture technology and the temperature and humidity sensor technology to ensure that products with high reliability and excellent long-term stability. Sensor includes a resistive element and a sense of wet NTC temperature measurement devices, and with a high-performance 8-bit microcontroller connected.

2. Applications

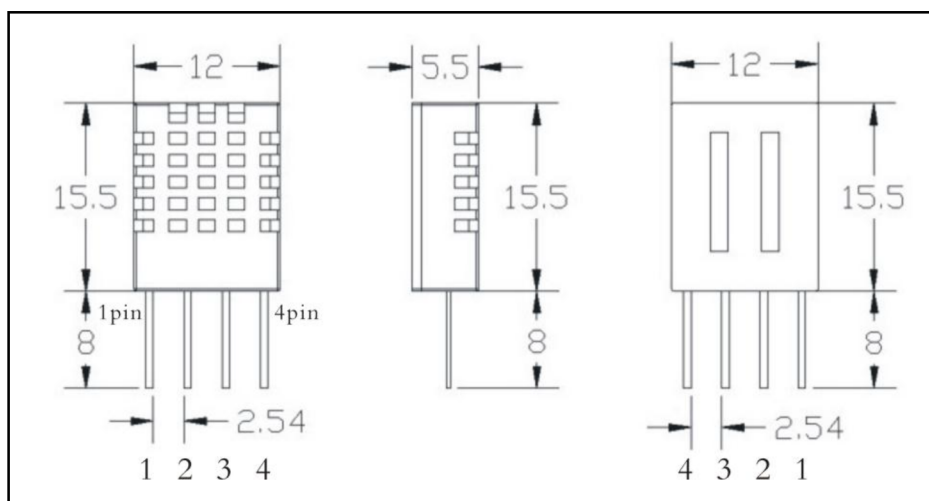
HVAC, dehumidifiers, testing and inspection equipment, consumer goods, automotive, automation, data loggers, weather stations, home appliances, humidity regulator, medical and other relevant humidity measurement and control.

3. Product Highlights

Low-cost, long-term stability, relative humidity and temperature measurement, excellent quality, fast response, anti-interference ability, long distance signal transmission, the digital signal output, precise calibration

4. Dimensions

(Unit : mm)



5. Parameters

Relative Humidity

Resolution : 16Bit

Repeatability : $\pm 1\%RH$

Accuracy : 25°C $\pm 5\%RH$

Interchangeability : Fully interchangeable

Response time : 1/e (63%) 25°C 6s

1m/s Air 6s

Hysteresis : $\lt \pm 0.3\%RH$

Long-term stability : $\lt \pm 0.5\%RH/yr$

Temperature

Resolution : 16Bit

Repeatability : $\pm 1^\circ C$

Accuracy : 25°C $\pm 2^\circ C$

Response time : 1/e (63%) 10S

Electrical Characteristics

Power supply : DC 3.3~5.5V

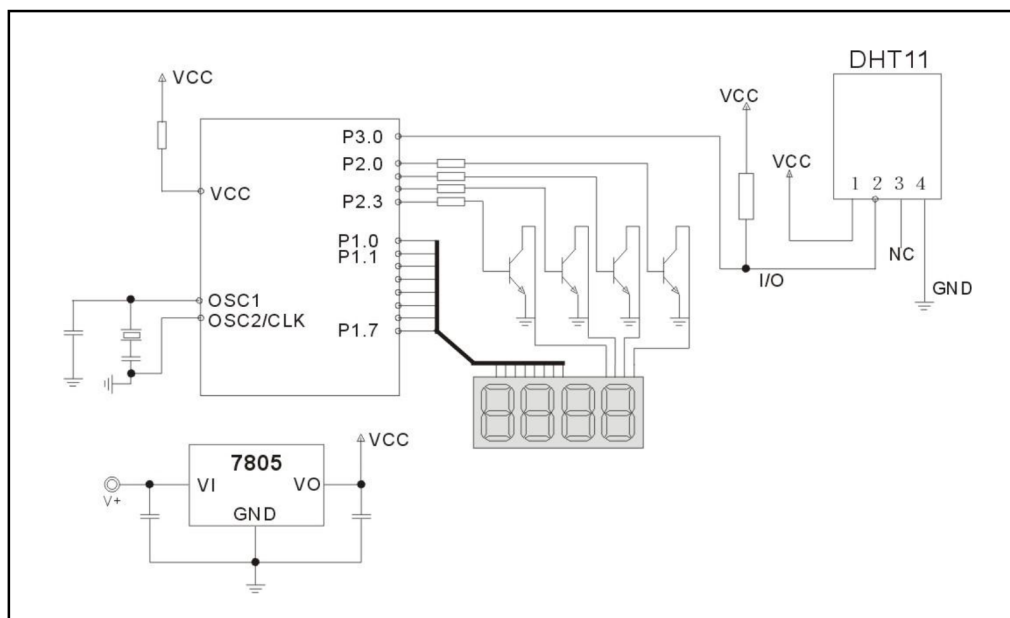
Supply current : Measure 0.3mA Standby 60 μA

Sampling period : Secondary Greater than 2 seconds

Pin Description

1. VDD supply 3.3 ~ 5.5V DC
2. DATA serial data, single-bus
3. NC NC
4. GND grounding, power negative

6. Typical circuit



Connecting the typical application circuit shown above the microprocessor and DHT11, DATA pull-up and microprocessor I/O port.

1. A typical application circuit recommended cable length shorter than 20 meters with a 5.1K pull-up resistor when greater than 20 meters when the pull-up resistor to reduce the actual situation.
2. When using a 3.3V voltage supply cable length must not be greater than 100cm. Otherwise it will lead to lack of line drop sensor supply, causing measurement bias.
3. Temperature and humidity values are read out every last measurement result, want to get real-time data, to be read twice in a row, but not recommended repeatedly read sensors, each sensor reading interval of more than 5 seconds to obtain accurate data.

• **Single Bus Description**

DHT11 device uses a simplified single-bus communication. Single bus that only one data line, the data exchange system, are controlled by a single bus is complete. Device (master or slave) through an open-drain or tri-state port is connected to the data line to allow the device to send data when not able to release the bus, and let other devices use the bus; single bus usually requires an external approximately 5.1kΩ pull up resistor, so that when the bus is idle, the state is high. Because they are master-slave structure, only the host calls a slave, a slave to answer, so the host access devices must strictly follow the sequence of a single bus, if there is a sequence of confusion, the device will not respond to the host.

• **Single bus transfer data bit definition**

DATA is used for communication between the microprocessor and DHT11 and synchronization, single-bus data format, a 40-bit data transfer, high first-out.

Data formats:

8bit humidity integer data + 8bit decimal data +8 bit temperature and humidity data + 8bit temperature decimal integer data +8 bit parity bit.

Note: The fractional portion wherein the temperature and humidity of 0.

• **Parity bit data definition**

"8bit humidity decimal integer data + 8bit humidity temperature data +8 bit decimal integer data + 8bit temperature data" 8bit parity bit is equal to the result of the end of eight.

Example One : 40 receives the data to:

<u>0011 0101</u>	<u>0000 0000</u>	<u>0001 1000</u>	<u>0000 0000</u>	<u>0100 1101</u>
High humidity 8	Low humidity 8	High temperature 8	Low temperature 8	Parity bit
Calculated as follows:				
0011 0101+0000 0000+0001 1000+0000 0000= 0100 1101				
Receive data is correct:				
Humidity: 0011 0101=35H=53%RH				
Temperature:0001 1000=18H=24 °C				
Example Two: The received data is 40:				
<u>0011 0101</u>	<u>0000 0000</u>	<u>0001 1000</u>	<u>0000 0000</u>	<u>0100 1001</u>
High humidity 8	High humidity 8	High temperature 8	High temperature 8	Parity bit

Calculated as follows:

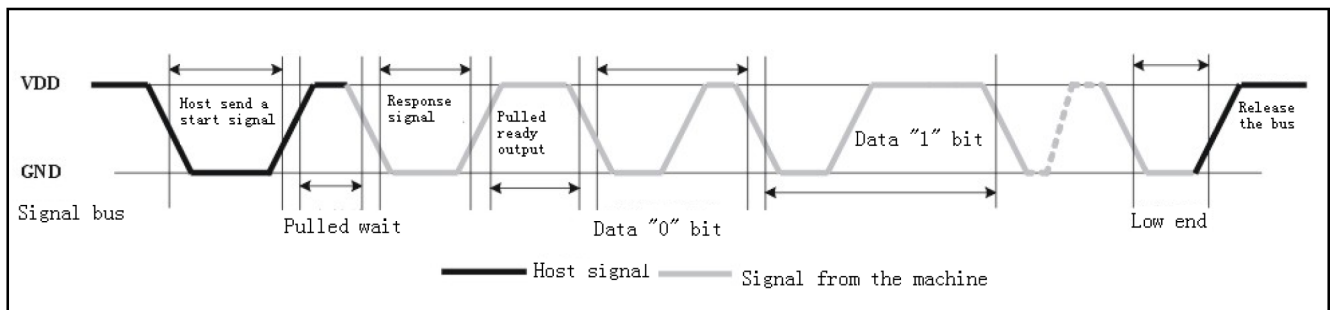
0011 0101+0000 0000+0001 1000+0000 0000 = 0100 1101

01001001 is not equal to 01001101

The received data is not correct, give up, again receiving data.

• Data Timing Diagram

Hosts (MCU) after sending a start signal, DHT11 transition from a low-power mode to high-speed mode, the host until after the end of the start signal, DHT11 send a response signal, send 40bit data acquisition and trigger a letter. Signal transmission shown in fig.



Data Timing Diagram

Note: The host reads temperature and humidity data from DHT11 always previous measurements, such as the two measured time interval is long, please read twice in a row is the second time in real time temperature and humidity values.

• Peripheral reading step

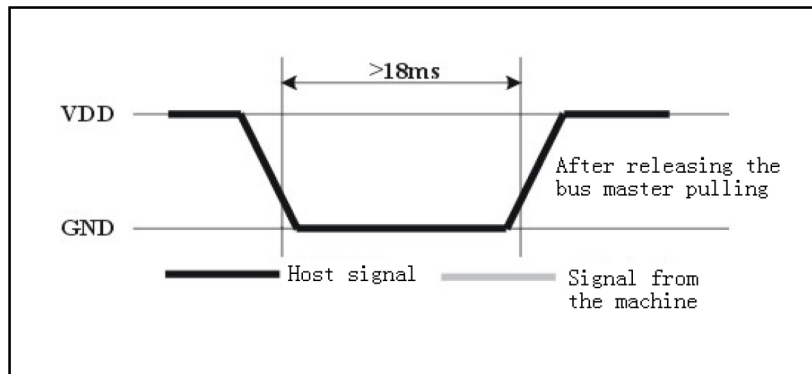
Communication between master and slave can be completed by the following steps (peripherals (such as a microprocessor) to read step DHT11 data).

Step one:

DHT11 after power (power after DHT11 1S to wait to cross the unstable state during this period can't send any commands), test environment temperature and humidity data, and record data while the data lines DATA DHT11 pulled by a pull-up resistor remains high; DHT11 this time the DATA pin is the input state, always detect external signals.

Step two:

Microprocessor I / O output while the output is set to low, and low retention time can't be less than 18ms, then the microprocessor I / O is set to enter the state, due to the pull-up resistor, the microprocessor I / O that the data lines DHT11 also will go high, waiting to answer DHT11 signals transmitted signal as shown:



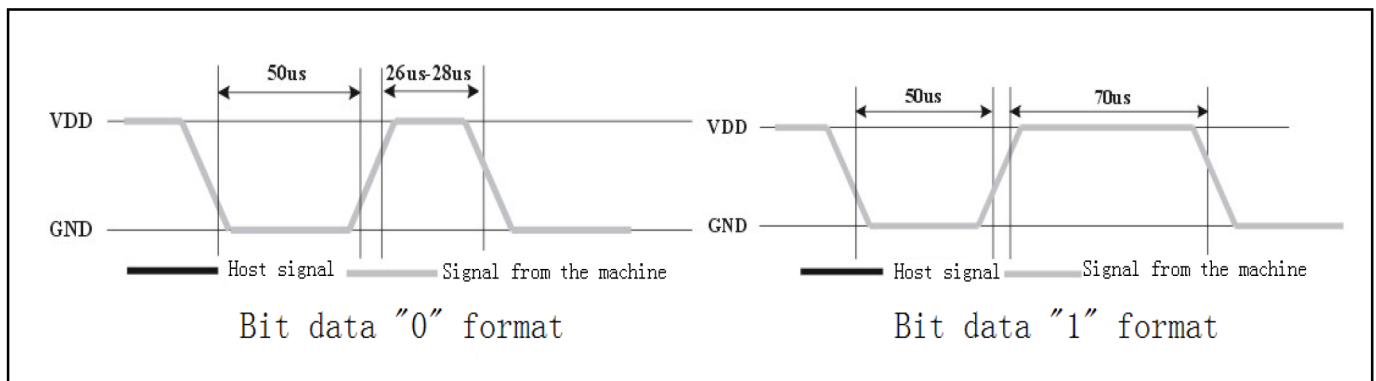
The host sends a start signal

Step three:

DHT11 the DATA pin when external signals detected low, waiting for the external signal low end, after a delay DHT11 the DATA pin is an output, the output low as 80 microseconds response signal, followed by the output of 80 micro-notify the second high peripheral is ready to receive data,

the microprocessor I / O at this time in the input state detecting I / O with low (DHT11 echo signal)

to the wait for 80 microseconds high data receiving and sending signals as shown:



End signal:

DHT11 the DATA pin output 40-bit data, the continued output low 50 microseconds after the entry into the state, due to the pull-up resistor attendant goes high. But DHT11 temperature and humidity inside the test-retest data, and record the data, awaiting the arrival of an external signal.

8. Application Information

1. Working and storage conditions

The proposed scope of work may result in up to 3% RH temporary drift of the signal. Return to normal working conditions, the sensor calibration status will slowly recover. To speed up the recovery process can be found in "recovery process." The use of the product will accelerate the aging process for a long time under abnormal operating conditions.

Avoid placing components on a long-term condensation and dry conditions and the following environments.

A. smoke

B. Acid or oxidizing gases such as sulfur dioxide, hydrochloric acid

Recommended Storage Environment

Temperature : 10~40°C Humidity : 60% RH or less

2. Effects of exposure to chemical substances

Sensing resistive humidity sensor will be disturbed chemical vapor layer, the diffusion layer in the induction of chemicals may cause drift and measurement sensitivity. In a clean environment, slowly release contaminants out. The recovery process described below to accelerate the process

High concentrations of chemical pollution can cause damage to the sensor sensing layer completely.

3. Temperature Effect

Relative humidity of the gas is largely dependent on temperature. Therefore, when measuring the humidity should be possible to ensure that the humidity sensor works at the same temperature. If you share a printed circuit board with electronic components heat released in the sensor should be installed as far as possible away from the electronic components, and installed at the bottom of the heat source, while maintaining a well-ventilated enclosure.

To reduce the thermal conductivity sensor and a copper plating layer of the printed circuit board should be as minimal other portions, and leaving a gap between them.

4. Light effects

Prolonged exposure to sunlight or strong ultraviolet radiation, will reduce performance.

5. Recovery process

Placed under extreme operating conditions or chemical vapor sensors, through the following process, you can return it to the state calibration. <2 hours (drying) under 10% RH humidity conditions; then at 20-30 °C and > 45 °C and humidity under 70% RH conditions were maintained for more than 5 hours.

6. Wiring Precautions

DATA signal wire quality will affect the communication distance and communication quality, we recommend using a high-quality shielded cable.

7. Soldering Information

Manual welding, at a temperature of 300 °C maximum contact time must be less than 10 seconds

9. Warning

Do not use this product as safety or emergency stop devices, as well as due to the failure of the product could result in personal injuries to any of the other applications. The product shall not apply unless there is a particular purpose or use authorization. Before installation, handling, use or maintenance of the product to the reference product data sheets and application notes. Failure to comply with this recommendation could result in death or serious injury. The resulting company will not be liable for all damages in personal injury and death, and thus exempt from any claims against the company managers and employees and affiliated agents, distributors, etc. that may arise, including: a variety of costs, damages costs, attorney fees, and so on.