

Content:

[1. Specifications](#)

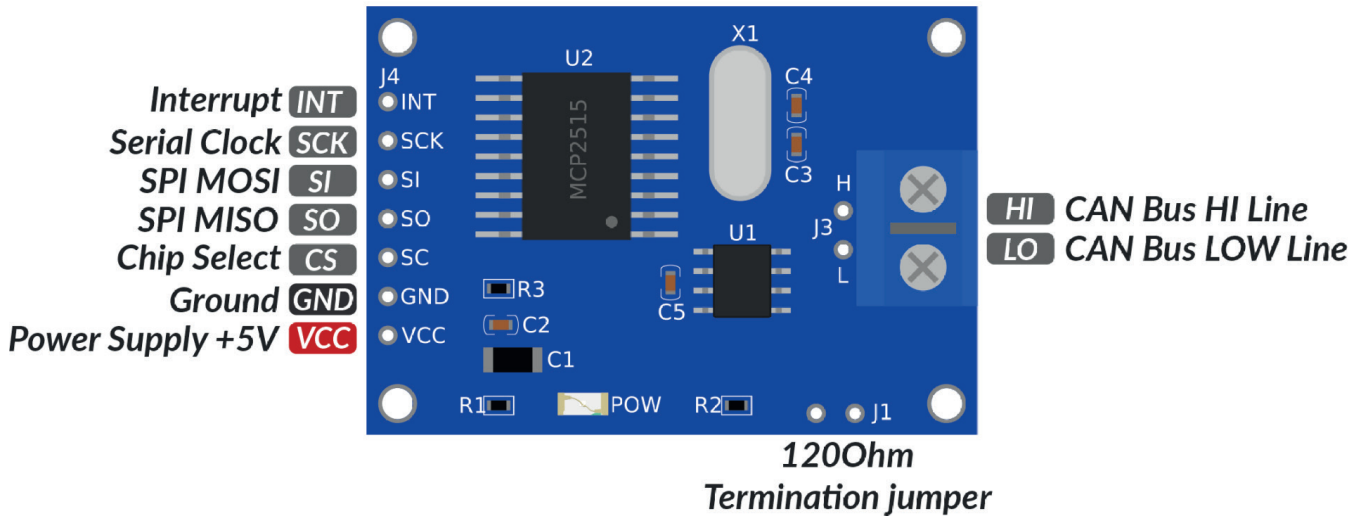
[2. Pinout](#)

[3. Connection Diagram](#)

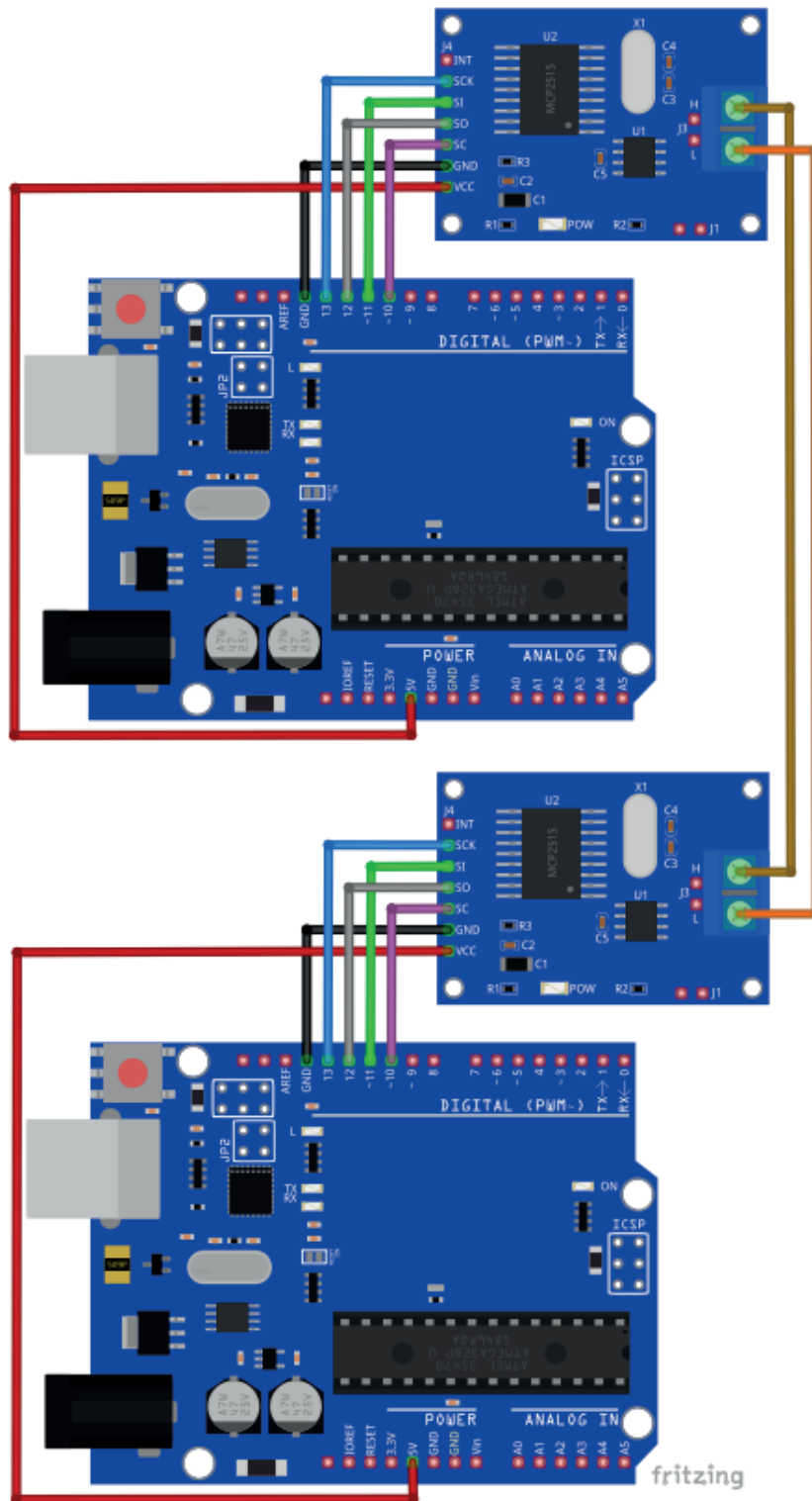
1. Specifications

Operating Voltage	5V
Operating Current	5mA
Stand-By Current	1 μA
Interface	CAN,SPI
Operating Temperature	-40 °C to 85 °C
Dimensions	40mm x 28mm x 10mm (1.5in x 1.1 in x0.3in)

2. Pinout



3. Connection Diagram



Module Pin	Microcontroller Pin	Wire Color
SCK	D13	Blue Wire
SI	D11	Green Wire
SO	D12	Gray Wire
SC	D10	Purple Wire
GND	GND	Black Wire
VCC	5V	Red Wire
H (CAN Bus HI)	To the 2nd module HI	Ochre Wire
L (CAN Bus LOW)	To the 2nd module LOW	Orange Wire

AZ-Delivery

Ihr Experte für Mikroelektronik!

If you are looking for the high quality products for Arduino and Raspberry Pi, AZ-Delivery Vertriebs GmbH is the right company to get them from. You will be provided with numerous application examples, full installation guides, eBooks, libraries and assistance from our technical experts.