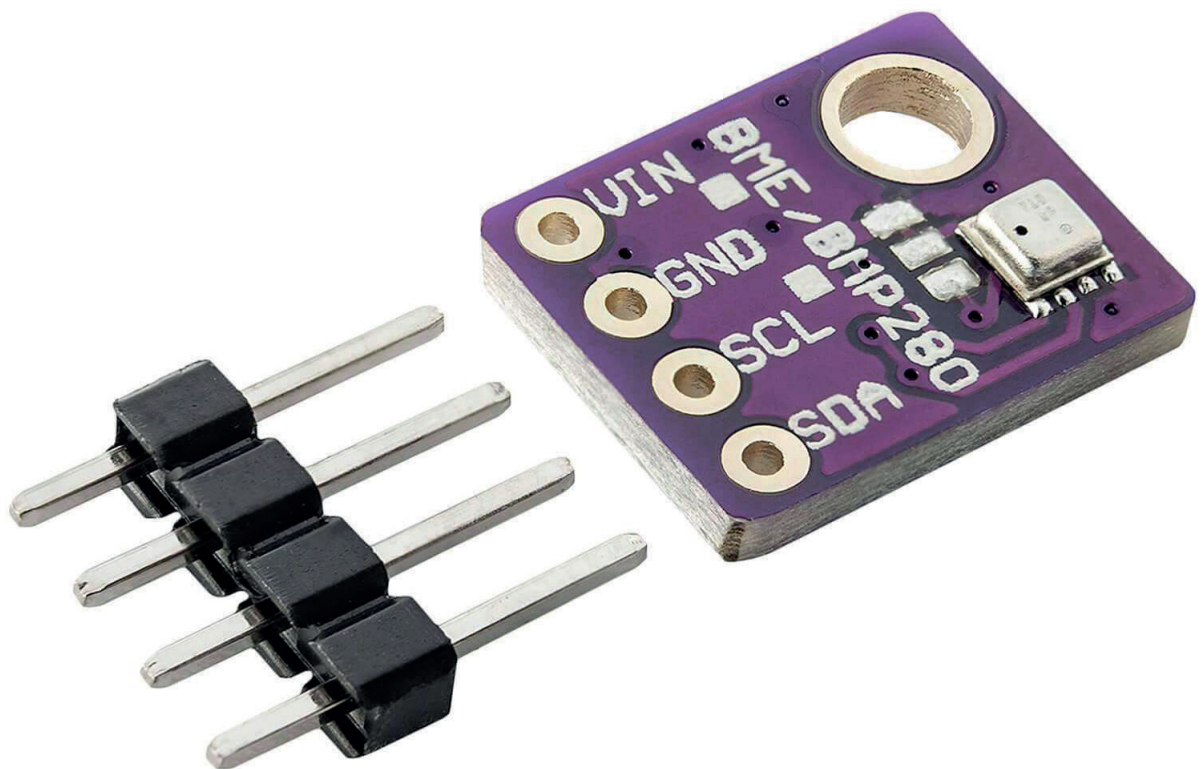


GY-BME280 Barometrischer Sensor Modul Datenblatt



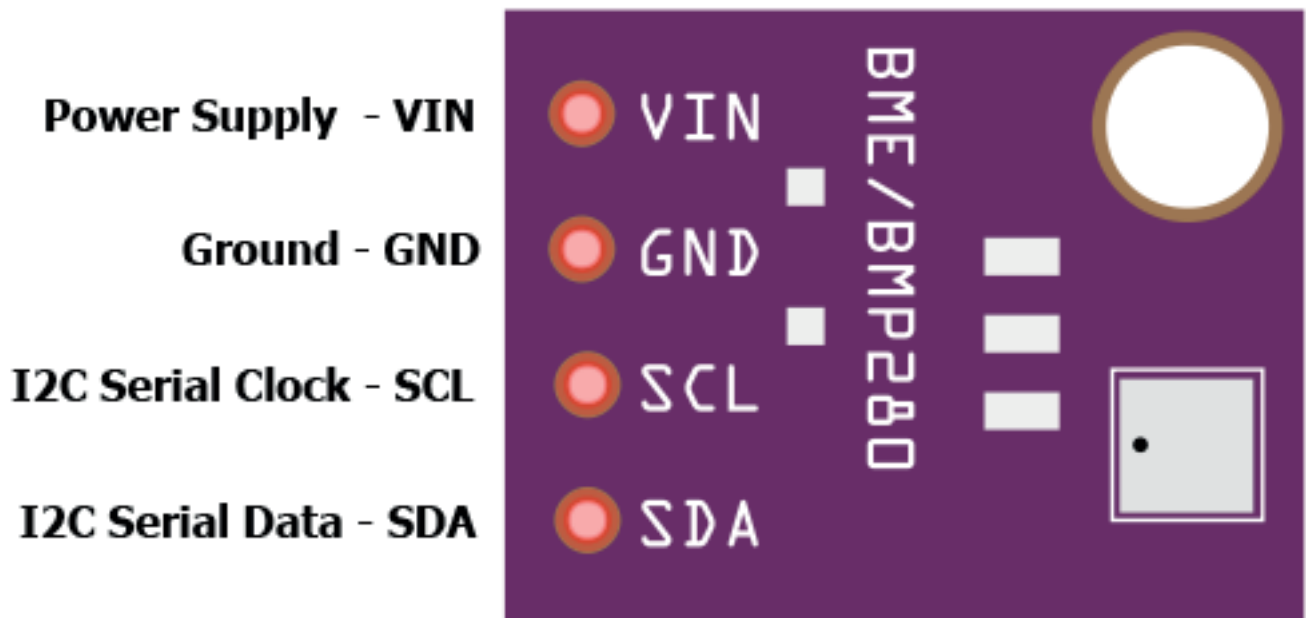
Content:

- [1. Specifications](#)
- [2. Pinout](#)
- [3. Connection Diagram](#)

1. Specifications

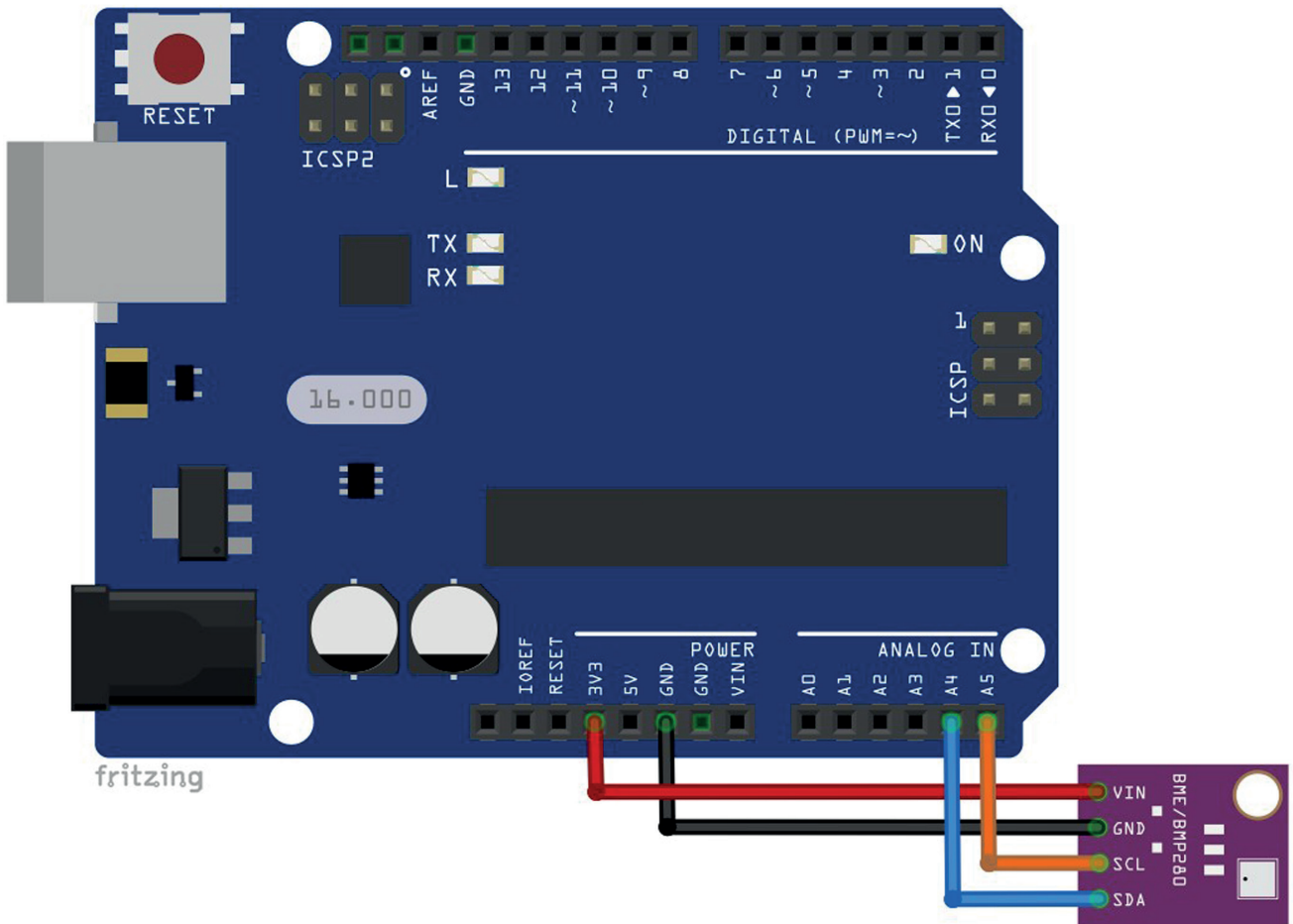
Operating Voltage:	From 3.3V to 5V DC
Current Consumption:	< 1mA
Temperature Range:	From -40°C to 85 °C
Temperature Accuracy:	±1.0°C
Pressure Range:	From 300 to 1100 hPa
Pressure Accuracy:	±1hPa
Humidity Range:	From 0 to 100% RH
Humidity Accuracy:	±3%
Dimensions:	9mm x 11mm x 2mm [0.35in x 0.43in x 0.078in]

2. Pinout

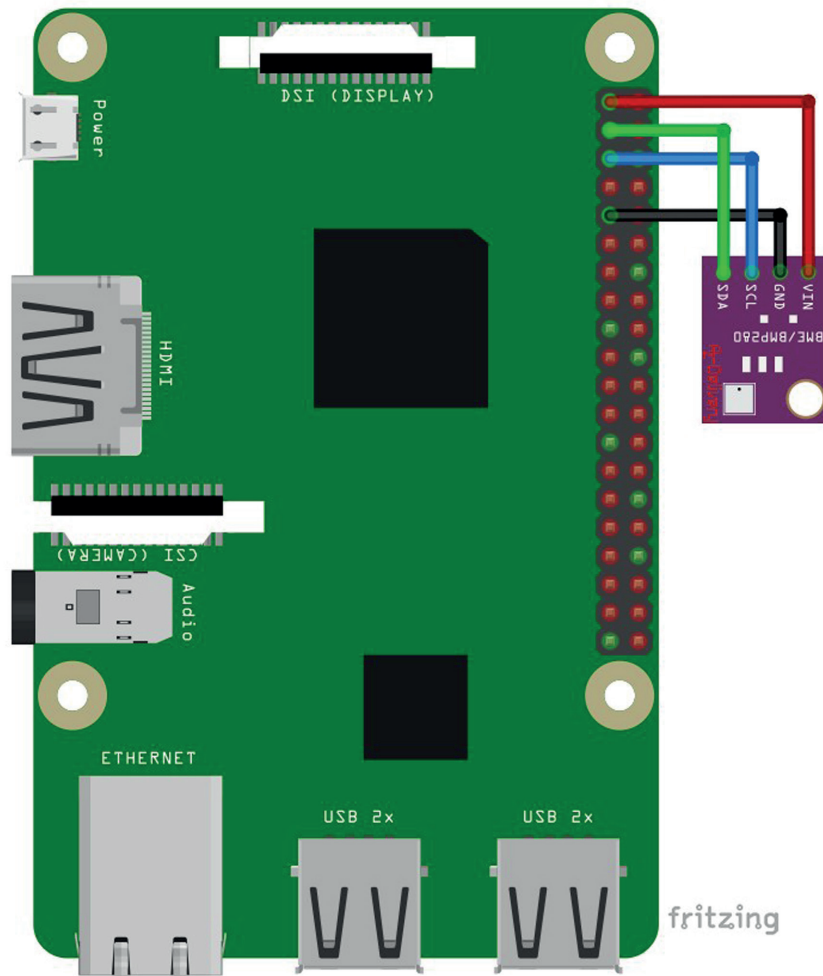


The sensor has an on-board LM6206 3.3V voltage regulator and a voltage level translator. The pins of the BME280 sensor can operate on voltages in range from 3.3V or 5V without a danger for the sensor itself.

3. Connection Diagram



Module Pin	Microcontroller Pin	Wire Color
VIN	3.3V	Red Wire
GND	GND	Black Wire
SCL	A5	Orange Wire
SDA	A4	Blue Wire



Module Pin	Microcontroller Pin	Physical Pin	Wire Color
GND	GND	9	Black Wire
VIN	3V3	1	Red Wire
SCL	GPIO3	5	Blue Wire
SDA	GPIO2	3	Green Wire

AZ-Delivery

Ihr Experte für Mikroelektronik!

For top quality microelectronics, we are your go to. We provide an array of application examples, full installation guides, eBooks, libraries, and all-round assistance. AZ-Delivery, your microelectronics expert!