

ArduiTouch Wandgehäuseset mit Touchscreen für ESP8266 und ESP32 Datenblatt



Contents:

- 1. Features enclosure and pcb**
- 2. Enclosure**
- 3. Features voltage regulator**
- 4. Compatibility**
- 5. Part number table**
- 6. Applications**
- 7. Features main board**

1. Features enclosure and pcb

- Top wall mounting enclosure
- 2,4 inch (6,14 cm) tft screen with 320 x 240 pixel resolution
- SPI display controller ILI9341
- Resistive touch with SPI touch controller XPT2046
- Integrated 5V/1.4A voltage regulator (Vin 9...35V DC)
- Integrated prototyping area
- 6-pin removable terminal block for prototyping area & power supply
- Marked and connected GPIO & power pins beside the proto area
- Integrated piezo beeper
- Plug-in positions for Wemos D1 Mini, NodeMCU Amica V2, NodeMCU ESP32
- Vented cover to allow through air flow
- Exchangeable transparent frontplate (grey frontplate as option)

2. Enclosure

- Outside dimensions: 120mm x 80mm x 35mm (W x H x D)
- Breadboard area: 43mm x 39mm (W x H)
- Material: ABS
- Finish top shell: White
- Finish bottom shell: White

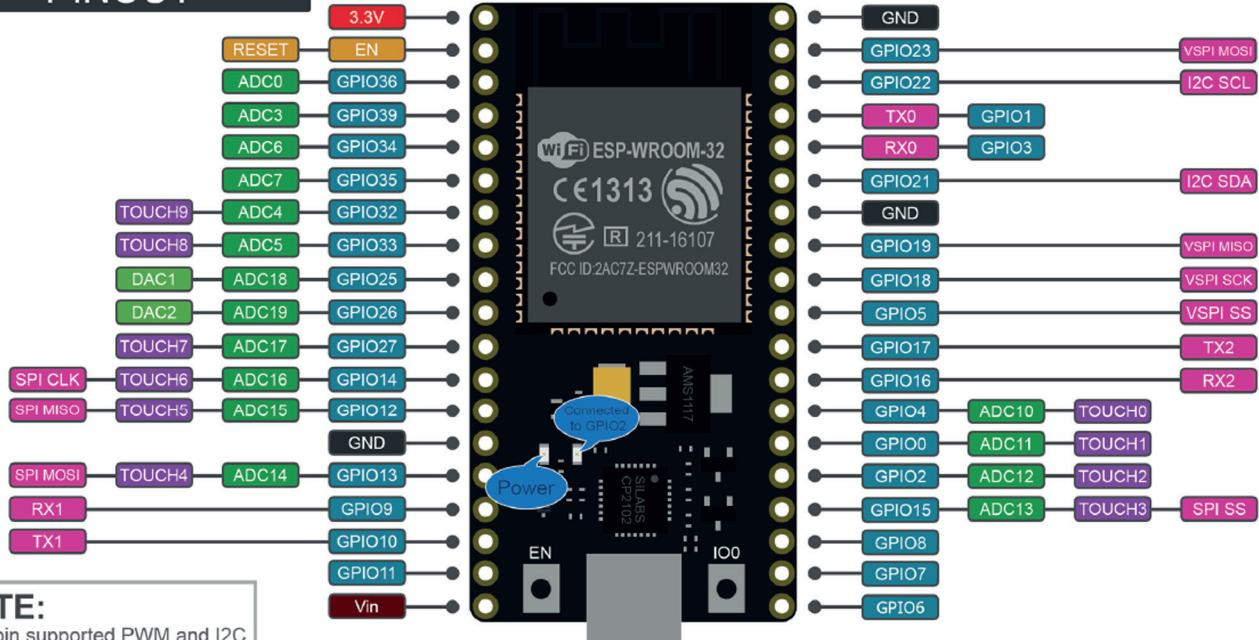
3. Features voltage regulator

- Input voltage: 15 – 30V DC
- Output voltage: 5V / 1.2A DC

4. Compatibility

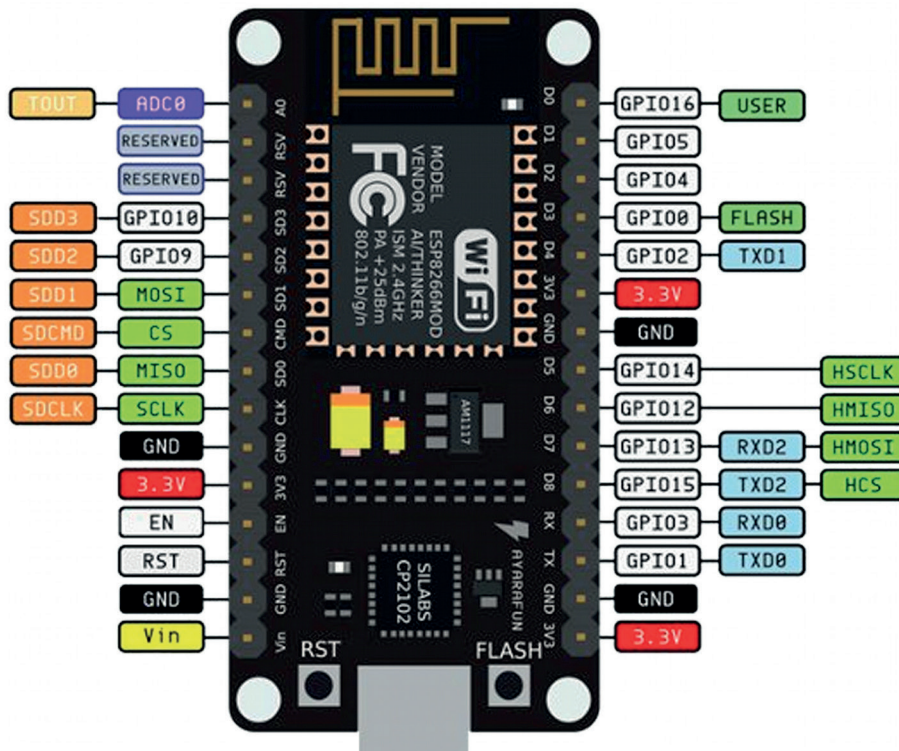
NodeMCU-32S

PINOUT

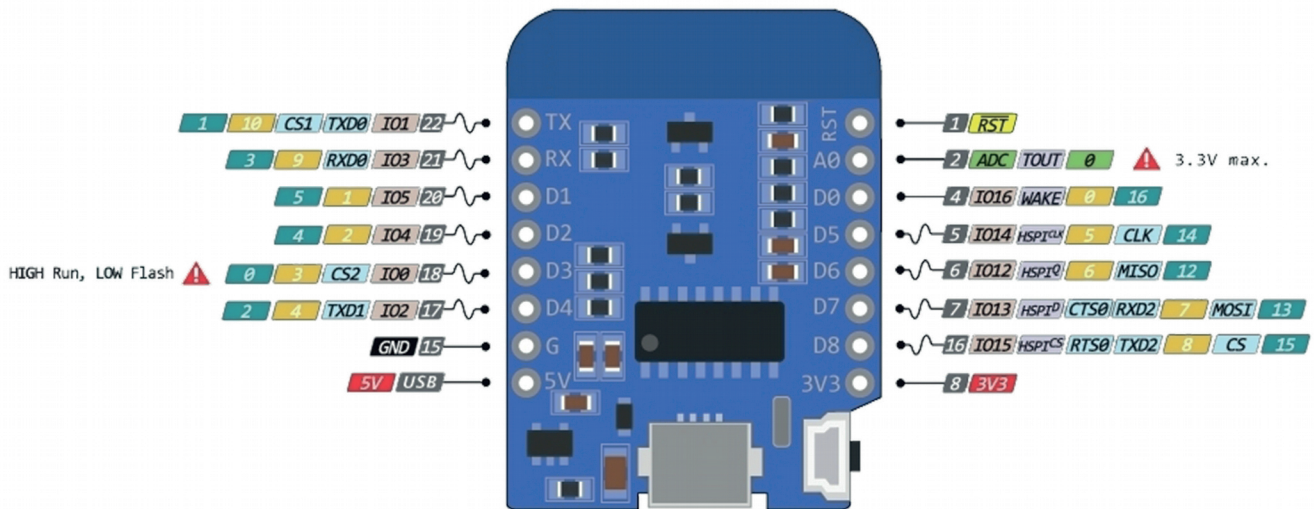


NOTE:
All pin supported PWM and I2C
Pin current 6mA (Max. 12mA)

NodeMCU Lua Amica V2 Pinout Diagram:



D1 Mini Pinout Diagram:



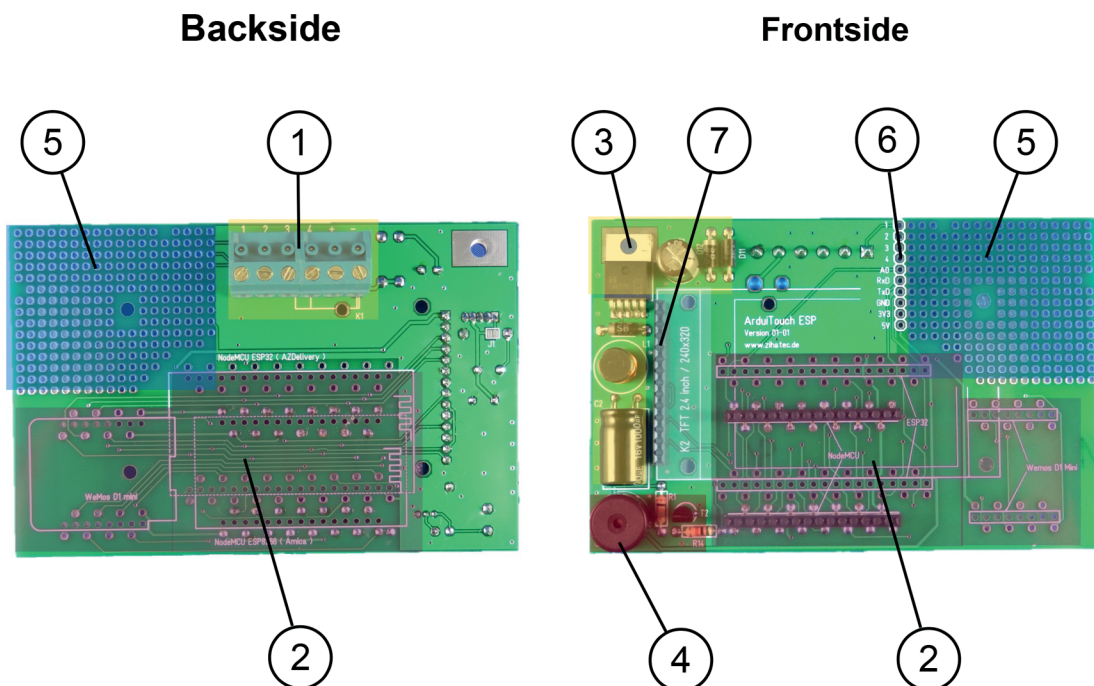
5. Part number table

Part-No.	Version	Features
ARTHEB	Basic	- milled enclosure - pcb - 2x centipede But without electronic parts & touchscreen
ARTHES	Standard	- milled enclosure - pcb - all electronic parts But without touchscreen
ARTHEX	Extended	- milled enclosure - pcb - all electronic parts - touchscreen

6. Applications

- Home automation
- Door access and door control
- HVAC applications
- Internet of Things (IoT)
- Intelligent wireless light switch
- Monitoring of sensor data
- Metering
- Intruder alarm systems

7. Features main board



- ① Terminal for power supply & proto board
- ② Plug-in slots for ESP modules
- ③ Voltage regulator (9..35V Vin / 5V Vout)
- ④ Piezo beeper
- ⑤ Breadboard / proto board area
- ⑥ GPIO pins for proto board
- ⑦ Header for touch screen