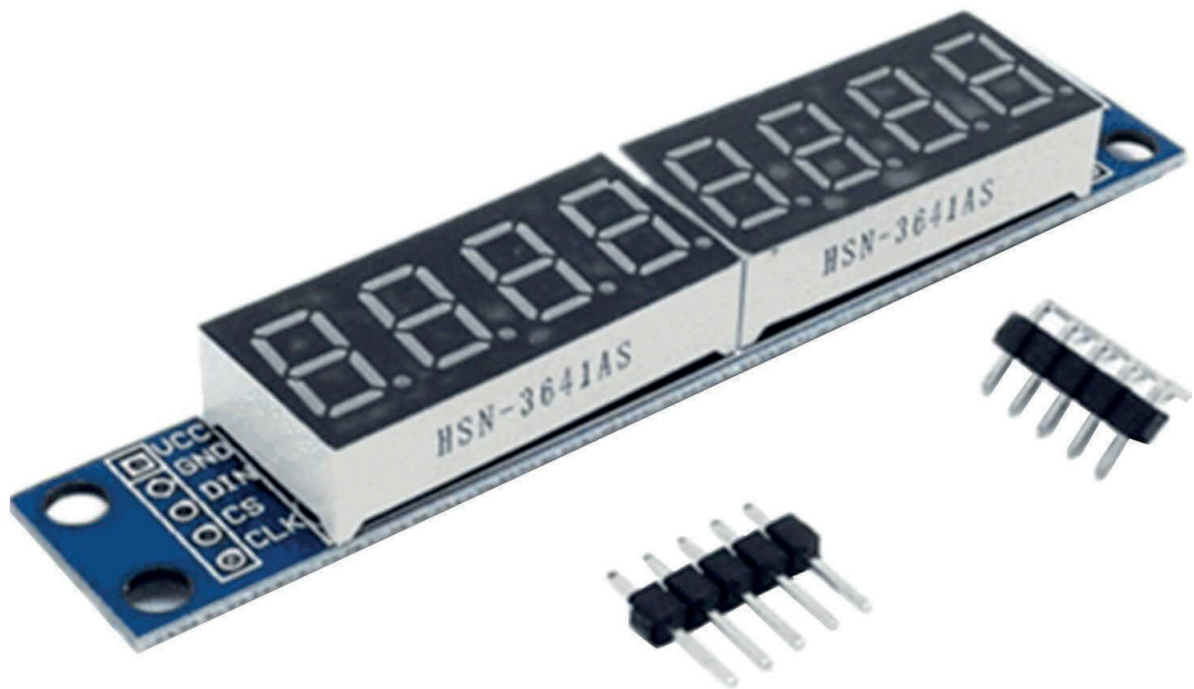


## 8 Bit 7-Segmentanzeige LED Display Datenblatt



## Content:

- [1. Specifications](#)
- [2. Pinout](#)
- [3. Connection Diagram](#)

## 1. Specifications

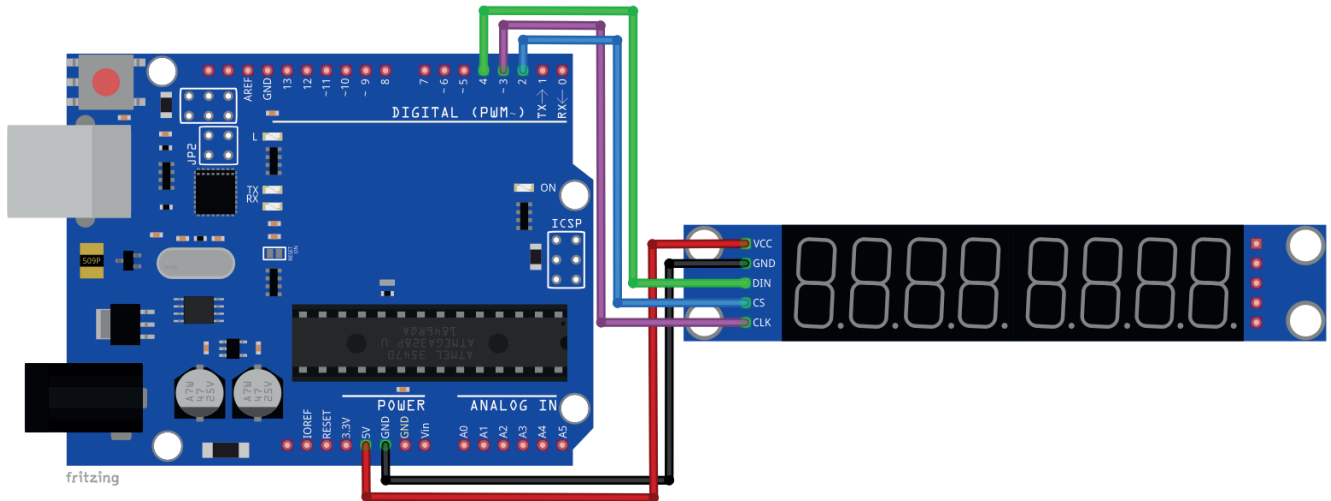
<b>Power Supply and Logic Voltage Range</b>	<b>From 3.3V to 5V DC</b>
<b>Driver Chip</b>	<b>MAX7219</b>
<b>Interface Type</b>	<b>SPI Interface</b>
<b>Maximum Clock</b>	<b>10MHz</b>
<b>Number of Segments</b>	<b>8</b>
<b>Digit LED Color</b>	<b>Bright RED</b>
<b>Brightness Control</b>	<b>16 levels</b>
<b>Cascading Ability</b>	<b>Yes, Daisy Chain</b>
<b>Dimensions</b>	<b>84mm x 16mm [3.3in x 0.6in]</b>

The same 4 wires can be used to control multiple 8 bit seven segment modules. This is called Daisy chaining the modules via the same SPI interface. This is done by connecting the next module on the output pins of the first module. More modules require more current and in that case, external power supply is preferable instead using the supply through microcontroller pins.

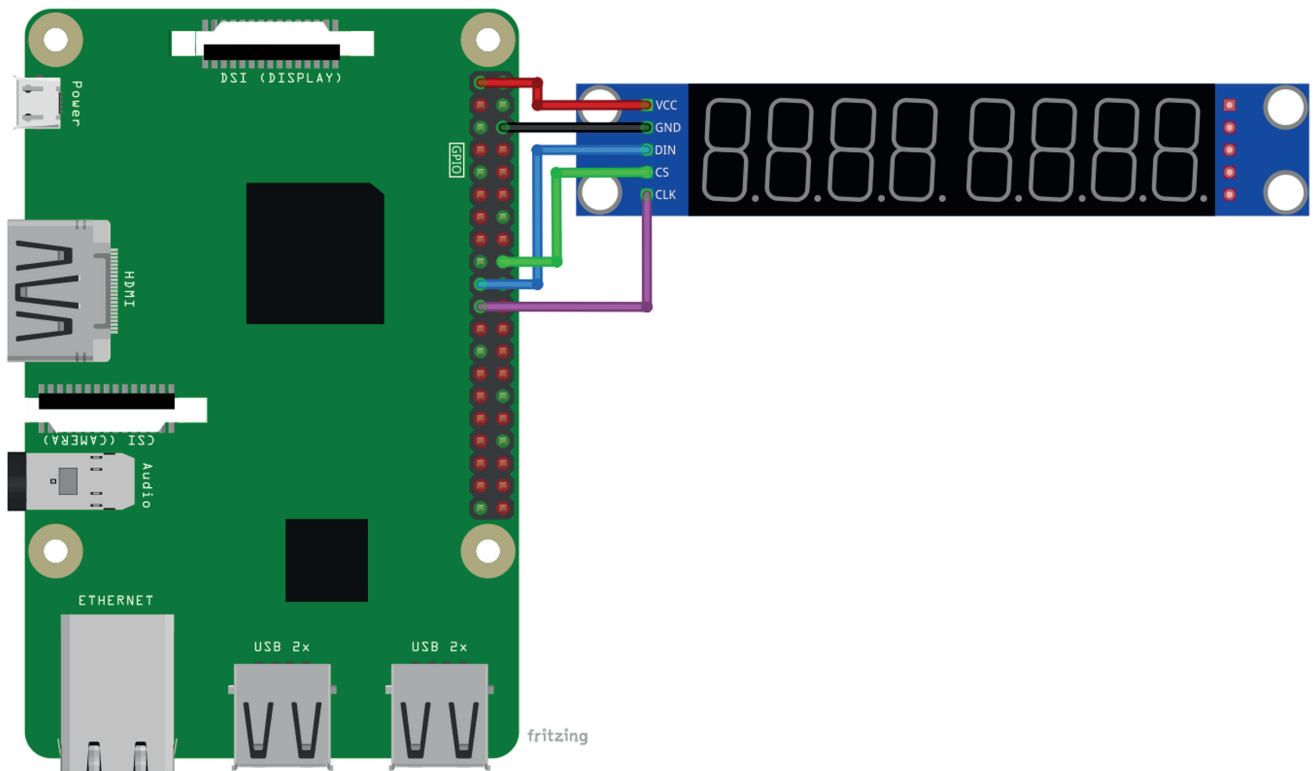
## 2. Pinout



### 3. Connection Diagram



Module Pin	Microcontroller Pin	Wire Color
VCC	5V	Red Wire
GND	GND	Black Wire
DIN	D4	Green Wire
CLK	D2	Blue Wire
CS	D3	Purple Wire



Module Pin	Microcontroller Pin	Physical Pin	Wire Color
VCC	3V3	17	Red Wire
GND	GND	20	Black Wire
DIN	GPIO10	19	Blue Wire
CS	GPIO08	24	Green Wire
CLK	GPIO09	21	Purple Wire

# AZ-Delivery

Ihr Experte für Mikroelektronik!

**For top quality microelectronics, we are your go to. We provide an array of application examples, full installation guides, eBooks, libraries, and all-round assistance. AZ-Delivery, your microelectronics expert!**