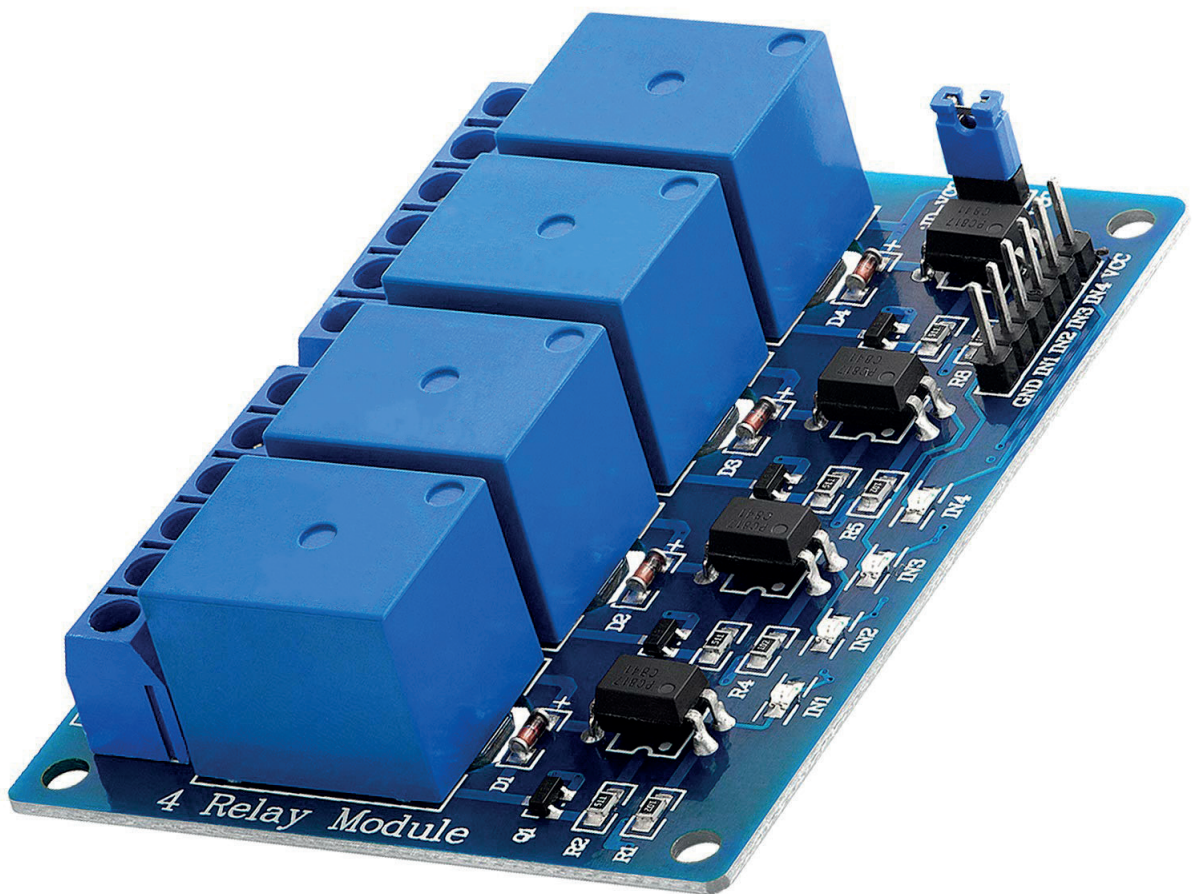


4-Relais Modul Datenblatt



Content:

- [1. Brief Data](#)
- [2. Module Pinout](#)
- [3. Operating Principle](#)
- [4. Input](#)
- [5. Output](#)
- [6. Testing Setup](#)
- [7. Connection Diagram](#)

1. Brief Data

Maximum AC: 5A 50V

Maximum DC: 5A 30V

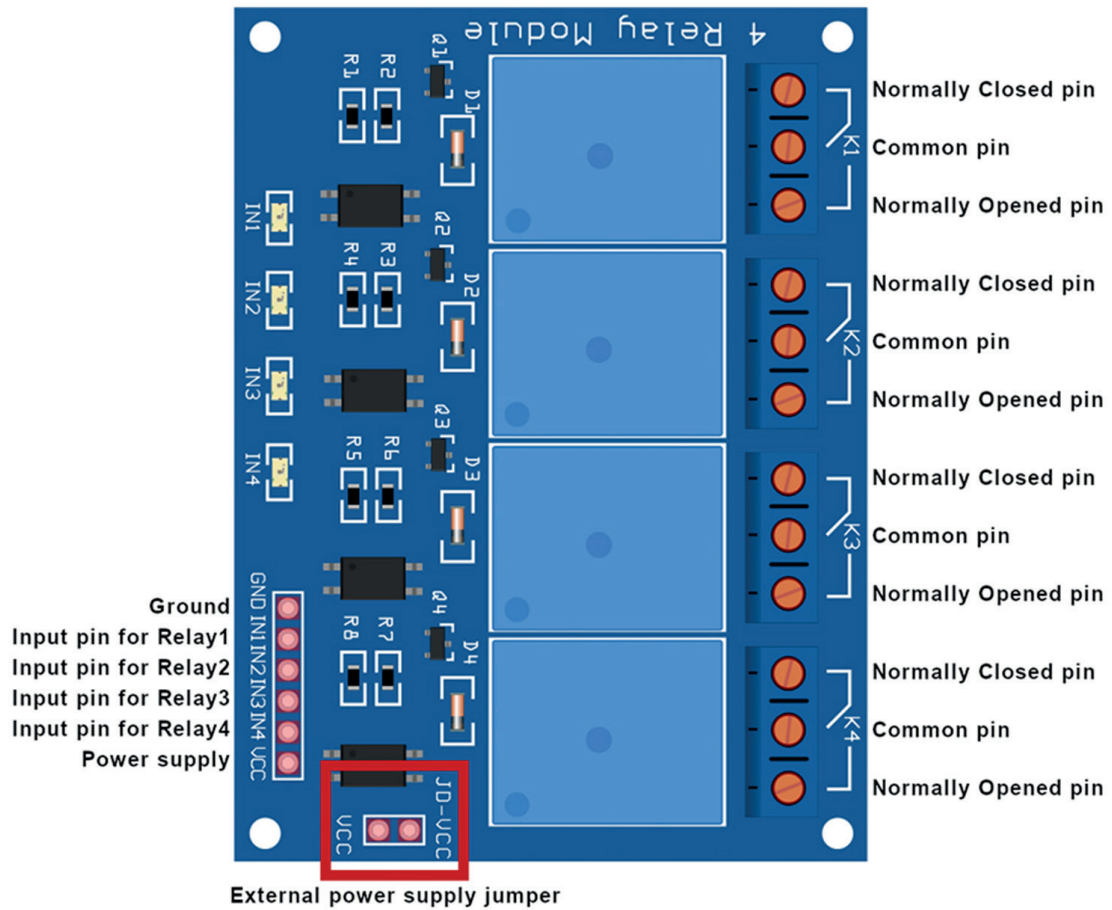
Maximum Operating Temperature: +20°C

Contact Type: Both: Normally Closed – NC, Normally Opened – NO

Dimensions: 55 mm x 75 mm [2.2 in x 2.95 in]

The 4 relays module consists of four relays capable of handling up to 5A 50V AC. For every relay, there are also a LED, two resistors, a NPN transistor, a rectifier diode and optocoupler.

2. Module Pinout



3. Operating Principle

There are two fixed contacts, a normally closed one and a normally open one.

When the coil is not energized, the normally open contact is the one that is off, while the normally closed one is the other that is on.

Supply voltage to the coil and some currents will pass through the coil thus generating the electromagnetic effect. So the armature overcomes the tension of the spring and is attracted to the core, thus closing the moving contact of the armature and the normally open (NO) contact or you may say releasing the former and the normally closed (NC) contact. After the coil is de-energized, the electromagnetic force disappears and the armature moves back to the original position, releasing the moving contact and normally closed contact. The closing and releasing of the contacts results in power on and off of the circuit.

4. Input

VCC : Connected to positive supply voltage (supply power according to relay voltage)

GND : Connected to supply ground.

IN1: Signal triggering terminal 1 of relay module

IN2: Signal triggering terminal 2 of relay module

IN3: Signal triggering terminal 3 of relay module

IN4: Signal triggering terminal 4 of relay module

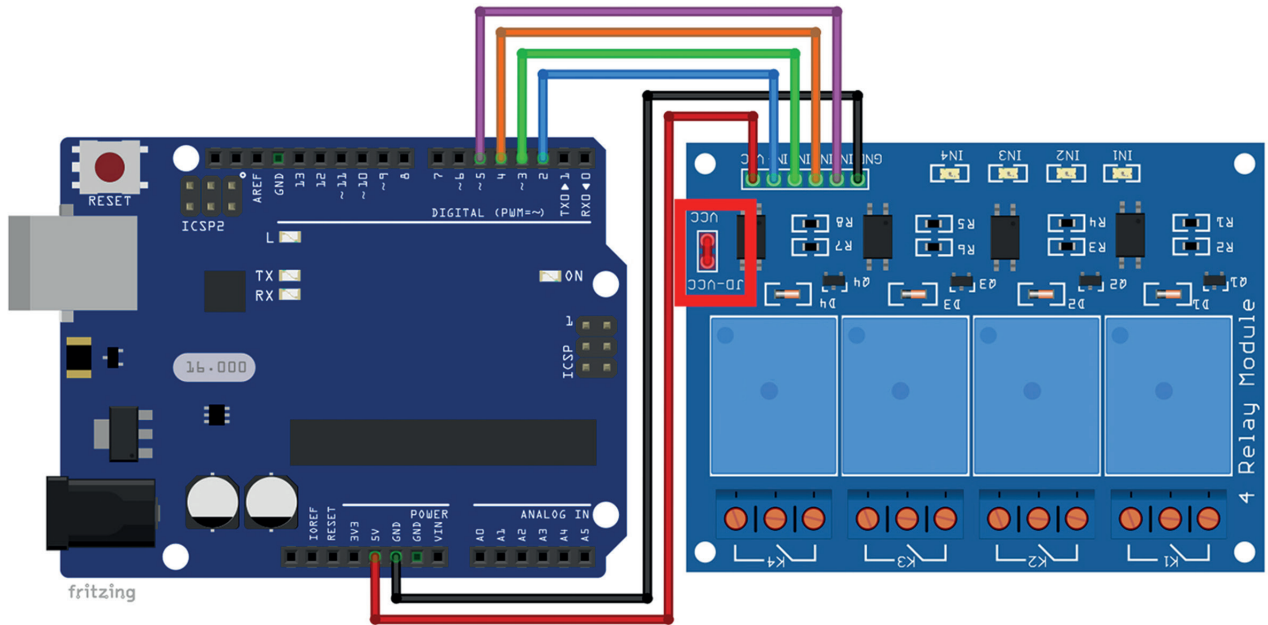
5. Output

Each module of the relay has one NC (normally close), one NO (normally open) and one COM (Common) terminal. So there are 4 NC, 4 NO and 4 COM of the channel relay in total. NC stands for the normal close port contact and the state without power. NO stands for the normal open port contact and the state with power. COM means the common port. You can choose NC port or NO port according to whether power or not.

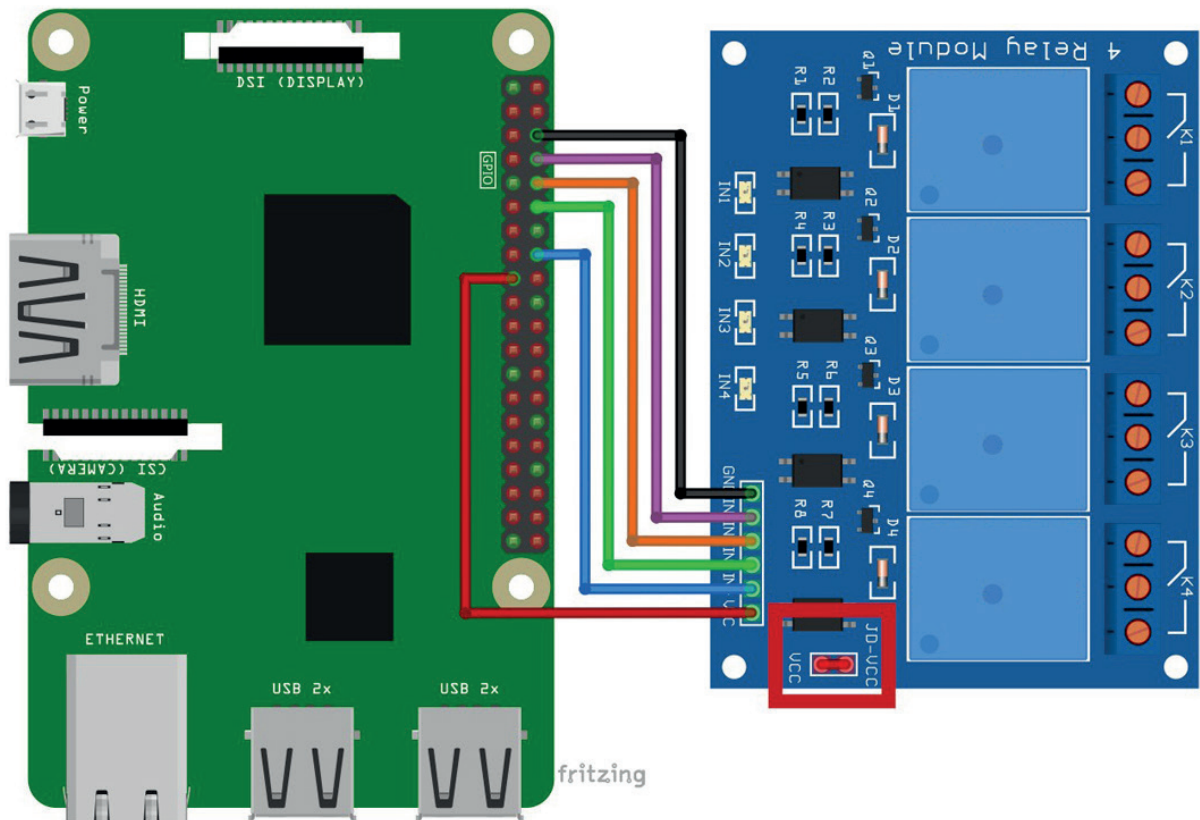
6. Testing Setup

When a low level is supplied to signal terminal of the 4-channel relay, the LED at the output terminal will light up. Otherwise, it will turn off. If a periodic high and low level is supplied to the signal terminal, you can see the LED will cycle between on and off.

7. Connection Diagram



Module Pin	Microcontroller Pin
IN1	D2 - Purple Wire
IN2	D3 - Orange Wire
IN3	D4 - Green Wire
IN4	D5 - Blue Wire
GND	GND - Black Wire
VCC	5V - Red Wire



Module Pin	Microcontroller Pin
GND	GND - Black Wire (Pin 6)
IN1	GPIO14 - Purple Wire (Pin 8)
IN2	GPIO15 - Orange Wire (Pin 10)
IN3	GPIO18 - Green Wire (Pin 12)
IN4	GPIO23 - Blue Wire (Pin 16)
VCC	3V3 - Red Wire (Pin 17)

NOTE: As you can see in the red rectangle on the connection diagram, external power supply jumper is connected, connecting JD-VCC pin with VCC pin. This means that the 4 relays module will be powered up from Microcontroller Board via VCC pin.



SAFETY WARNING!

When doing projects that are connected to mains voltage, misuse may lead to serious electrical shock!

For the sake of your own safety, be 100% sure what you are doing! Otherwise, ask someone who knows!

According to Current regulations, working with mains voltage is reserved for qualified electricians only!