

220V zu 5V Mini Netzteil Datenblatt



Content:

- [1. Basic Specifications](#)
- [2. Input Characteristics](#)
- [3. Output Characteristics](#)
- [4. Environmental Characteristics](#)
- [5. Protection Characteristics](#)
- [6. Schematics & Dimensions](#)
- [7. Warning](#)

1. Basic Specifications

- Low-power, green, no-load loss <0.1W
- Low ripple, low noise
- Good output short circuit and overcurrent protection and self recovery
- High efficiency, high power density
- High reliability, long life design
- Economic solutions, cost-effective

The AZ-Delivery Mini Power Supply is used to supply power to Microcontrollers.

The power supply unit must be mounted on a carrier board!

For better stability please add 100uF Electrolytic Capacitor on the output.

2. Input Characteristics

Voltage Range	100V - 240V
Frequency Range	48Hz - 62Hz
AC Current	40 mA/230 VAC
Efficiency	72 %

3. Output Characteristics

Voltage	5V
Voltage Tolerance	2.5%
Rated Current	600mA
Current Range	0 ~ 600mA
Rated Power	3W
Ripple	100mVp-p

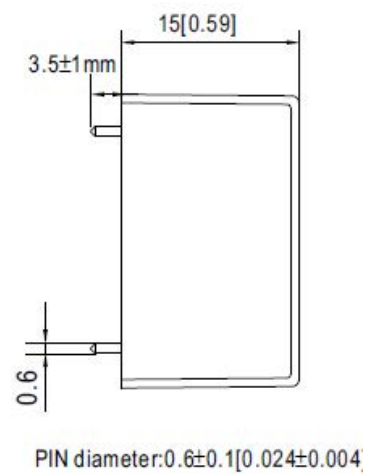
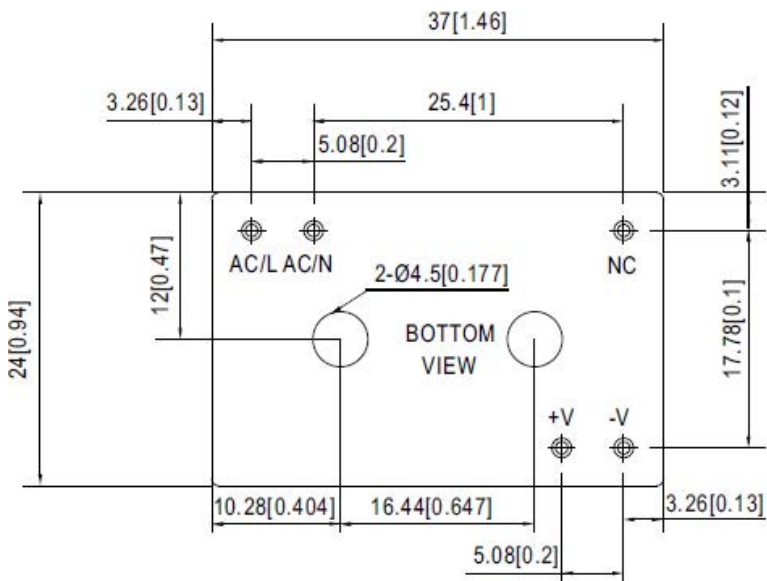
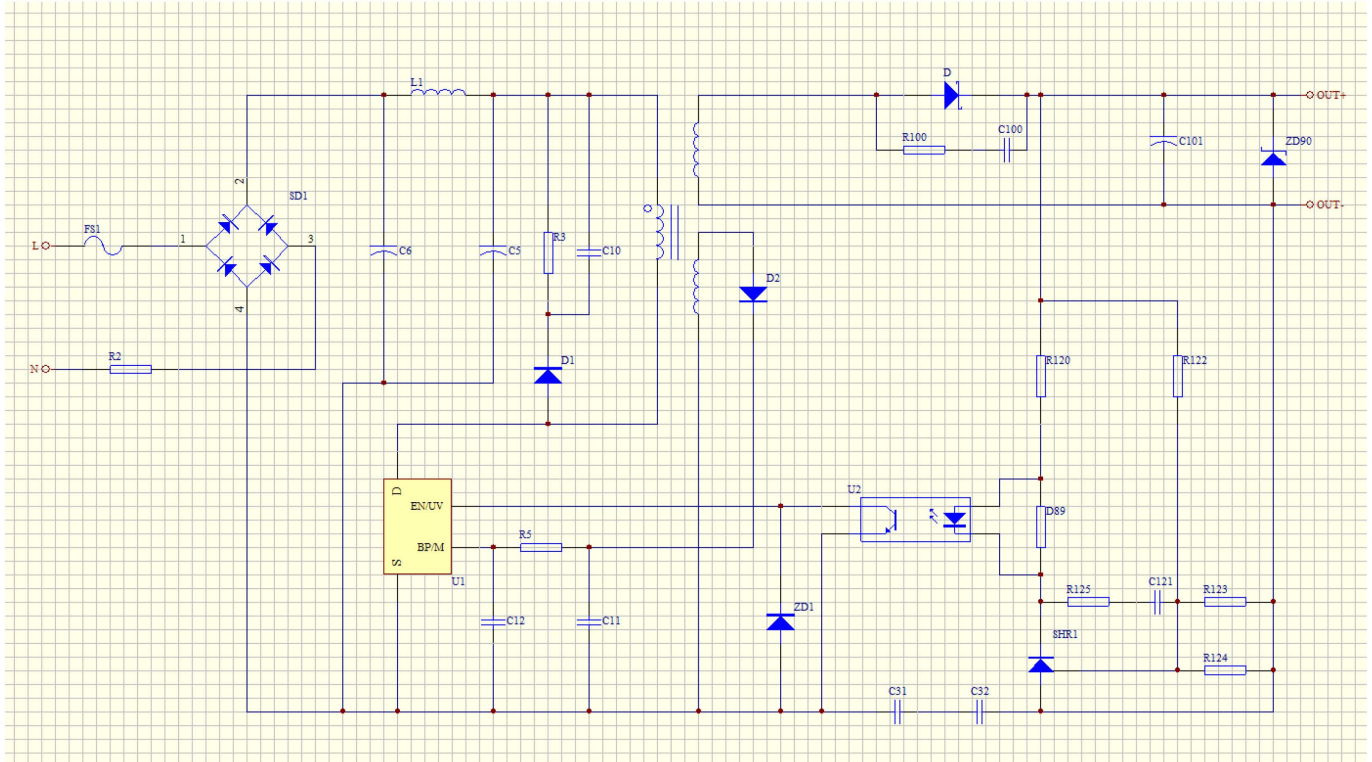
4. Environmental Characteristics

Working Temperature	-10°C ~ +60°C
Working Humidity	20% ~ 90% RH non-condensing
Temperature Coefficient	±0.03%/°C (0 ~ 50°C)

5. Protection Characteristics

Overload	Recovers automatically after fault condition is removed
Overvoltage	Shut off o/p voltage, clamping by zener diode

6. Schematics & Dimensions



7. Warning



SAFETY WARNING!

When doing projects that are connected to mains voltage, misuse may lead to serious electrical shock!

For the sake of your own safety, be 100% sure what you are doing! Otherwise, ask someone who knows!

**According to Current regulations,
working with mains voltage is reserved for qualified
electricians only!**

AZ-Delivery

Ihr Experte für Mikroelektronik!

For top quality microelectronics, we are your go to. We provide an array of application examples, full installation guides, eBooks, libraries, and all-round assistance. AZ-Delivery, your microelectronics expert!