

## 1,77 Zoll 128x160 Pixel SPI TFT-Display Datenblatt



## Content:

- [1. Basic Specifications](#)
- [2. Electrical Characteristics](#)
- [3. Pinout](#)
- [4. Connection Diagrams](#)

## 1. Basic Specifications

- Module dimensions: 34 mm x 54 mm x 3.5 mm (12 mm including Pins)
- View area: 28 mm x 35 mm
- Resolution: 128 x 160 Pixels
- Display Driver: ST7735S
- Driver IC Interface: SPI
- Operating voltage: from 2.7V to 3.3V DC
- Operating current: ~50mA

## 2. Electrical Characteristics

Item	Symbol	Unit	Condition	Min.	Typ.	Max.
<b>Power and Operation Voltage</b>						
Analog Operating Voltage	VCI	V	Operating Voltage	2.5	2.8	3.3
Logic Operating Voltage	VDDI	V	I/O Supply Voltage	1.65	2.8	3.3
Digital Operating Voltage	VCORE	V	Digital Supply Voltage	-	1.5	-
Gate Driver High Voltage	VGH	V	-	12.0	-	21.0
Gate Driver Low Voltage	VGL	V	-	-12.5	-	-7.0
Driver Supply Voltage	-	V	[ VGH-VGL ]	-	-	32
<b>Input and Output</b>						
Logic High Level Input Voltage	VIH	V	-	0.7*VDDI	-	VDDI
Logic Low Level Input Voltage	VIL	V	-	VSS	-	0.3*VDDI
Logic High Level Output Voltage	VOH	V	IOL=-1.0mA	0.8*VDDI	-	VDDI
Logic Low Level Output Voltage	VOL	V	IOL=1.0mA	VSS	-	0.2*VDDI
Logic High Level Input Current	IIH	μA	-	-	-	1
Logic Low Level Input Current	IIL	μA	-	-1	-	-
Logic Input Leakage Current	ILEA	μA	VIN=VDDI or VSS	-0.1	-	+0.1

### Notes:

1. VDDI = 1.65V to 3.3V, VCI = 2.5V to 3.3V, AGND = VSS = 0V, Ta = -30 °C to 70 °C (to +85 no damage)

2. Please supply digital VDDI voltage equal or less than analog VCI Voltage.

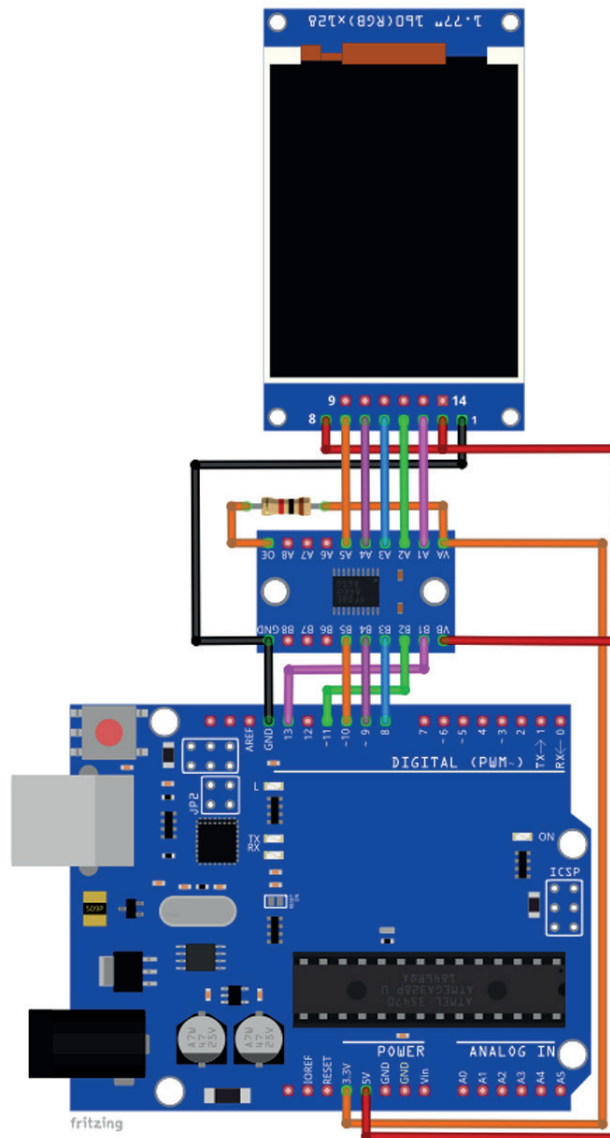
## Pinout:

BACKGROUND LIGHT - LED A  
CHIP SELECTION - CS  
REGISTER SELECT - RS  
RESET - RES  
SPI MISO - SDA  
SPI SCK - SCL  
POWER SUPPLY - VCC  
GROUND - GND

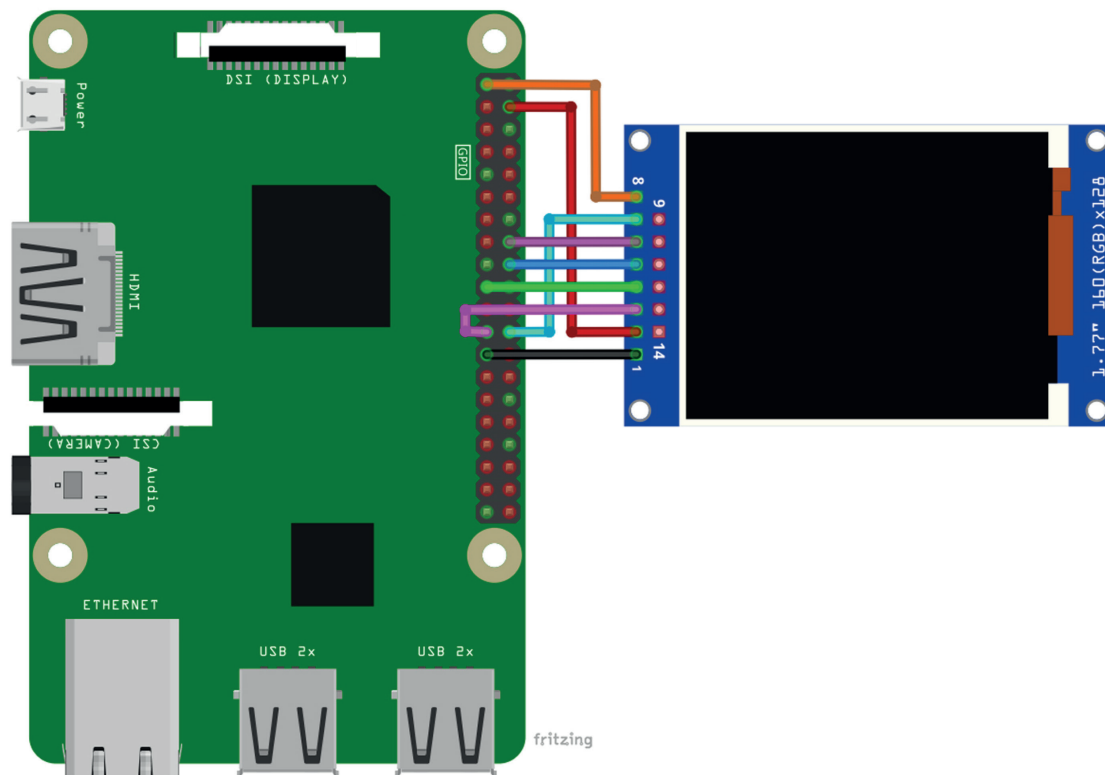


## 4. Connection Diagrams

Connect the 1.77 Inch SPI TFT Display with the Microcontroller compatible with Arduino as shown on the following connection diagram:



Connect the 1.77 Inch SPI TFT Display with the Microcontroller Compatible with Raspberry Pi as shown on the following connection diagram:



# AZ-Delivery

Ihr Experte für Mikroelektronik!

If you are looking for the high quality products for Arduino and Raspberry Pi, AZ-Delivery Vertriebs GmbH is the right company to get them from. You will be provided with numerous application examples, full installation guides, eBooks, libraries and assistance from our technical experts.