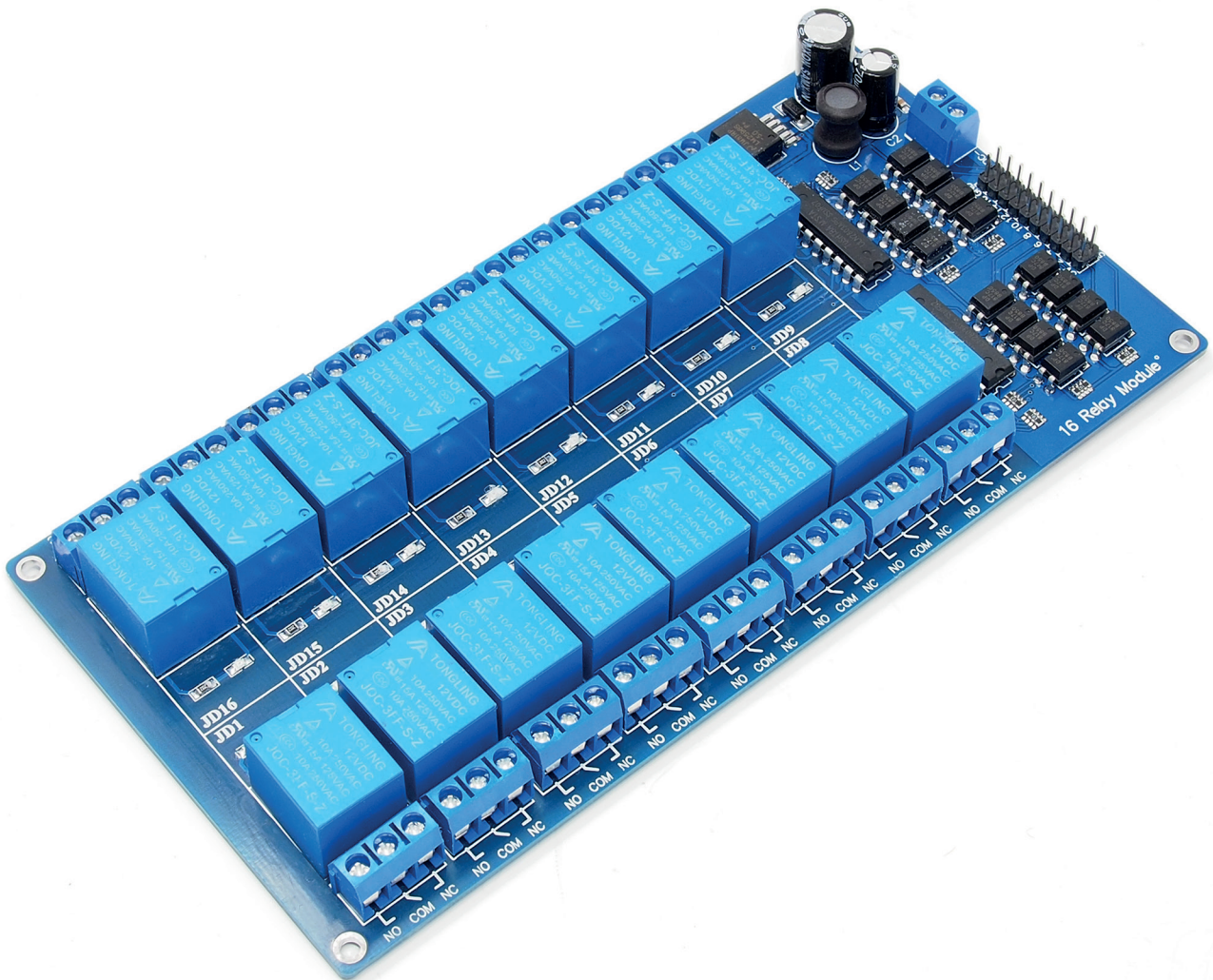


16-Relais Modul Datenblatt



Contents:

- 1. Features**
- 2. Pinout Diagram**
- 3. Schematic**

1. Features

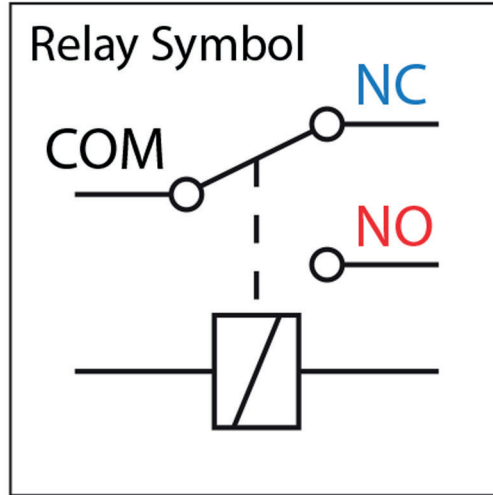
- 16 Channels of relay drive, largest factor of series
- Opto-isolator controlled and Darlington transistor array driven relays
- 12V Powered, 5V Controlled (requires external 12Vdc power source to energize all relays coil)
- Built-in indicator LEDs for each channel
- Equipped with 250V 10A relay
- SPDT Configuration for all relay channels



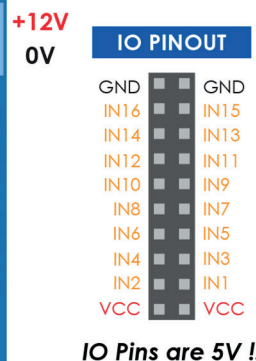
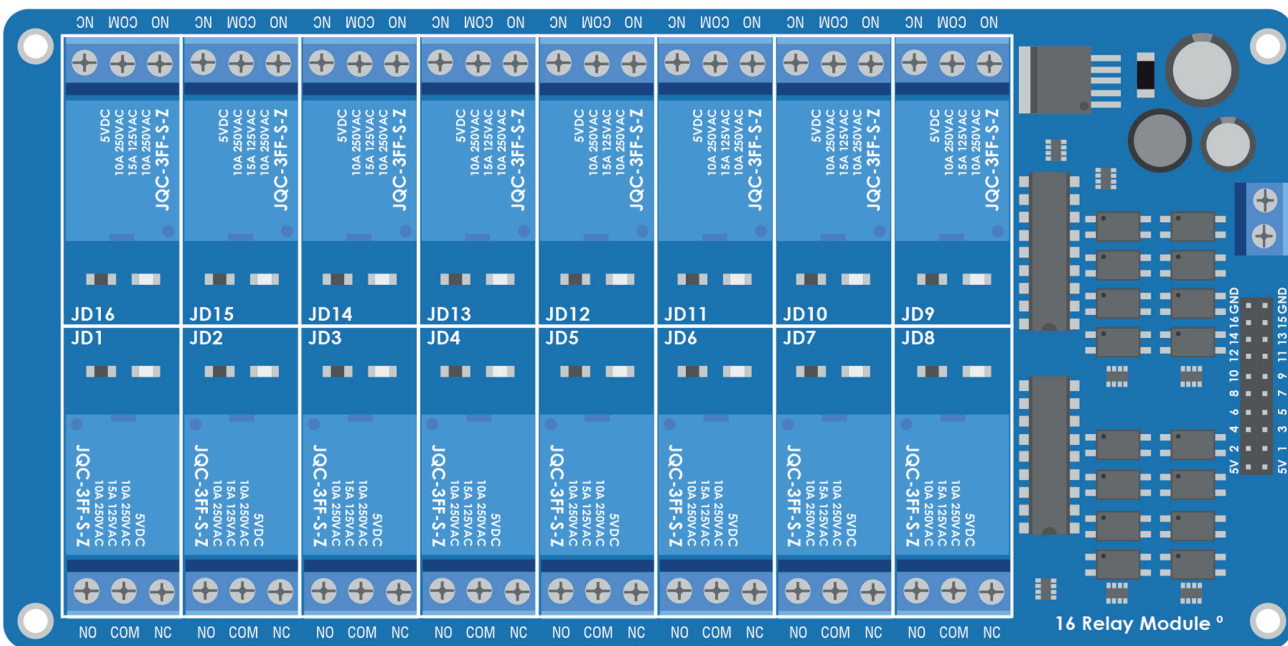
SAFETY WARNING!

When you are making projects that are connected to mains voltage, you really need to know what you are doing otherwise you may shock yourself. This is a serious topic and we want you to be safe. If you are not 100% sure what you are doing, do yourself a favor and don't touch anything. Ask someone who knows!

2. Pinout Diagram



NC16
COM16
NO16
NC15
COM15
NO15
NC14
COM14
NO14
NC13
COM13
NO13
NC12
COM12
NO12
NC11
COM11
NO11
NC10
COM10
NO10
NC9
COM9
NO9



NC1
COM1
NO1
NC2
COM2
NO2
NC3
COM3
NO3
NC4
COM4
NO4
NC5
COM5
NO5
NC6
COM6
NO6
NC7
COM7
NO7
NC8
COM8
NO8

Safety Precaution: Do not connect VCC to GND !!! (short circuit)

3. Schematic

