

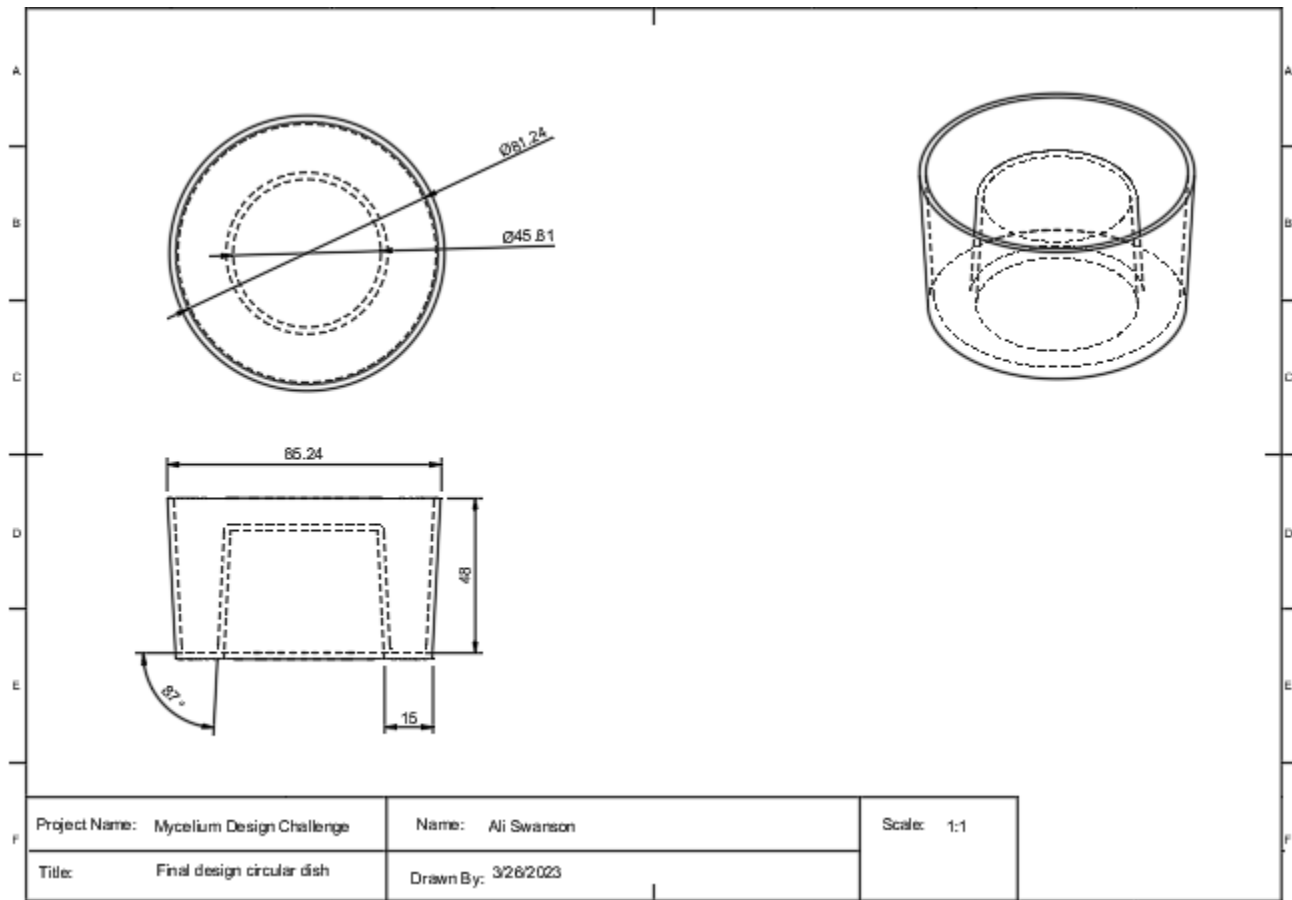
Lesson 9: Build your prototype

Objectives:

1. Create a custom title block for your designs.
2. Finalize the Fusion 360 design and create a document drawing.
3. Print your design.

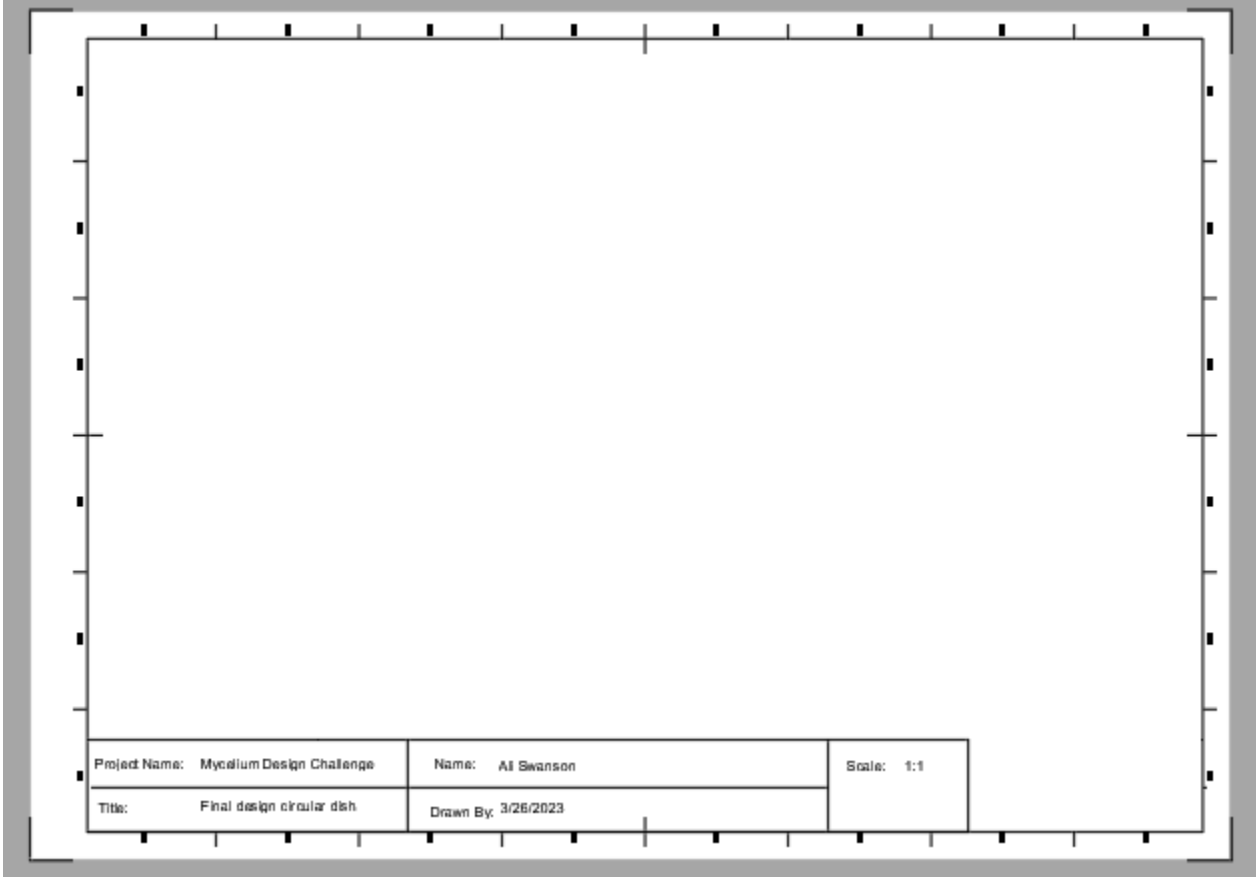
Introduction:

In Lesson 5 you learned how to create a multiview sketch of an object using grid paper. This standardized format helps communicate vital aspects of a design so that it can be manufactured as intended. Fusion 360 has the capability to create a multiview sketch, known as a 'document drawing'. A document drawing will contain the isometric object, as well as different two dimensional or 'orthographic' projections. It also contains a 'title block' which contains information about the design project.

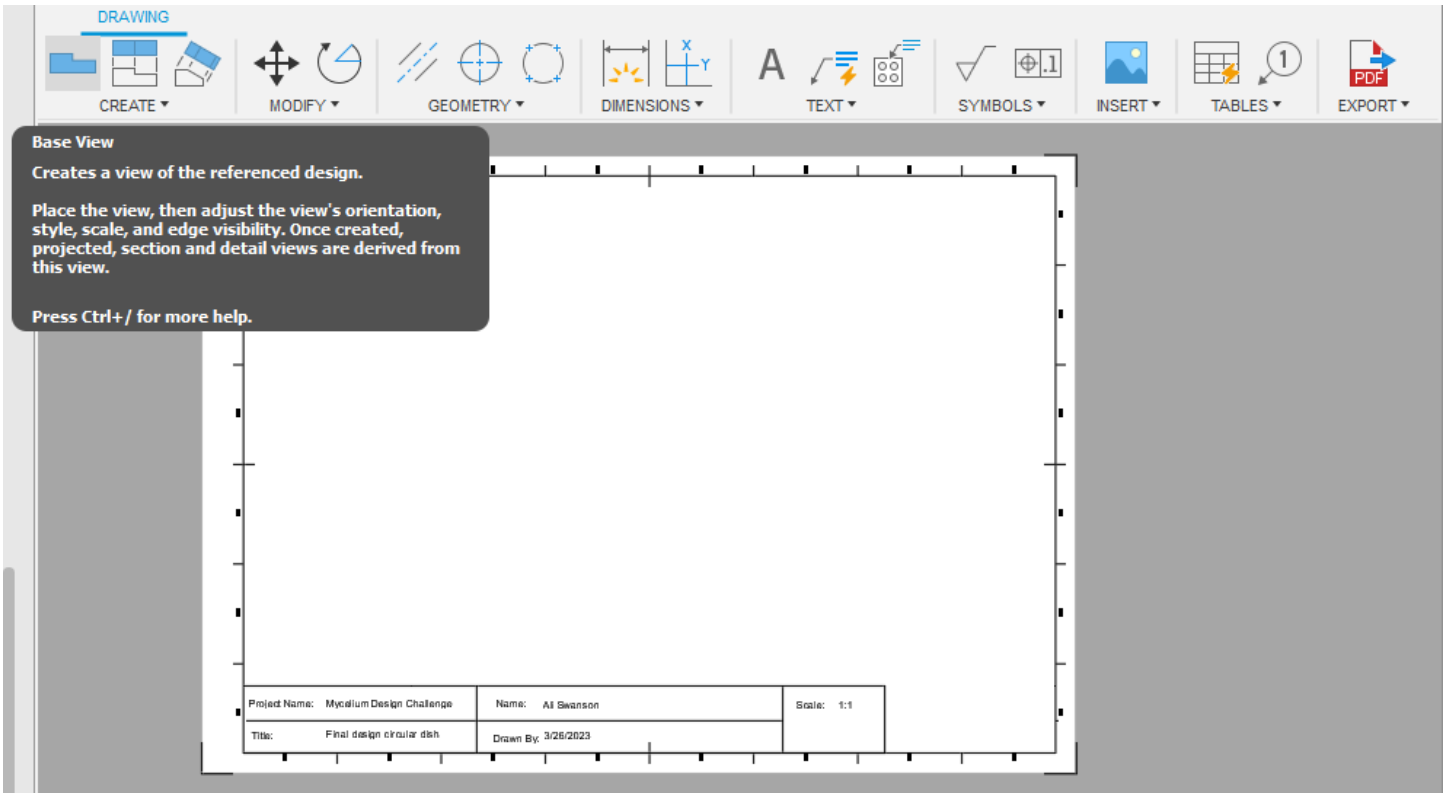


Create your own document drawing

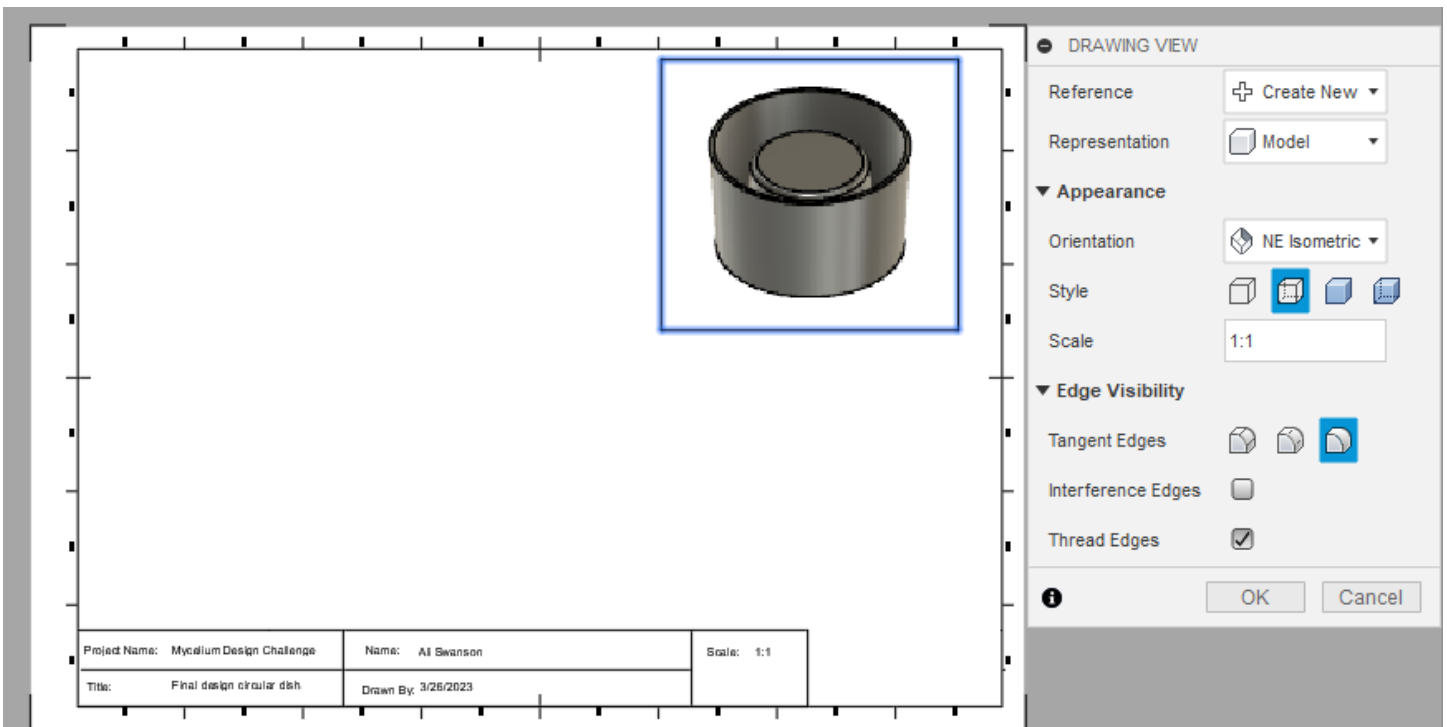
1. Download the [Project Title Block](#).
2. Then, in your Data Panel on Fusion, Upload it. Now you are ready to create your own document drawing.
3. Open the file that contains your prototype. In this design, go to File - New Drawing - From Design - Template - Browse - Mycelium Design Challenge Title Block - OK.
4. You should no longer be in a Design file, but a Drawing file. It should look like this:

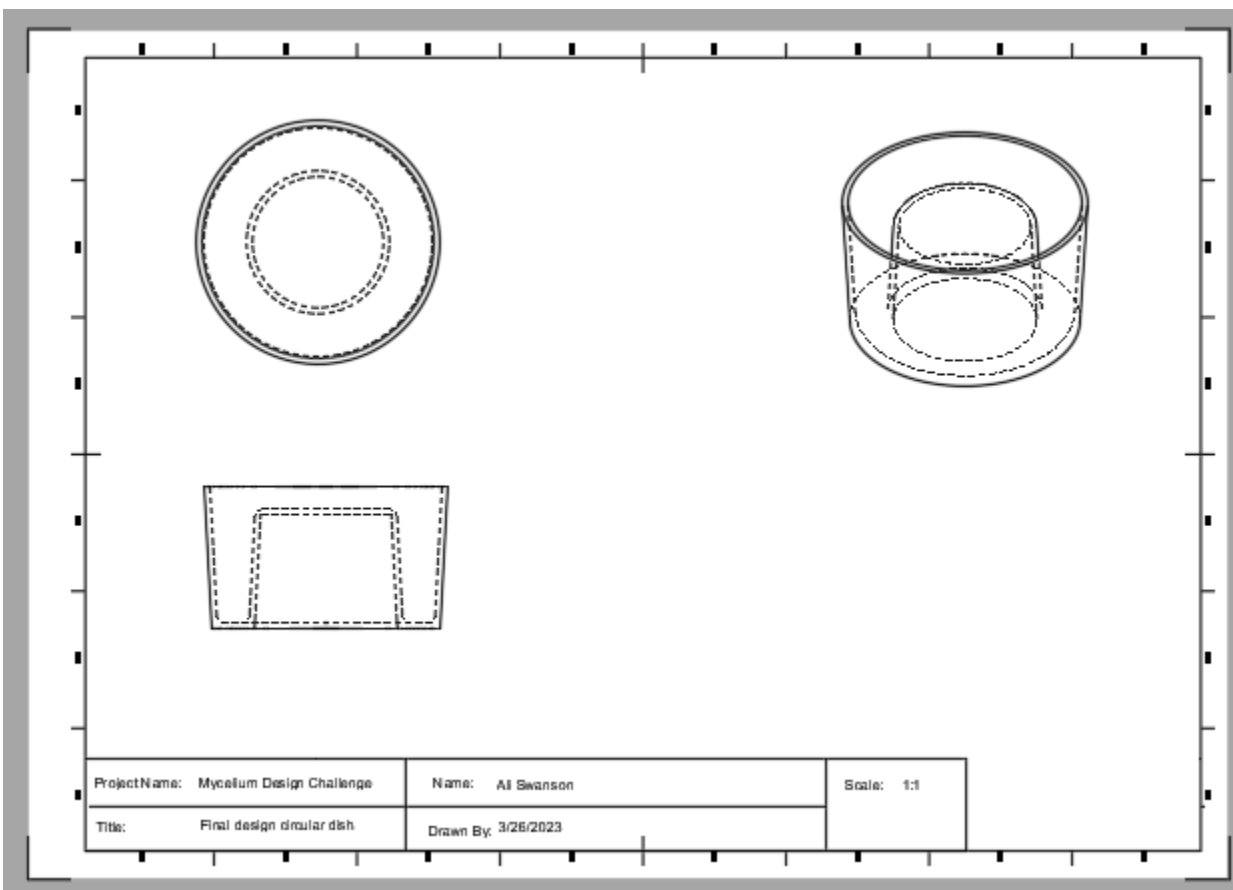
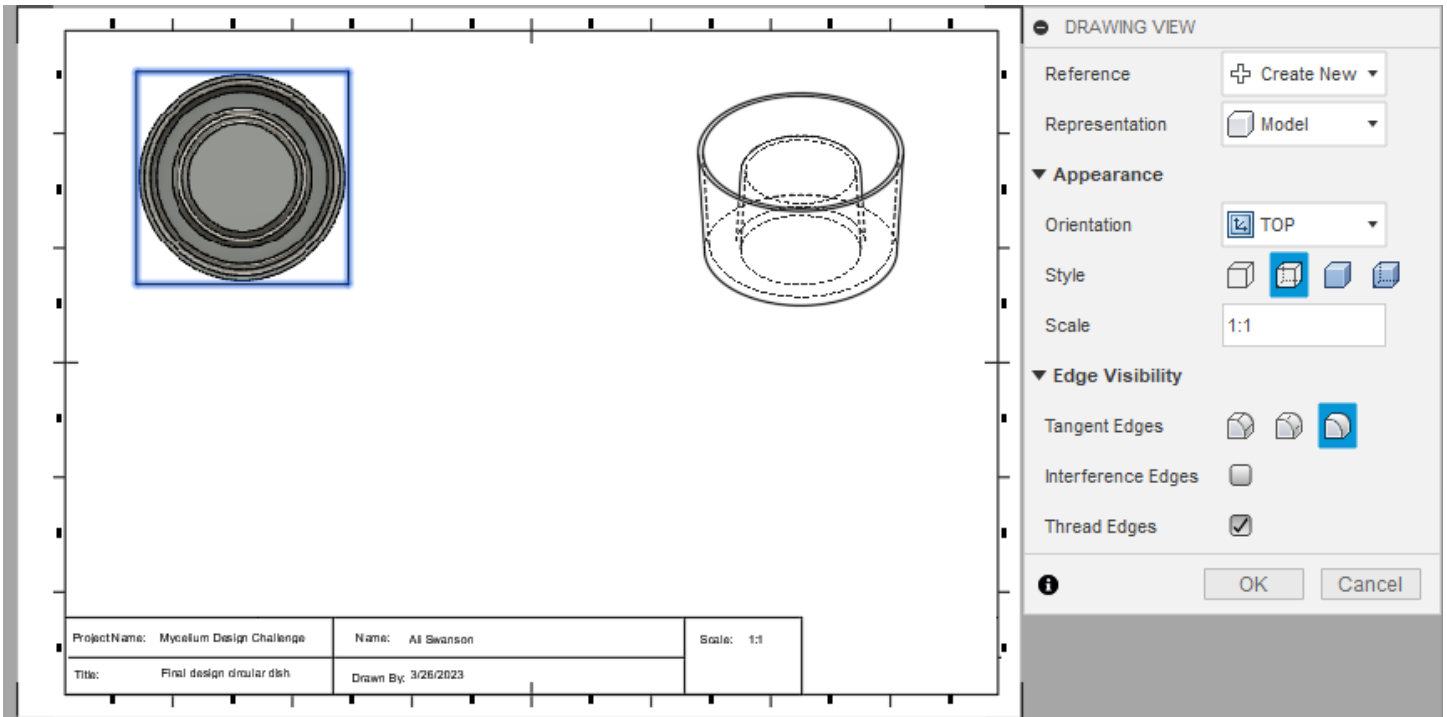


5. Go to Base View on the top left of the toolbar.

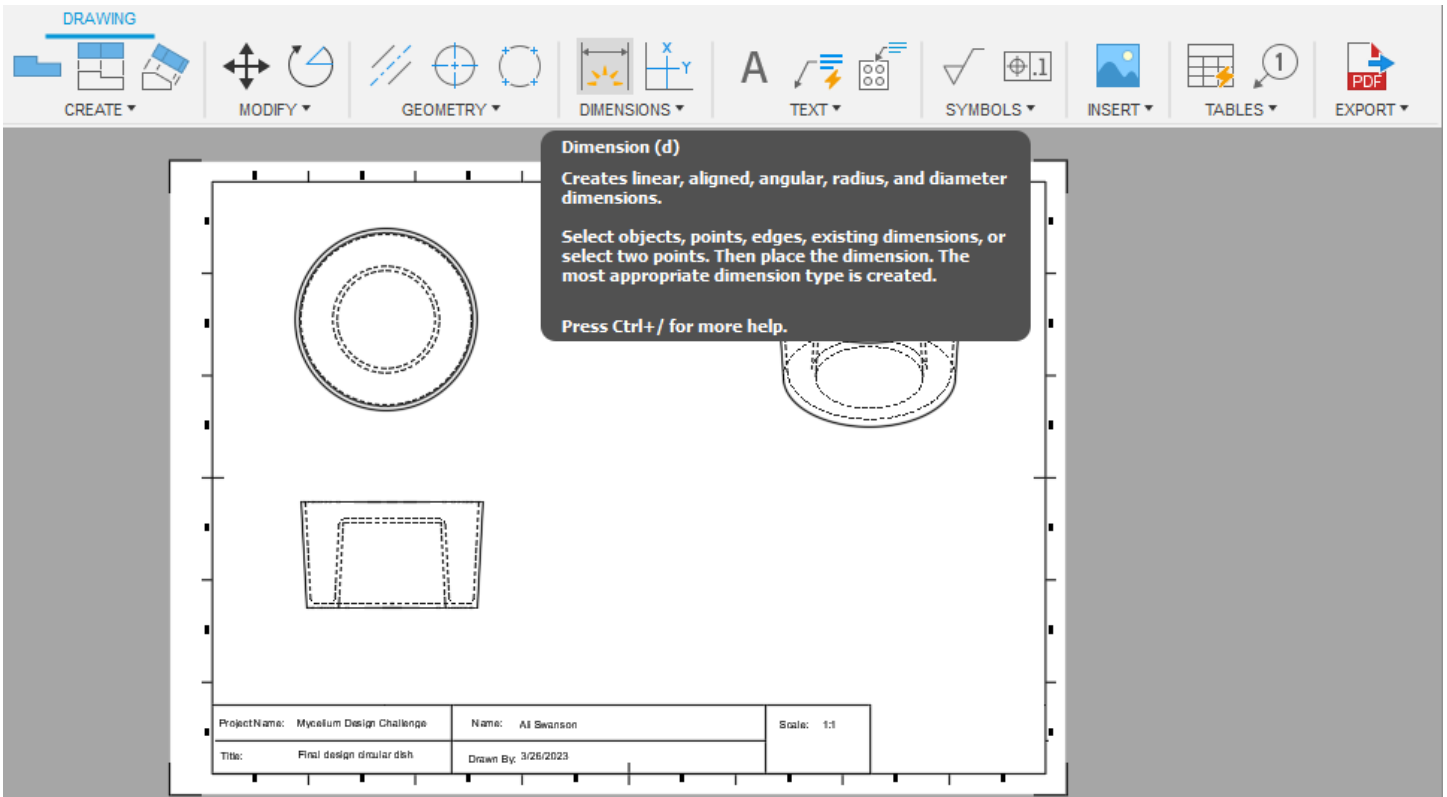


- Using this tool, find “orientation”. By changing orientation you will be able to input an isometric view, top view, front view, and right side view onto the document drawing. You may also choose to change the scale if it is too small or large to view.

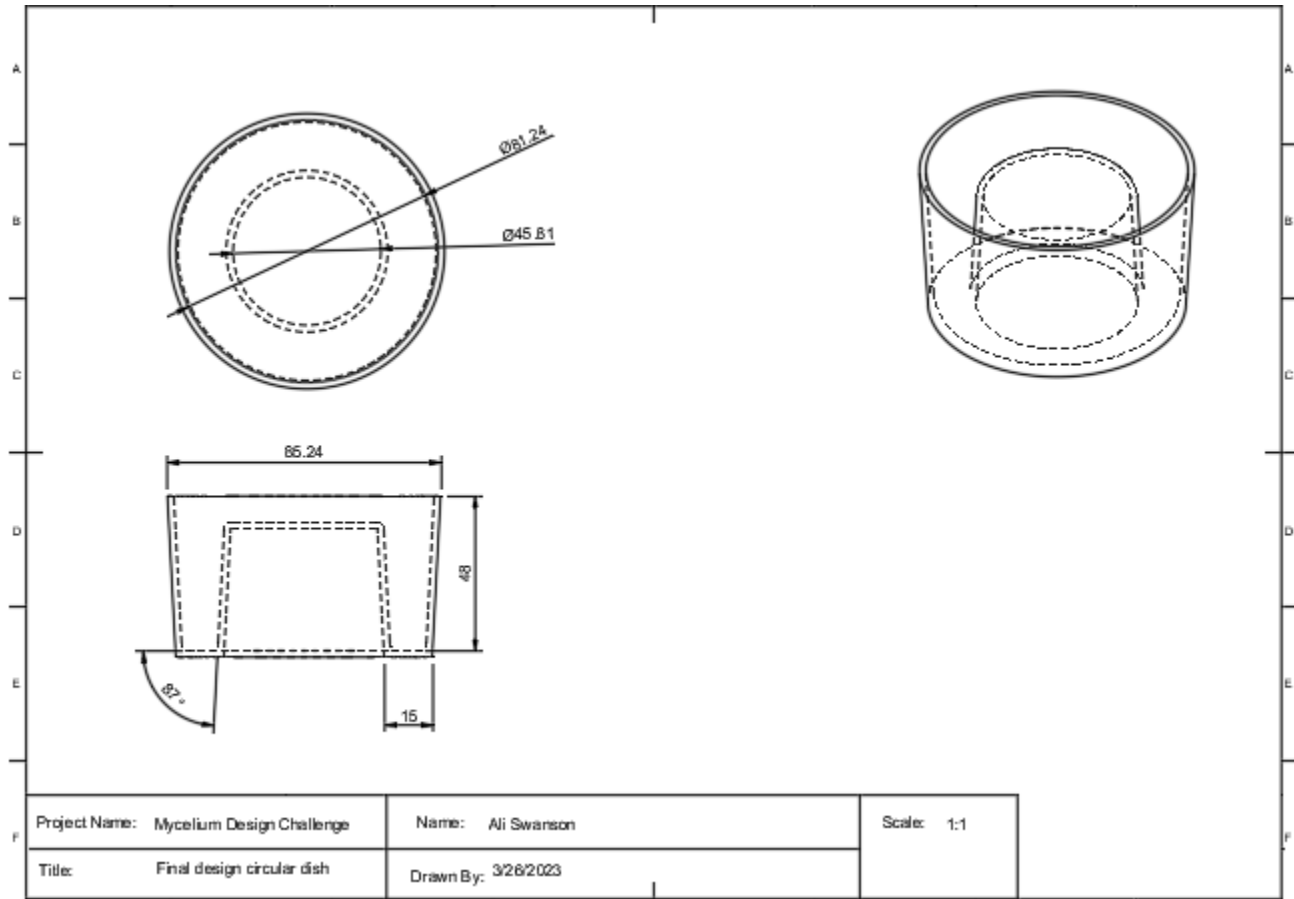




7. The last step is to add dimensions. You can find the dimension tool at the top toolbar here:



8. The finished product may look something like this:



9. Remember to SAVE your file. Right click on the file - Share Link - send the URL to your instructor.