

# D.1998

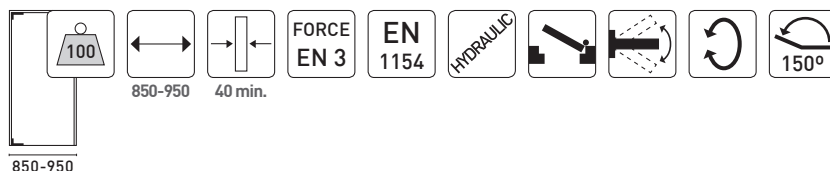
## JOGO GIRO PIVOT INFERIOR+SUPERIOR

Pivot inferior hidráulico com dupla acção

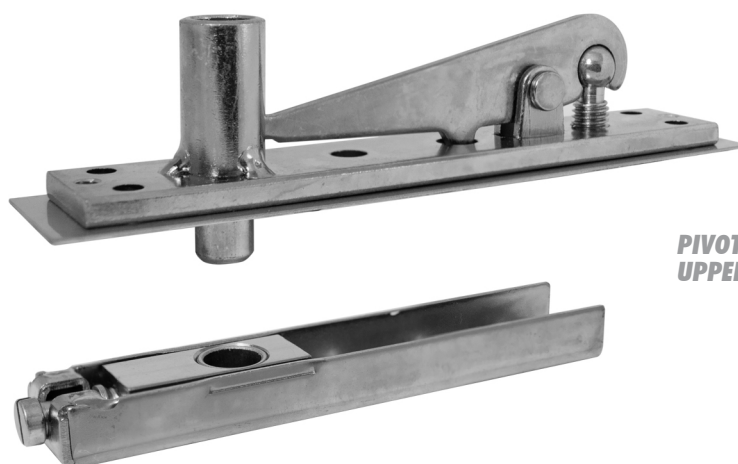
## UPPER+LOWER PIVOT SET

Hydraulic double action lower pivot

PARA PORTAS EM MADEIRA OU ALUMÍNIO  
FOR WOODEN AND ALUMINIUM DOORS



Testado / Tested



PIVOT SUPERIOR  
UPPER PIVOT

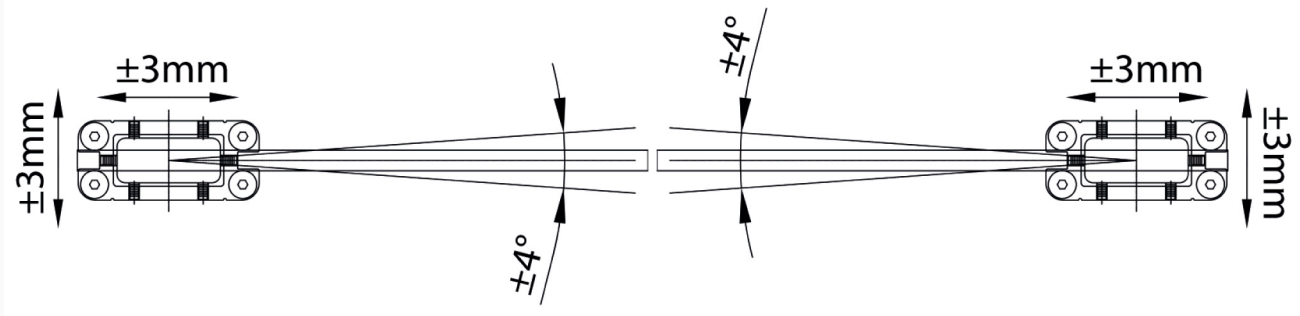


PIVOT INFERIOR HIDRÁULICO  
HYDRAULIC LOWER PIVOT

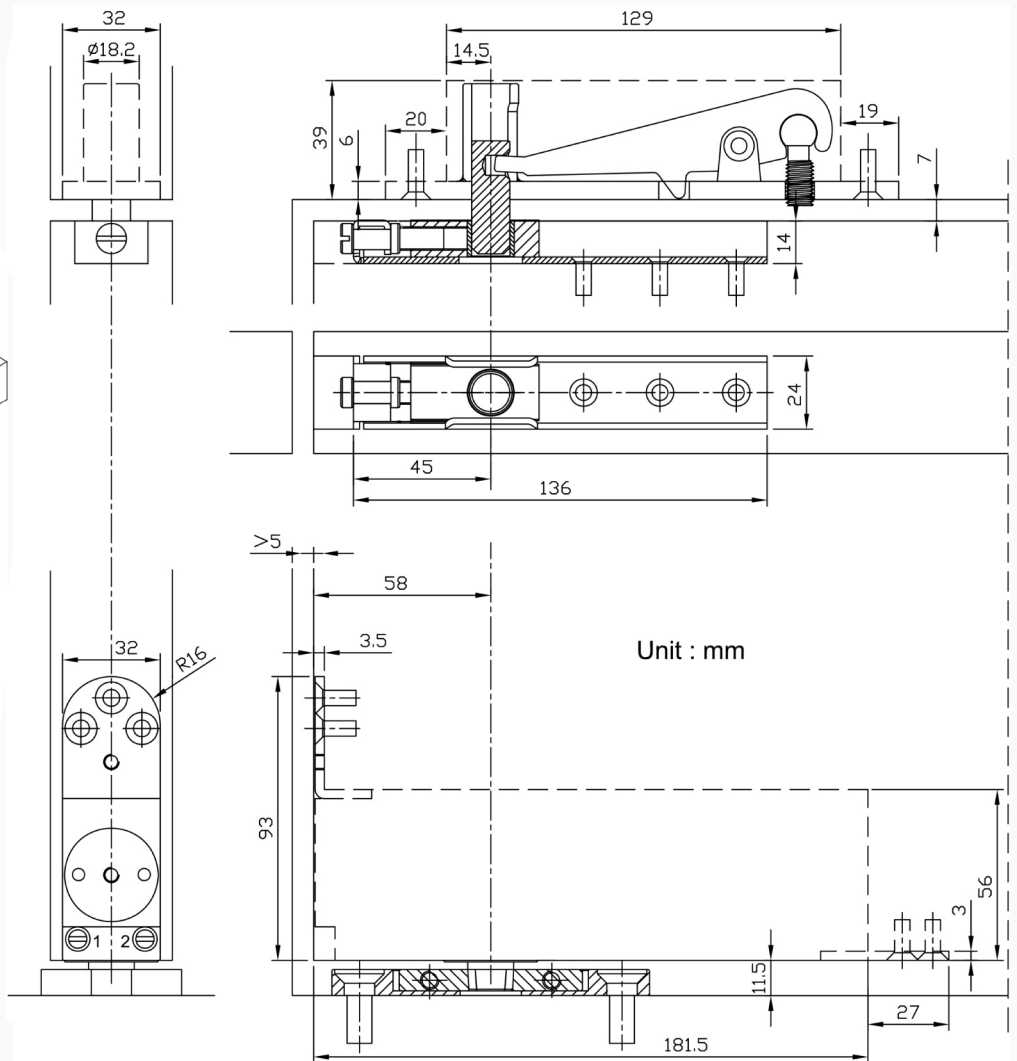
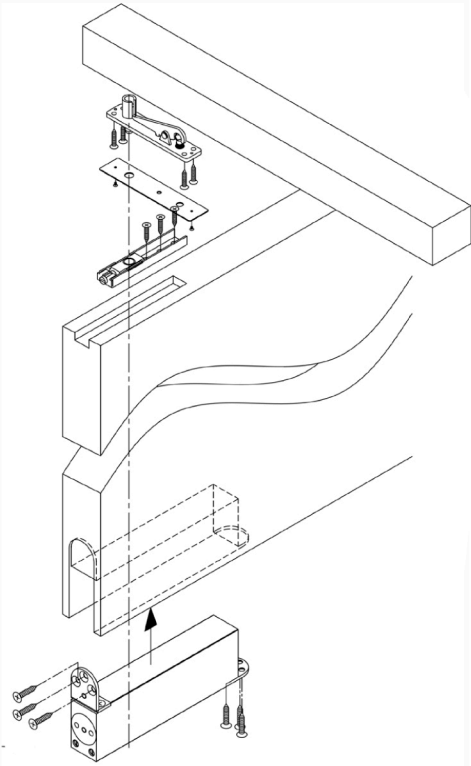
# D.1998

## APPLICATIONS AND MOUNTING

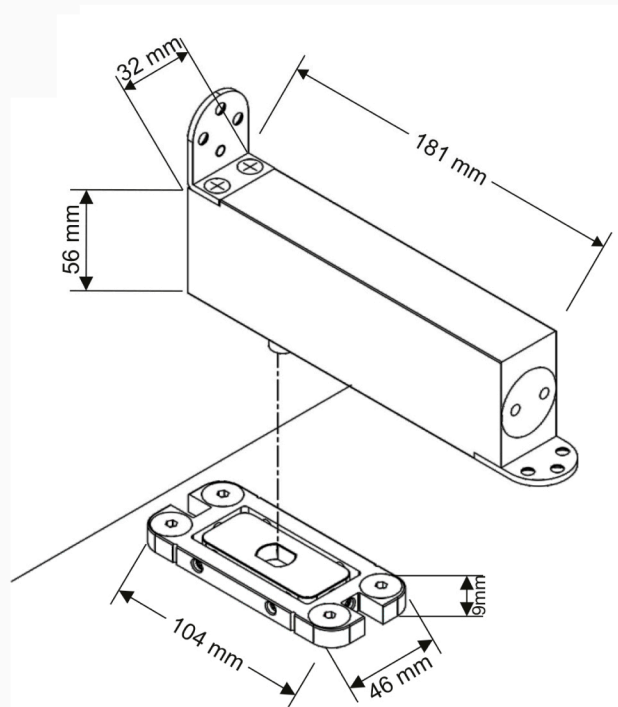
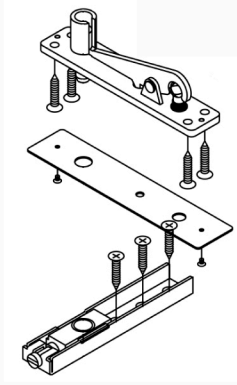
Adjustments	
Side	mm $\pm$ 3
Front	mm $\pm$ 3
Door alignment	$\pm$ 4°



# D.1998



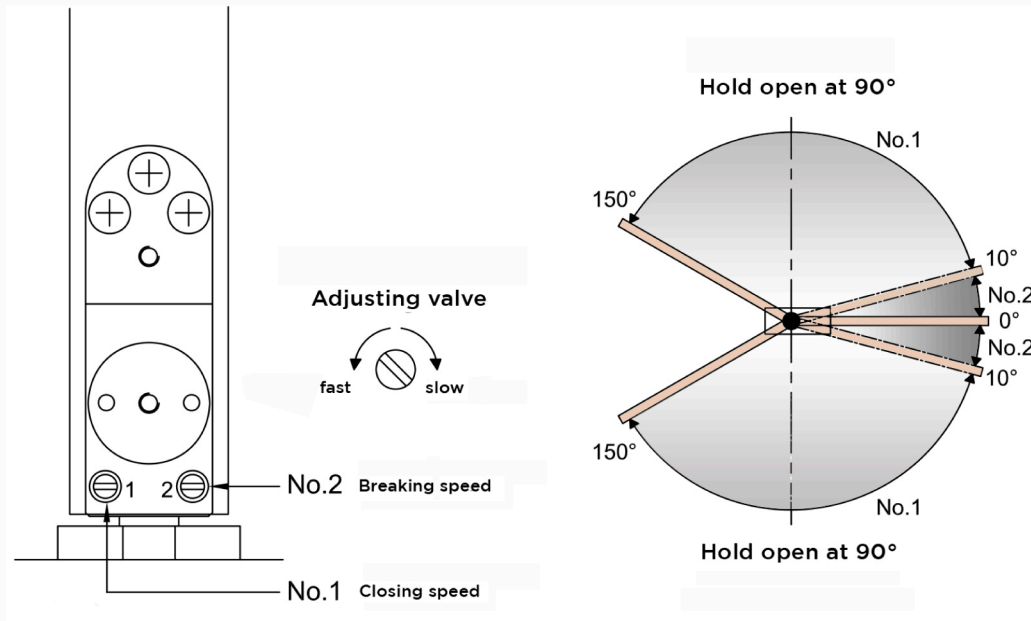
# D.1998



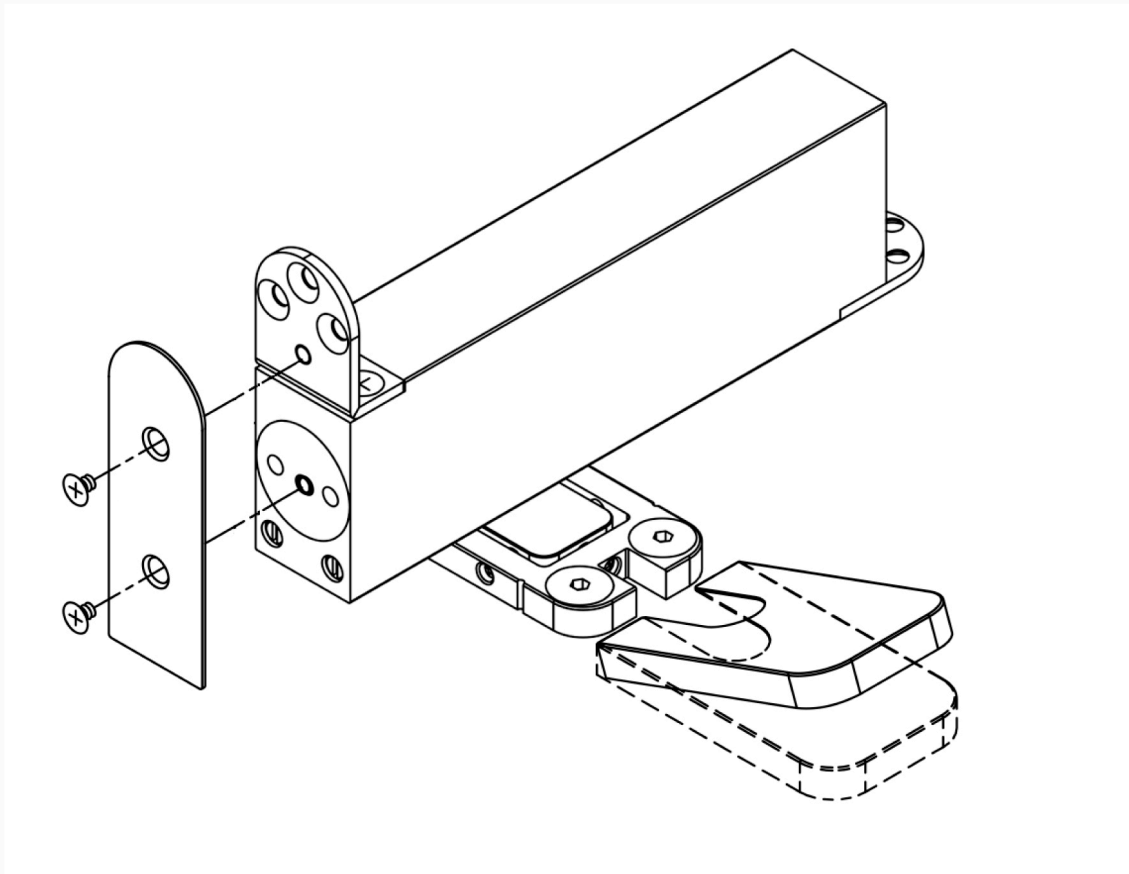
## TECHNICAL FEATURES

Power size	EN 3
Maximum door width	850 - 950 mm
Door weight	Max 100 Kg
Door thickness	≥40 mm
Operating temperature	-20°C / +50°C
Non - Handed Double action door	DIN right - DIN left Yes
Adjustable closing speed	150° - 10°
Adjustable braking speed	10° - 0°
Angle of opening	Max 150°
Hold open	90° Non hold open version on request
Cover standard finishes	Satin steel Polish steel
Dimensions	Length 181 mm Height 56 mm Thick 32 mm
Packaging	Box in 1's
Weight (box included)	Kg 2,30

## CLOSING SPEED



## COMPONENTS



# D.1999

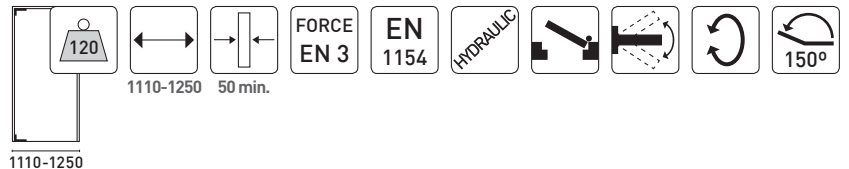
## JOGO GIRO PIVOT INFERIOR+SUPERIOR

Pivot inferior hidráulico com dupla acção

## UPPER+LOWER PIVOT SET

Hydraulic double action lower pivot

PARA PORTAS EM MADEIRA OU ALUMÍNIO  
FOR WOODEN AND ALUMINIUM DOORS



Testado / Tested



PIVOT SUPERIOR  
UPPER PIVOT

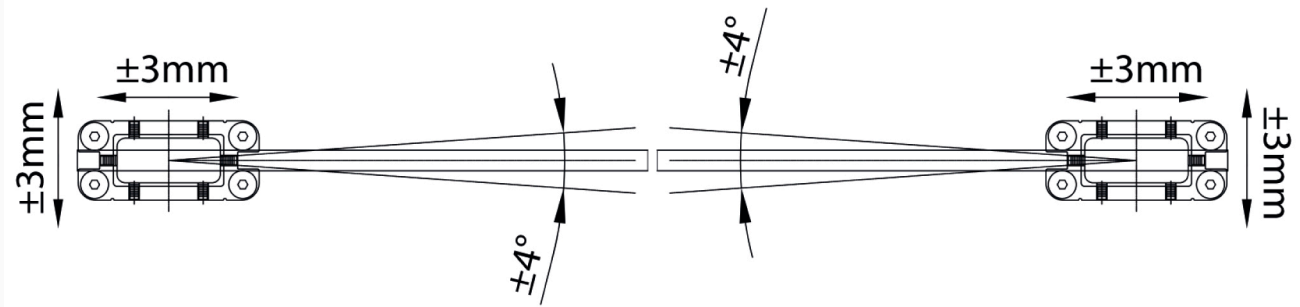


PIVOT INFERIOR HIDRÁULICO  
HYDRAULIC LOWER PIVOT

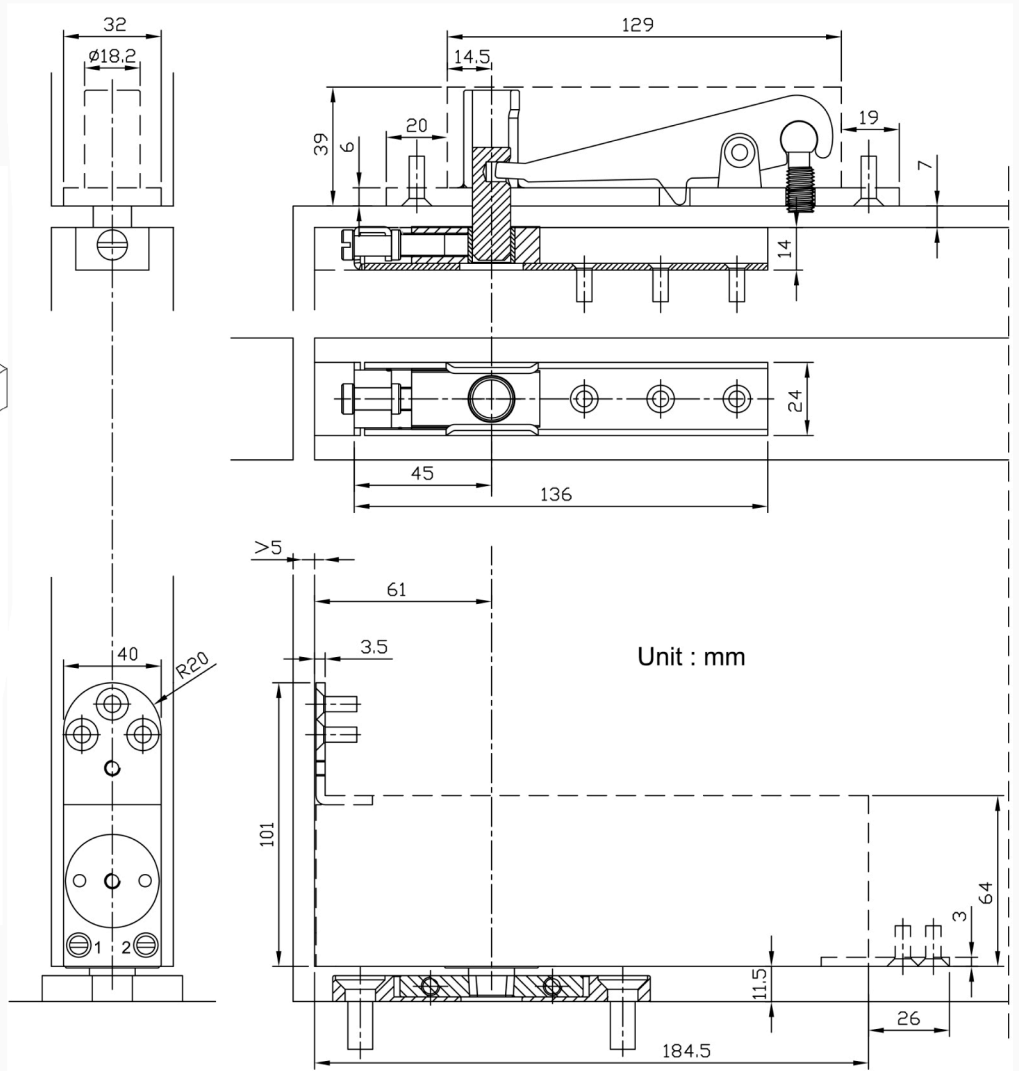
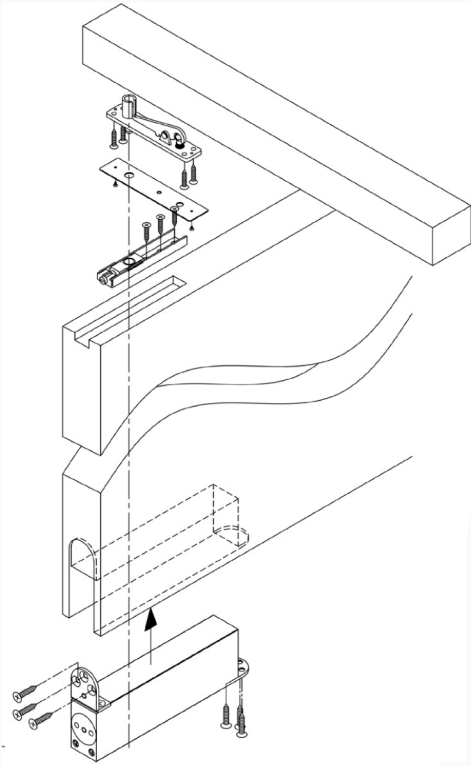
# D.1999

## APPLICATIONS AND MOUNTING

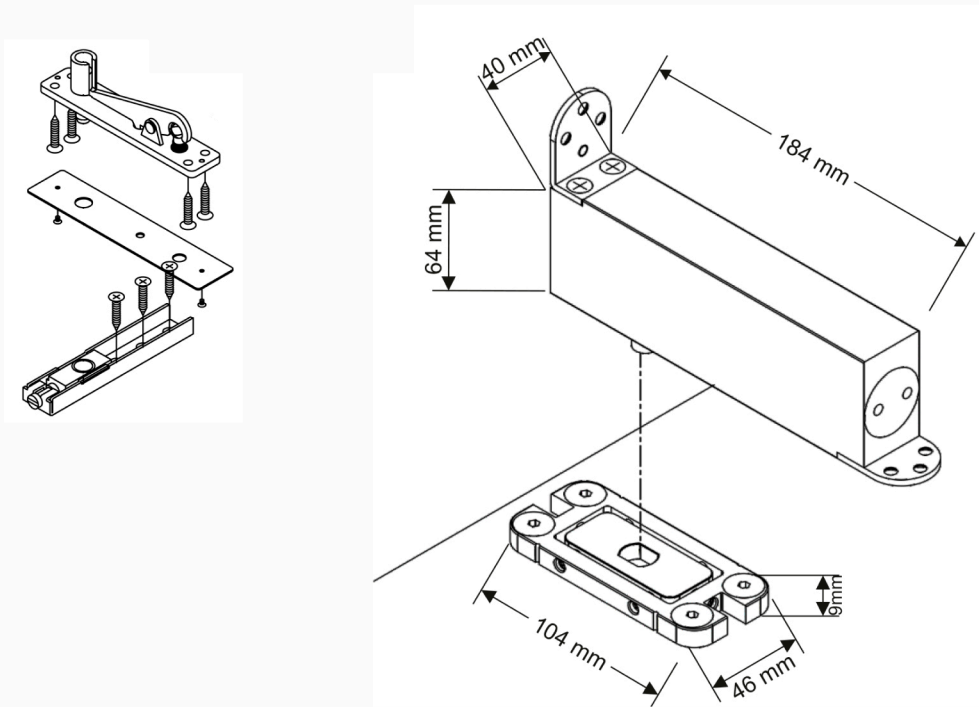
Adjustments	
Side	mm $\pm$ 3
Front	mm $\pm$ 3
Door alignment	$\pm$ 4°



# D.1999



# D.1999

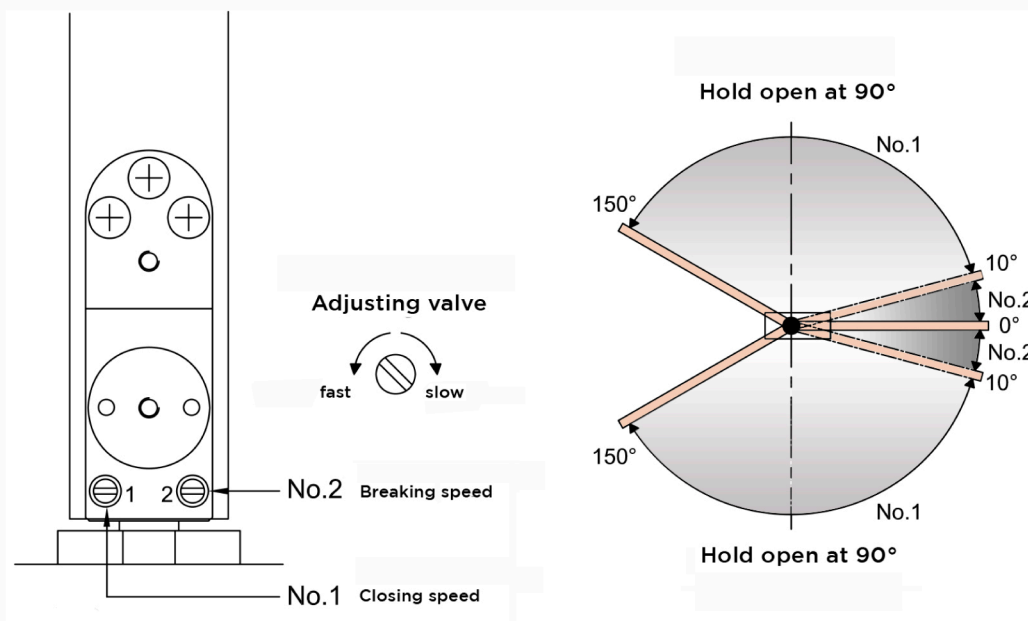


## TECHNICAL FEATURES

Power size	EN 5
Maximum door width	1100 - 1250 mm
Door weight	Max 120 Kg
Door thickness	≥50 mm
Operating temperature	-20°C / +50°C
Non - Handed Double action door	DIN right - DIN left Yes
Adjustable closing speed	150° - 10°
Adjustable braking speed	10° - 0°
Angle of opening	Max 150°
Hold open	90° Non hold open version on request
Cover standard finishes	Satin steel Polish steel
Dimensions	Length 184 mm Height 64 mm Thick 40 mm
Packaging	Box in 1's
Weight (box included)	Kg 2,80



## CLOSING SPEED



## COMPONENTS

