

G* GRASS®

VIONARO DRAWER SYSTEM

The cubist drawer system with a minimalist design combines the Dynapro slide system with a luxury look.





Perfect design needs no more than 13 millimetres.
Vionario – the slim-line classic design of tomorrow.

A constant reminder. Make sure your customers don't forget you.

We integrate your logo discreetly but noticeably into the stylish Vionario drawer side design.

You have the choice between durable and abrasion-resistant laser branding and a branding clip. This is a slim-line plastic clip in three colours that is easily added.



A clear form, a slim-line design and the highest quality materials – the pure elegance of Vionaro makes furniture look equally good in the kitchen, living room and bedroom.



Stylishly confident selection.

The elegant Vionaro drawer side is available in natural anodised aluminium or as a steel version in the colours snow white, silver grey and graphite.

Vionaro is a source of inspiration for living trends.

When you open the innovative Vionaro drawer system you are standing in front of a movement system vision that has come to life. Two purist twin-wall drawer sides made of aluminium or steel, a back panel and a front. That's it. It's hard to imagine more lightness and awareness. It means that furniture design can be reinvented every day. Sensual surfaces. Breathtaking linearity. Technology that has proven its worth millions of times over. Vionaro sparks the enthusiasm of designers and end users alike.



reddot award 2014

handlie.com



Compact and cleverly designed.
A smart solution. Vionaro features
the best of Dynapro.

Cleverly attached.

A slide for wooden drawers as well as Vionaro in steel or aluminium. With Dynapro, the track-proven GRASS concealed slide, Vionaro uses the same basis previously employed for wooden drawers.



Intelligent front holder.

Systematic stability: The front stabiliser integrated into the Vionaro drawer side permits the installation of high fronts up to 780 mm – without any railing at all.

**VIONARO DRAWER SYSTEM**

With Vionaro a superlative movement system makes its appearance on the stage of living and kitchen spaces – a logical consequence in the consistent development of pioneering GRASS solutions.



Vionaro combines the concealed slide system with perfected design in an extremely slim-line form. In this way it was possible to turn the red dot award winner Dynapro into a multifunctional system solution; when combined with Vionaro the synchronised concealed slide system with its high bearing capacity and low extension resistance becomes an ideal drawer system for modern living environments.

Vionaro combines functional technology with perfect form.



Good to know the movement is not only technically functional, but also extremely comfortable. Opening and closing is an experience every time.

It was never easier to open drawers. And it was never more satisfying to close them. The GRASS comfort systems and our movement solutions complement each other to form a harmonious multi-functional unit. We want to combine the advantages of handle-free opening with the elegance of damped closing, as the combination of these exceptional functions guarantees the highest possible level of operating comfort.

It's good to find things that were simply made for each other.

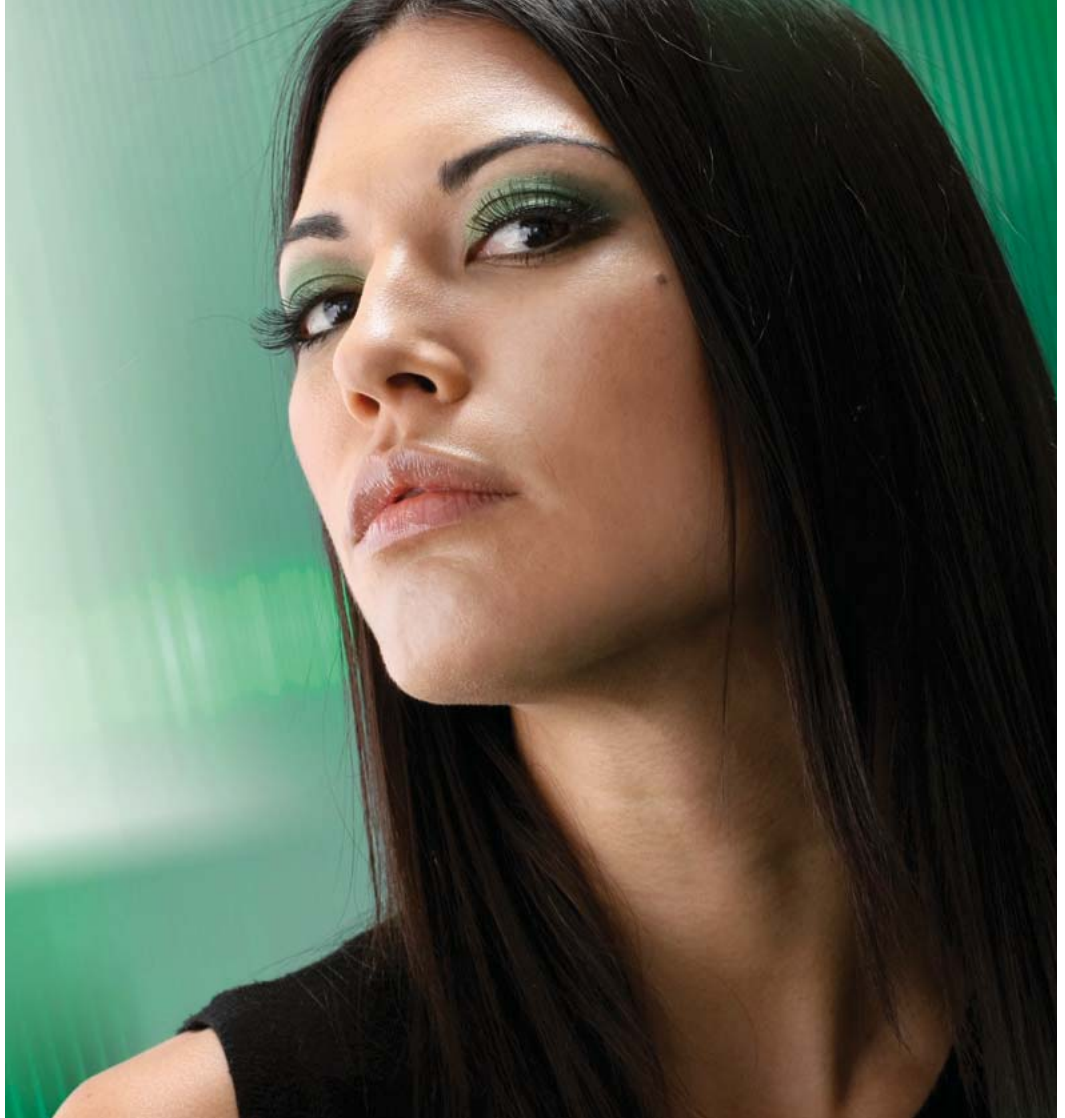


TIPMATIC OPENING SYSTEMS

Mechanical opening of regular and pot drawers.

Tipmatic offers optimum design options for stylish designer furniture. The touch-activated mechanism and synchronisation option enables the installation of large, handle-free fronts that open when gently tapped.

The new Tipmatic Soft-close opening system combines the advantages of mechanical opening with the comfort of the track-proven Soft-close damping, and with the 3-stage opening force adjustment ensures elegant motion irrespective of the weight and size of the furniture fronts.



SOFT-CLOSE DAMPING SYSTEM

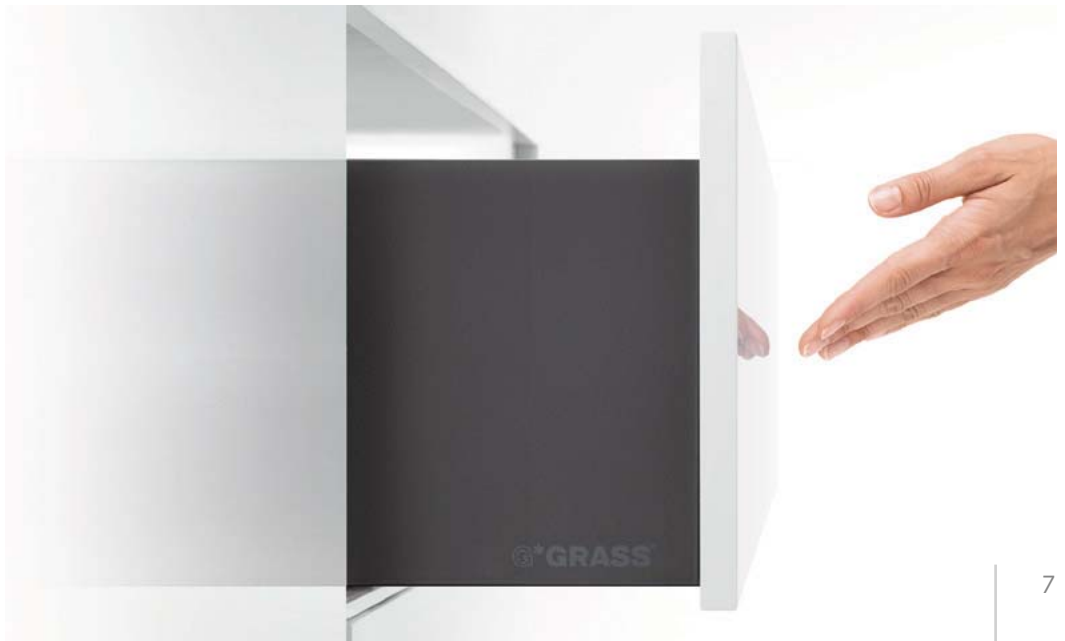
With the integrated Soft-close damping concept from GRASS, each movement becomes an experience. Closing Vionaro drawers with Soft-close is something special. Soft-close gently slows the drawers and pulls them to the fully closed position.

Even very slim-line handles are possible thanks to the minimal force required to open the drawer.

SENSOMATIC OPENING SYSTEM

Electro-mechanical opening of drawers for maximum operating comfort.

Action. Reaction. Interaction. Comfort cannot be more fascinating. Thanks to Sensomatic's automatic touch-sensitive function, a gentle trigger is enough to initiate the movement of regular and pot drawers with handle-free fronts.





Cleverly designed down to the last detail.
For optimum processing convenience.

Our passion for first-class workmanship is evidenced in the detail. The drawer sides can be easily connected to the bottom panel with the unique patented GRASS knock-in spike technology – without the need for additional milled grooves. The back panels can be quickly and simply fitted with the back panel connection integrated into the drawer side. The easy-to-use 3D adjustment feature inside the drawer side as well as the optional depth adjustment ensures optimum front alignment.

**Discover the many special features
that Vionaro has to offer.**



VIONARO DRAWER SYSTEM

Vionaro – the cubist drawer system
with a sleek, minimalist design.



VIONARO DRAWER SYSTEM

11

The ideal form is simple and clear:
Vionaro – the slim-line classic design of tomorrow.



DYNAPRO TIPMATIC SOFT-CLOSE

30

Mechanical opening system
for handle-free fronts.



VIONARO SENSOMATIC

55

Electro-mechanical opening system
for regular and pot drawers.

ASSEMBLY TECHNOLOGY

72

Installation and assembly aids.
Track-proven, tried and tested technology
for professional efficiency.



Vionaro – perceptibly unique.
Brilliant surfaces without any seams or grooves
show that these super-slim drawer sides
are made of a single section.

**The ideal addition.
As compelling on the inside
as on the outside.**

Contemporary design is continued
on the inside. For example with the
perfectly colour-coordinated aluminium
front panel for the inset drawers with
a side wall depth of 89 and 121 mm
or the inset drawer with a height of
185 mm. Visual harmony for even
more storage space.




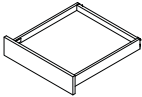
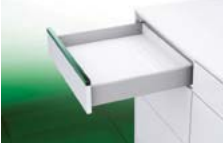
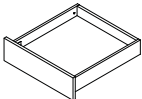

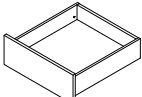

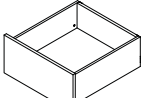

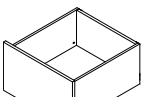


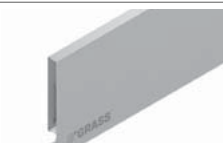
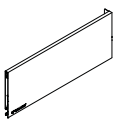
VIONARO DRAWER SYSTEM


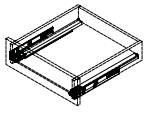

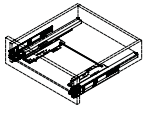
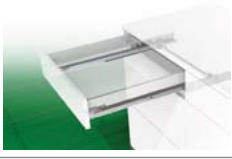
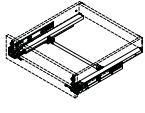

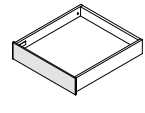

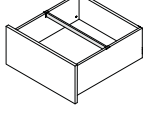

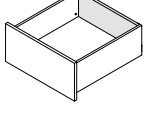
The ideal form is simple and clear:
Vionaro – the slim-line classic design of tomorrow.

Product designation	Page
Drawer H63	14
Drawer H89	16
Drawer H121	18
Pot drawer H185	20
Pot drawer H249	22
Accessories – individual components	24
Drawer sides with GRASS logo	26
Dynapro full extension slide 40/70 kg Soft-close	28
Dynapro full extension slide 40/70 kg Tipmatic Soft-close	30
Dynapro full extension slide 40/60 kg Tipmatic	32
Inset panels	34
Divider railing	42
Steel back panels	44
Technical information	46
Assembly technology	72
Assembly aids	76

VIONARO DRAWER SYSTEM

The ideal form is simple and clear:
Vionaro – the slim-line classic design of tomorrow.

	Product description		Page
	<p>Drawer H63</p> <ul style="list-style-type: none"> • 4-dimensional adjustment (side, height, tilt angle and depth adjustment) • 90° straight interior and exterior sides • Slim 13 mm drawer side width 		14
	<p>Drawer H89</p> <ul style="list-style-type: none"> • 4-dimensional adjustment (side, height, tilt angle and depth adjustment) • 90° straight interior and exterior sides • Slim 13 mm drawer side width 		16
	<p>Drawer H121</p> <ul style="list-style-type: none"> • 4-dimensional adjustment (side, height, tilt angle and depth adjustment) • 90° straight interior and exterior sides • Slim 13 mm drawer side width 		18
	<p>Pot drawer H185</p> <ul style="list-style-type: none"> • 4-dimensional adjustment (side, height, tilt angle and depth adjustment) • 90° straight interior and exterior sides • Slim 13 mm drawer side width 		20
	<p>Pot drawer H249</p> <ul style="list-style-type: none"> • 4-dimensional adjustment (side, height, tilt angle and depth adjustment) • 90° straight interior and exterior sides • Slim 13 mm drawer side width 		22
	<p>Accessories – individual components</p> <ul style="list-style-type: none"> • Components of the accessory sets can only be ordered later or as single components 		24
	<p>Drawer sides with GRASS logo</p> <ul style="list-style-type: none"> • Vionaro drawer sides with GRASS laser branding • Abrasion-resistant, strong, high-quality 		26

	Product description		Page
	Dynapro full extension slide 40/70 kg Soft-close <ul style="list-style-type: none"> • Full extension slide, synchronised • Soft-close damping system • Excellent running characteristics 		28
	Dynapro full extension slide 40/70 kg Tipmatic Soft-close <ul style="list-style-type: none"> • Full extension slide, synchronised • Combines Tipmatic function with Soft-close damping • Excellent running characteristics 		30
	Dynapro full extension slide 40/60 kg Tipmatic <ul style="list-style-type: none"> • Tipmatic full extension slide • Tipmatic element integrated into the slide • Excellent running characteristics 		32
	Inset panels <ul style="list-style-type: none"> • Colour-coordinated aluminium front panel • High-quality design with smooth inside and outside surfaces • Available in the heights H89, H121 and H185 		34
	Divider railing <ul style="list-style-type: none"> • Divider railing for all Vionaro regular and pot drawers • Tipmatic element integrated into the slide • Can be retrofitted at any time • Tool-free adjustment 		42
	Steel back panels <ul style="list-style-type: none"> • Steel back panels for regular and pot drawers • Colour coordinated • In the heights H89 and H185 		44
	Technical information		46
	Assembly technology		72
	Assembly aids		76

VIONARO

Drawer H63



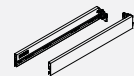
- 4-dimensional adjustment
- Integrated side, height and tilt angle adjustment
- Depth adjustment is optional
- 90° straight interior and exterior sides
- Slim 13 mm drawer side width
- Tool-free front assembly
- Bottom panel machining not required

Packaging unit (PU):

201 = 1 unit in cardboard box
(smallest PU = 5 units)
211 = 20 units in a cardboard box
517 = 50 units in PE in a cardboard box

ORDER INFORMATION

1 Vionaro drawer sides H63 Set: One left, one right



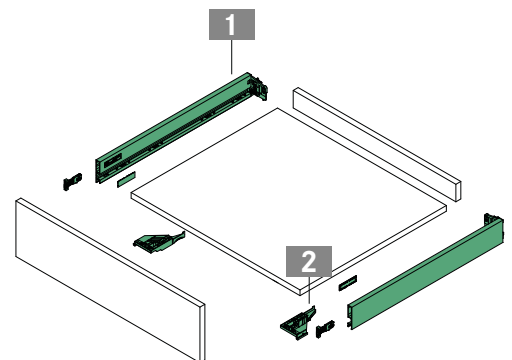
NL	Aluminium											
	Natural anodised			Silver grey			Graphite			Snow white		
	Art.-no.	PU		Art.-no.	PU		Art.-no.	PU		Art.-no.	PU	
400	F135124618	201	211	F135124868	201	211	F135106018	201	211	F135106218	201	211
450	F135124624	201	211	F135124874	201	211	F135106024	201	211	F135106224	201	211
500	F135124630	201	211	F135124880	201	211	F135106030	201	211	F135106230	201	211
550	F135124636	201	211	F135124886	201	211	F135106036	201	211	F135106236	201	211

2 Vionaro accessories for H63 Set: Cover cap (inside), front locking device and front holder, one of each left/right



	Description	Aluminium / Silver grey		Graphite		Snow white	
		Art.-no.	PU	Art.-no.	PU	Art.-no.	PU
		For screw fixing	F136101003	517	F136101004	517	F136101005

Dynapro slides from page 28



PAGE REFERENCES

Accessories - individual components	24	Divider railing	42	Assembly technology	72
Drawer sides with GRASS logo	26	Technical information	46	Assembly aids	76
Slides	28	Sensomatic	55	Packaging code	83

PLANNING DIMENSIONS

All dimensions in millimetres

Front installation dimensions	Back panel installation dimensions	Cutting dimensions for 16 mm chipboard
<p> LWK $RWB = LWK - 42$ min. $RWB = 120$ mm $BB = LWK - 21$ FAS FST </p>	<p> 42 $\varnothing 3.5 \times 15$ 16 33 </p>	<p> $RWB = LWK - 42$ RW 33 RWH B $BL = NL - 11$ $BB = LWK - 21$ </p>
Minimum installation depth	Screw connection, back panel ($KB \geq 275$)	Screw connection, back panel ($KB \geq 600$)
<p> 37 $MET = NL + 4$ </p>	<p> $\varnothing 3 \times 40$ 70 </p>	<p> $\varnothing 3 \times 40$ 70 </p>
Fixing positions for full extension slide		
<p> KV 18 9 23 9 10 12 28 37 $400 - 450$ 500 550 4 352 288 256 224 192 32 0 $MET = NL + 4$ 40 kg </p> <p> KV 28 37 450 $500 - 550$ 4 352 343 288 279 247 224 128 32 0 $MET = NL + 4$ 70 kg </p> <p> Euro screw $\varnothing 6.3 \times 14$ mm Chipboard screw $\varnothing 4 \times 16$ mm Screw head $\varnothing 7$ mm </p>		

LEGEND

B/BB Bottom panel/bottom panel width	KB Cabinet width	NL Nominal length
BL Bottom panel length	KV Front edge of cabinet	RW Back panel
FAS Front overlay, side	LWK Inside cabinet width	RWB Width of back panel
FST Front overlay	MET Minimum installation depth	RWH Height of back panel

VIONARO

Drawer H89



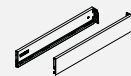
- 4-dimensional adjustment
- Integrated side, height and tilt angle adjustment
- Depth adjustment is optional
- 90° straight interior and exterior sides
- Slim 13 mm drawer side width
- Tool-free front assembly
- Bottom panel machining not required

Packaging unit (PU):

- 201 = 1 unit in cardboard box (smallest PU = 5 units)
- 211 = 20 units in a cardboard box
- 517 = 50 units in PE in a cardboard box

ORDER INFORMATION

1 Vionaro drawer sides H89 Set: One left, one right



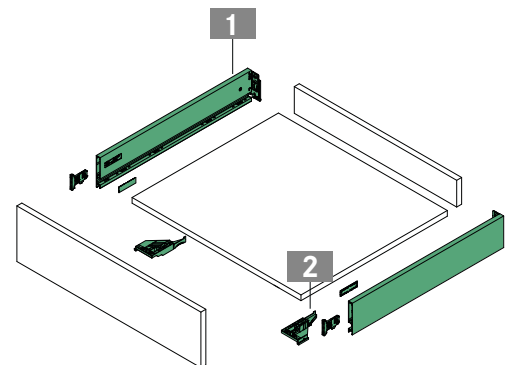
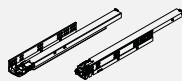
NL	Aluminium				Steel											
	Natural anodised				Silver grey				Graphite				Snow white			
	Art.-no.		PU		Art.-no.		PU		Art.-no.		PU		Art.-no.		PU	
270	F135118357	201	211	F135119057	201	211	F135119303	201	211	F135120603	201	211				
300	F135118360	201	211	F135119060	201	211	F135119306	201	211	F135120606	201	211				
350	F135118366	201	211	F135119066	201	211	F135119312	201	211	F135120612	201	211				
400	F135118372	201	211	F135119072	201	211	F135119318	201	211	F135120618	201	211				
450	F135118378	201	211	F135119078	201	211	F135119324	201	211	F135120624	201	211				
500	F135118384	201	211	F135119084	201	211	F135119333	201	211	F135120633	201	211				
550	F135118390	201	211	F135119090	201	211	F135119342	201	211	F135120642	201	211				
600	F135118396	201	211	F135119096	201	211	F135119351	201	211	F135120651	201	211				
650	F135118399	201	211	F135119099	201	211	F135119400	201	211	F135120654	201	211				

2 Vionaro accessories for H89/H121 Set: Cover cap (inside), front locking device and front holder, one of each left/right



	Description	Aluminium / Silver grey		Graphite		Snow white	
		Art.-no.	PU	Art.-no.	PU	Art.-no.	PU
	For screw fixing	F136100121	517	F136100123	517	F136100125	517
	Expansion dowel Ø 8 mm	F136100122	517	F136100124	517	F136100126	517

Dynapro slides from page 28

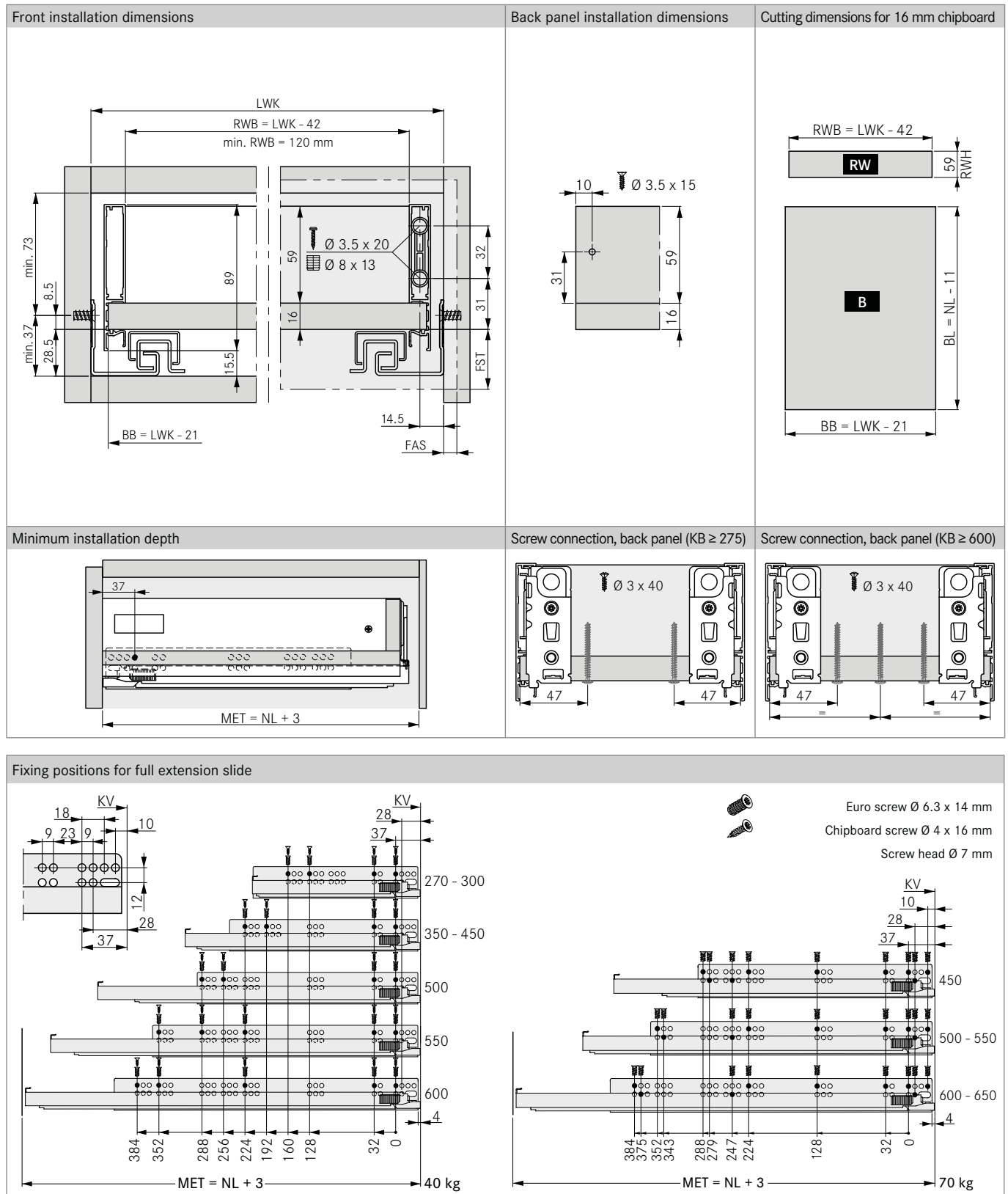


PAGE REFERENCES

Accessories - individual components	24	Inset panels	34	Technical information	46
Drawer sides with GRASS logo	26	Divider railing	42	Sensomatic	55
Slides	28	Steel back panels	44	Assembly technology	72

PLANNING DIMENSIONS

All dimensions in millimetres



LEGEND

B/BB	Bottom panel/bottom panel width	KB	Cabinet width	NL	Nominal length
BL	Bottom panel length	KV	Front edge of cabinet	RW	Back panel
FAS	Front overlay, side	LWK	Inside cabinet width	RWB	Width of back panel
FST	Front overlay	MET	Minimum installation depth	RWH	Height of back panel

VIONARO

Drawer H121



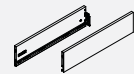
- 4-dimensional adjustment
- Integrated side, height and tilt angle adjustment
- Depth adjustment is optional
- 90° straight interior and exterior sides
- Slim 13 mm drawer side width
- Tool-free front assembly
- Bottom panel machining not required

Packaging unit (PU):

- 201 = 1 unit in cardboard box (smallest PU = 5 units)
- 207 = 10 units in a cardboard box
- 517 = 50 units in PE in a cardboard box

ORDER INFORMATION

1 Vionaro drawer sides H121 Set: One left, one right



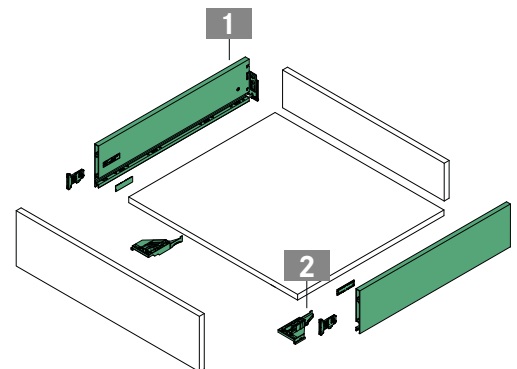
NL	Aluminium				Steel											
	Natural anodised				Silver grey				Graphite				Snow white			
	Art.-no.	PU	Art.-no.	PU	Art.-no.	PU	Art.-no.	PU	Art.-no.	PU	Art.-no.	PU				
350	F135123762	201	207	F135124112	201	207	F135124212	201	207	F135124312	201	207				
400	F135123768	201	207	F135124118	201	207	F135124218	201	207	F135124318	201	207				
450	F135123774	201	207	F135124124	201	207	F135124224	201	207	F135124324	201	207				
500	F135123780	201	207	F135124130	201	207	F135124230	201	207	F135124330	201	207				
550	F135123786	201	207	F135124136	201	207	F135124236	201	207	F135124336	201	207				

2 Vionaro accessories for H89/H121 Set: Cover cap (inside), front locking device and front holder, one of each left/right



Description	Aluminium / Silver grey		Graphite		Snow white	
	Art.-no.	PU	Art.-no.	PU	Art.-no.	PU
For screw fixing	F136100121	517	F136100123	517	F136100125	517
Expansion dowel Ø 8 mm	F136100122	517	F136100124	517	F136100126	517

Dynapro slides from page 28

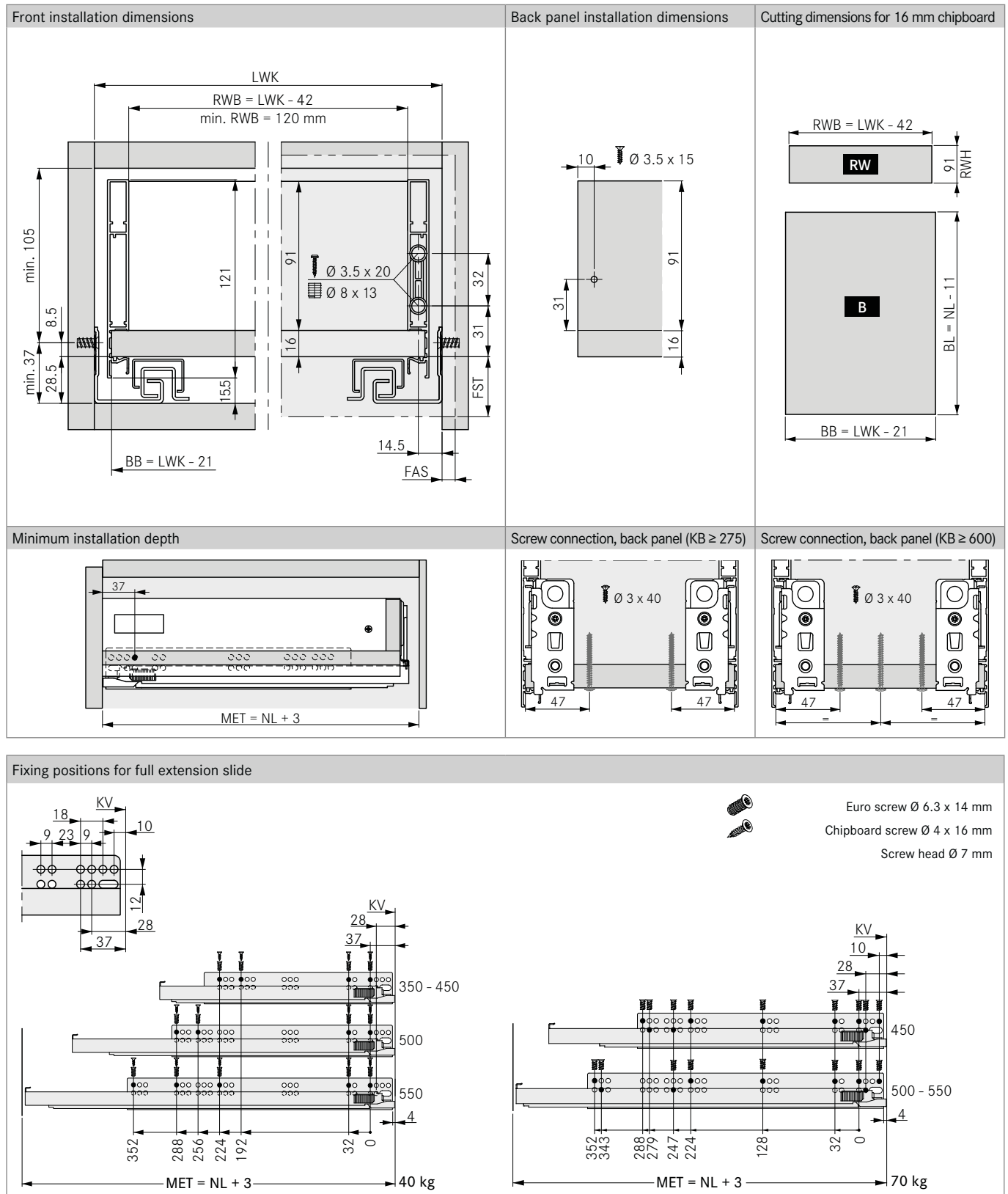


PAGE REFERENCES

Accessories - individual components	24	Inset panels	38	Sensomatic	55
Drawer sides with GRASS logo	26	Divider railing	42	Assembly technology	72
Slides	28	Technical information	46	Assembly aids	76

PLANNING DIMENSIONS

All dimensions in millimetres



LEGEND

B/BB	Bottom panel/bottom panel width	KB	Cabinet width	NL	Nominal length
BL	Bottom panel length	KV	Front edge of cabinet	RW	Back panel
FAS	Front overlay, side	LWK	Inside cabinet width	RWB	Width of back panel
FST	Front overlay	MET	Minimum installation depth	RWH	Height of back panel

VIONARO

Pot drawer H185



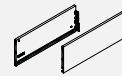
- 4-dimensional adjustment
- Integrated side, height and tilt angle adjustment
- Depth adjustment is optional
- 90° straight interior and exterior sides
- Slim 13 mm drawer side width
- Tool-free front assembly
- Bottom panel machining not required
- Integrated front stabiliser for high fronts

Packaging unit (PU):

- 201 = 1 unit in cardboard box (smallest PU = 5 units)
- 207 = 10 units in a cardboard box
- 517 = 50 units in PE in a cardboard box

ORDER INFORMATION

1 Vionaro drawer sides H185 Set: One left, one right



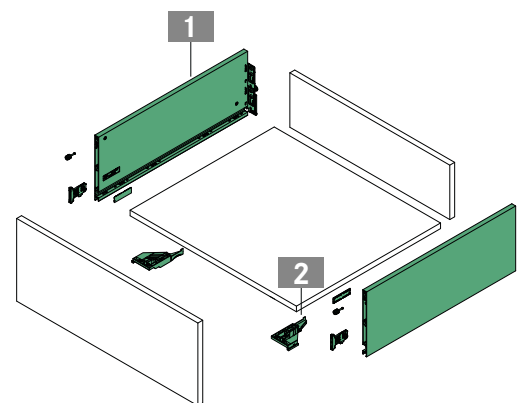
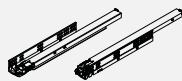
NL	Aluminium				Steel											
	Natural anodised				Silver grey				Graphite				Snow white			
	Art.-no.	201	207		Art.-no.	201	207		Art.-no.	201	207		Art.-no.	201	207	
270	F135118503	201	207		F135119203	201	207		F135119412	201	207		F135120803	201	207	
300	F135118506	201	207		F135119206	201	207		F135119415	201	207		F135120806	201	207	
350	F135118512	201	207		F135119212	201	207		F135119421	201	207		F135120812	201	207	
400	F135118518	201	207		F135119218	201	207		F135119427	201	207		F135120818	201	207	
450	F135118524	201	207		F135119224	201	207		F135119433	201	207		F135120824	201	207	
500	F135118530	201	207		F135119230	201	207		F135119442	201	207		F135120833	201	207	
550	F135118536	201	207		F135119236	201	207		F135119451	201	207		F135120842	201	207	
600	F135118542	201	207		F135119242	201	207		F135119460	201	207		F135120851	201	207	
650	F135118545	201	207		F135119245	201	207		F135119463	201	207		F135120854	201	207	

2 Vionaro accessories for H185/H249 Set: Cover cap (inside), front locking device, front holder and front stabiliser, one of each left/right



	Description	Aluminium / Silver grey		Graphite		Snow white	
		Art.-no.	PU	Art.-no.	PU	Art.-no.	PU
	For screw fixing	F136100310	517	F136100312	517	F136100314	517
	Expansion dowel Ø 8 mm	F136100311	517	F136100313	517	F136100315	517

Dynapro slides from page 28

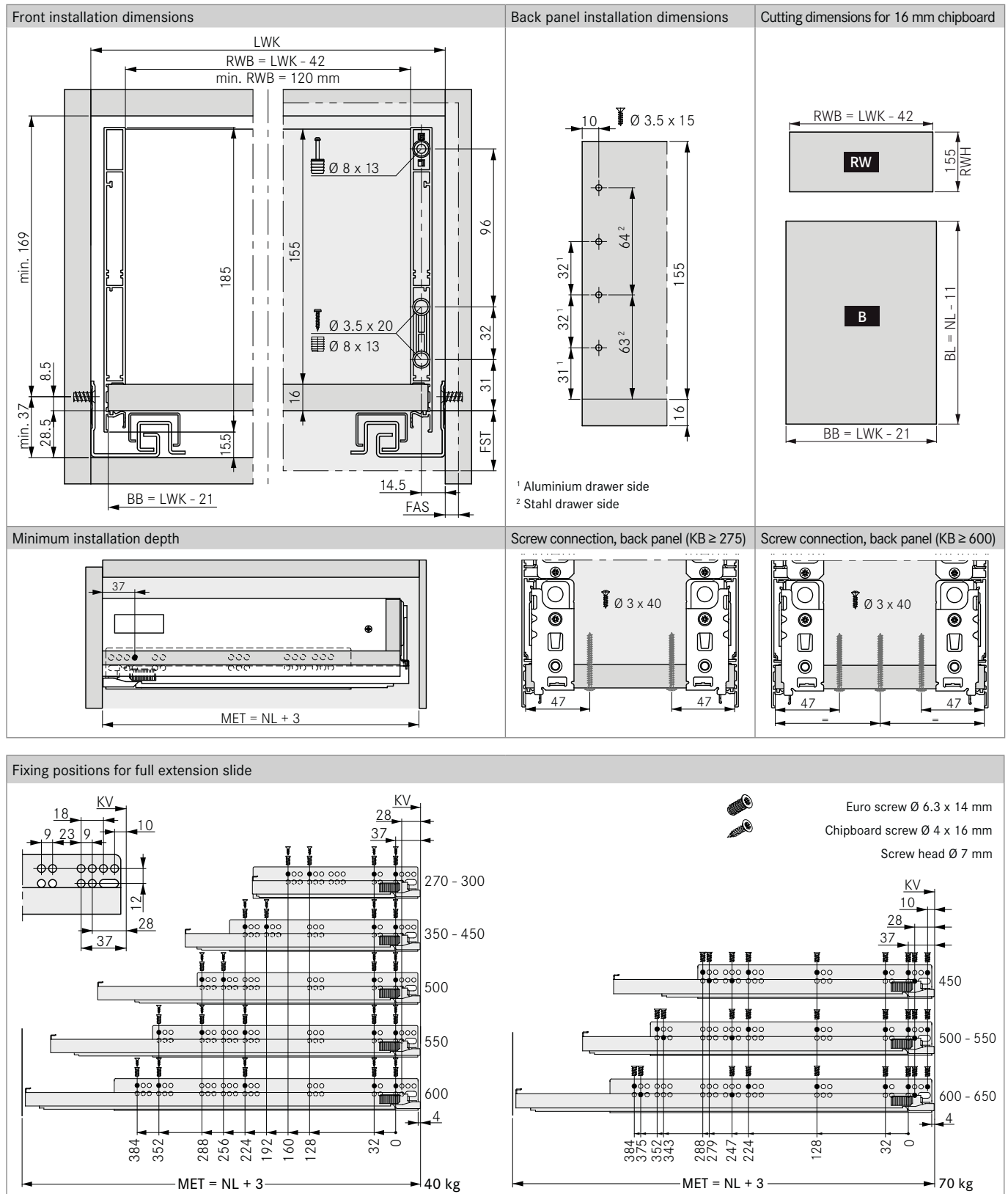


PAGE REFERENCES

Accessories - individual components	24	Inset panels	36	Technical information	46
Drawer sides with GRASS logo	26	Divider railing	42	Sensomatic	55
Slides	28	Steel back panels	44	Assembly technology	72

PLANNING DIMENSIONS

All dimensions in millimetres



LEGEND

B/BB	Bottom panel/bottom panel width	KB	Cabinet width	NL	Nominal length
BL	Bottom panel length	KV	Front edge of cabinet	RW	Back panel
FAS	Front overlay, side	LWK	Inside cabinet width	RWB	Width of back panel
FST	Front overlay	MET	Minimum installation depth	RWH	Height of back panel

VIONARO

Pot drawer H249



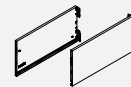
- 4-dimensional adjustment
- Integrated side, height and tilt angle adjustment
- Depth adjustment is optional
- 90° straight interior and exterior sides
- Slim 13 mm drawer side width
- Tool-free front assembly
- Bottom panel machining not required
- Integrated front stabiliser for high fronts

Packaging unit (PU):

201 = 1 unit in cardboard box
(smallest PU = 5 units)
207 = 10 units in a cardboard box
517 = 50 units in PE in a cardboard box

ORDER INFORMATION

1 Vionaro drawer sides H249 Set: One left, one right



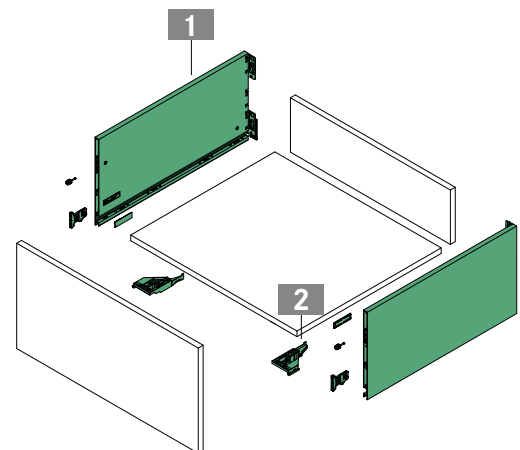
NL	Aluminium											
	Natural anodised			Silver grey			Graphite			Snow white		
	Art.-no.	PU		Art.-no.	PU		Art.-no.	PU		Art.-no.	PU	
450	F135106674	201	207	F135106774	201	207	F135106874	201	207	F135106974	201	207
500	F135106680	201	207	F135106780	201	207	F135106880	201	207	F135106980	201	207
550	F135106686	201	207	F135106786	201	207	F135106886	201	207	F135106986	201	207
600	F135106692	201	207	F135106792	201	207	F135106892	201	207	F135106992	201	207

2 Vionaro accessories for H185/H249 Set: Cover cap (inside), front locking device, front holder and front stabiliser, one of each left/right



	Description	Aluminium / Silver grey		Graphite		Snow white	
		Art.-no.	PU	Art.-no.	PU	Art.-no.	PU
	For screw fixing	F136100310	517	F136100312	517	F136100314	517
	Expansion dowel Ø 8 mm	F136100311	517	F136100313	517	F136100315	517

Dynapro slides from page 28

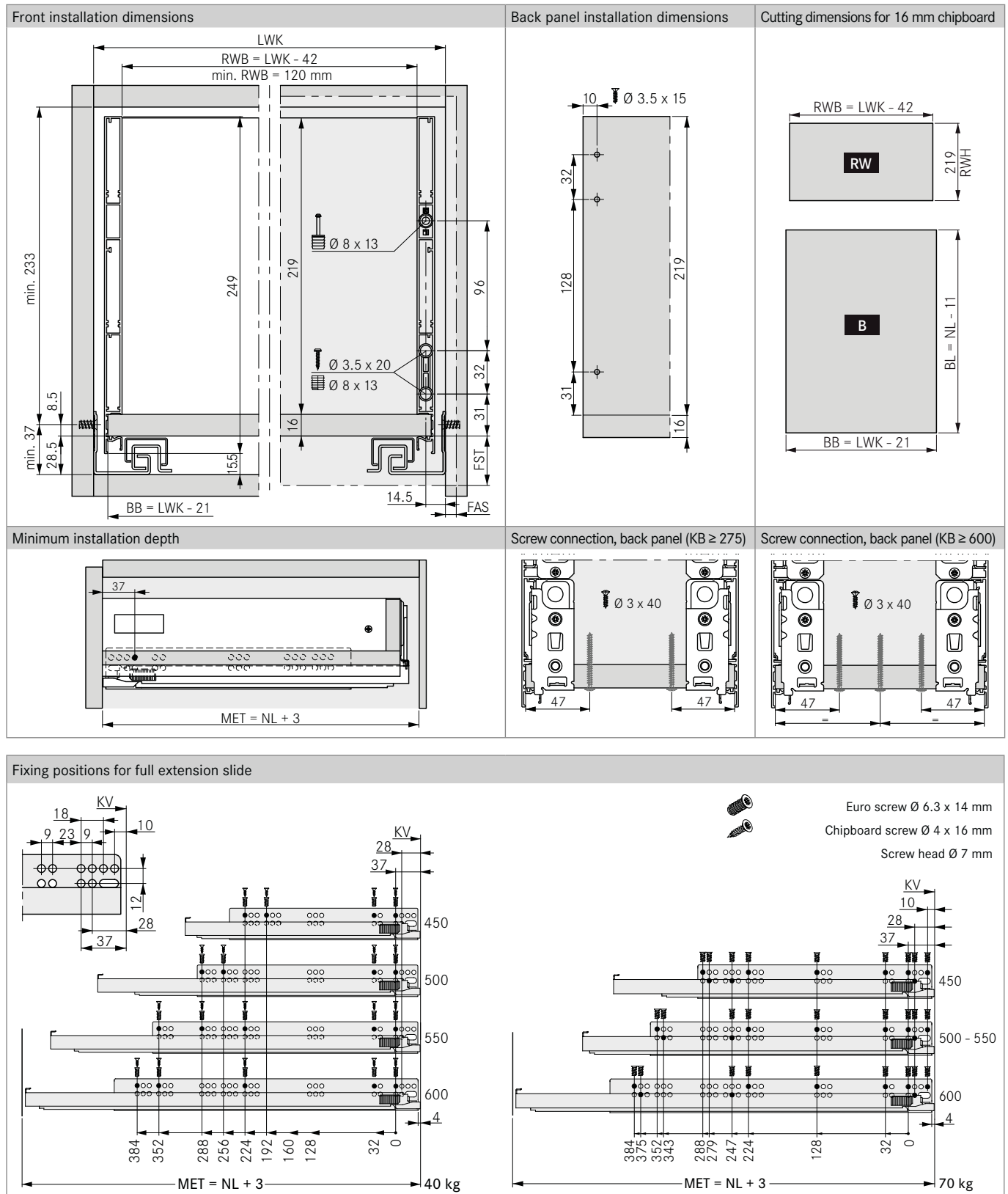


PAGE REFERENCES

Accessories - individual components	24	Divider railing	42	Assembly technology	72
Drawer sides with GRASS logo	26	Technical information	46	Assembly aids	76
Slides	28	Sensomatic	55	Packaging code	83

PLANNING DIMENSIONS

All dimensions in millimetres

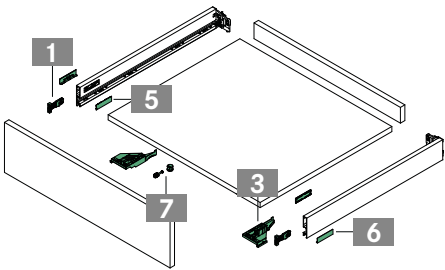
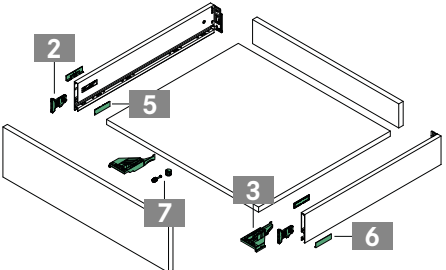


LEGEND

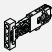

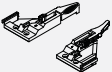

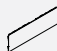

B/BB Bottom panel/bottom panel width	KB Cabinet width	NL Nominal length
BL Bottom panel length	KV Front edge of cabinet	RW Back panel
FAS Front overlay, side	LWK Inside cabinet width	RWB Width of back panel
FST Front overlay	MET Minimum installation depth	RWH Height of back panel

VIONARO

Accessories – individual components

Drawer H63	Drawer H89/H121
	
<p>The following is required:</p> <p>2 x 1</p> <p>1 x 3</p> <p>2 x 5</p> <p>Optional:</p> <p>2 x 6</p> <p>1 x 7</p>	<p>The following is required:</p> <p>2 x 2</p> <p>1 x 3</p> <p>2 x 5</p> <p>Optional:</p> <p>2 x 6</p> <p>1 x 7</p>

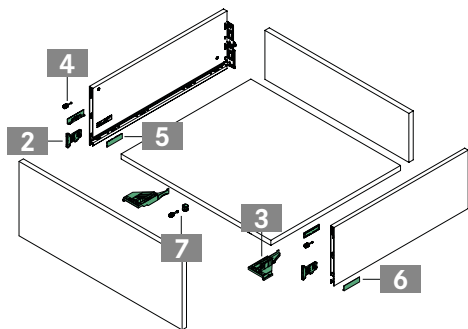
ORDER INFORMATION

1 Front holder H63 Single item: Can be used on left/right					2 Front holder H89/H121/H185/H249 Single item: Can be used on left/right												
										Description	Art.-no.	PU		Description	Art.-no.	PU	
										For screw fixing	F136118050	239		For screw fixing	F136116276	239	
For press fitting	F136118051	239		For press fitting	F136116271	239											
				Expansion dowel Ø 8 mm	F136118019	239											
3 Front locking device Set: One left, one right					4 Front stabiliser H185/H249 Single item: Can be used on left/right												
										Description	Art.-no.	PU		Description	Art.-no.	PU	
											F136107621	233		For screw fixing	F136135000	239	
				For press fitting Ø 8 mm	F136118030	239											
				For press fitting Ø 10 mm	F136118012	239											
5 Cover cap for drawer side Single item: Can be used on left/right																	
									Description	Aluminium / Silver grey		Graphite		Snow white			
										Art.-no.	PU	Art.-no.	PU	Art.-no.	PU		
									With GRASS logo	F136118066	239		F136118068	239		F136118070	239
Without logo	F136118065	239		F136118067	239		F136118069	239									
6 Branding clip (optional) Single item: Can be used on left/right																	
									Description	Aluminium / Silver grey		Graphite		Snow white			
										Art.-no.	PU	Art.-no.	PU	Art.-no.	PU		
									With GRASS logo	F136118058	239		F136118059	239		F136118060	239
(Customer logo on request)																	

PAGE REFERENCES

Drawer sides	11	Steel back panels	44	Assembly technology	72
Slides	28	Technical information	46	Assembly aids	76
Divider railing	42	Sensomatic	55	Packaging code	83

Pot drawer H185/H249



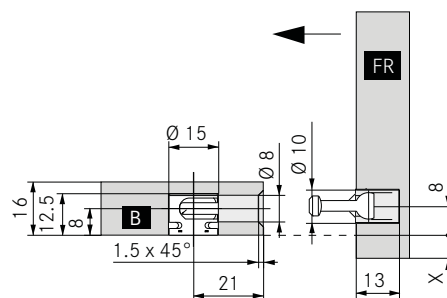
The following is required:

- 2 x 2
- 1 x 3
- 2 x 4
- 2 x 5

Optional:

- 2 x 6
- 1 x 7

Front-bottom connector (optional)



7 Front-bottom connector for wooden fronts (optional)
Single item



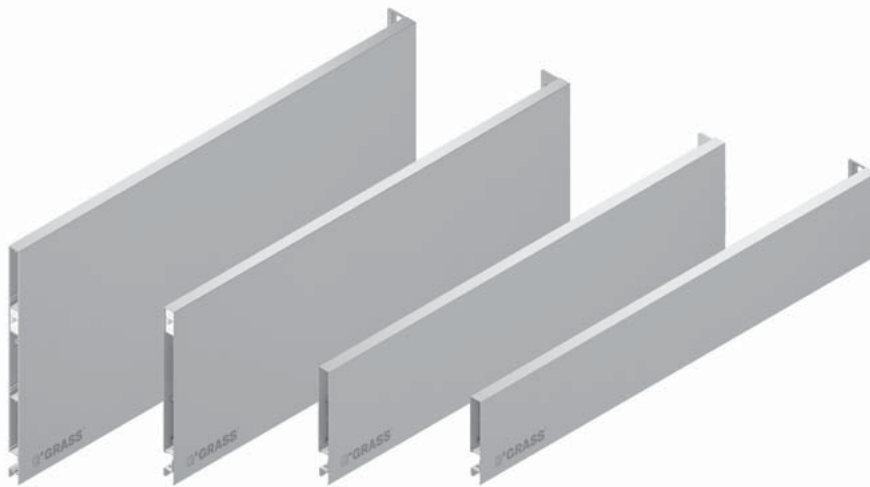
Description	Art.-no.	PU	Description	Art.-no.	PU
Recommended from KB 600 mm	F148026744	107 223			

LEGEND

- B Bottom panel
- FR Front
- KB Cabinet width

VIONARO

Drawer sides with GRASS logo



Packaging unit (PU):

207 = 10 units in a cardboard box
211 = 20 units in a cardboard box

- Vionaro drawer sides with GRASS laser branding
- Abrasion-resistant, strong, high-quality
- 4-dimensional adjustment
- Integrated side, height and tilt angle adjustment
- Depth adjustment is optional
- 90° straight interior and exterior sides
- Slim 13 mm drawer side width
- Tool-free front assembly
- Bottom panel machining not required
- Integrated front stabiliser for high fronts (H185 and H249)

Note: Customer logo on request

ORDER INFORMATION

1 Vionaro drawer sides H89 with GRASS laser branding Set: One left, one right



NL*	Steel									
	Silver grey			Graphite			Snow white			
	Art.-no.	PU		Art.-no.	PU		Art.-no.	PU		
270	F135107357	211		F135107245	211		F135106919	211		
300	F135107360	211		F135107248	211		F135106922	211		
350	F135107363	211		F135106834	211		F135106925	211		
400	F135107366	211		F135106837	211		F135106928	211		
450	F135107369	211		F135106840	211		F135106931	211		
500	F135107372	211		F135106843	211		F135106934	211		
550	F135107375	211		F135106846	211		F135106937	211		
600	F135107378	211		F135106904	211		F135106940	211		
650	F135107381	211		F135106907	211		F135106943	211		

* on request

2 Vionaro drawer sides H121 with GRASS laser branding Set: One left, one right



NL*	Steel									
	Silver grey			Graphite			Snow white			
	Art.-no.	PU		Art.-no.	PU		Art.-no.	PU		
350	-			F135107007	207		F135107034	207		
400	-			F135107010	207		F135107037	207		
450	-			F135107013	207		F135107040	207		
500	-			F135107016	207		F135107043	207		
550	-			F135107019	207		F135107046	207		

* on request

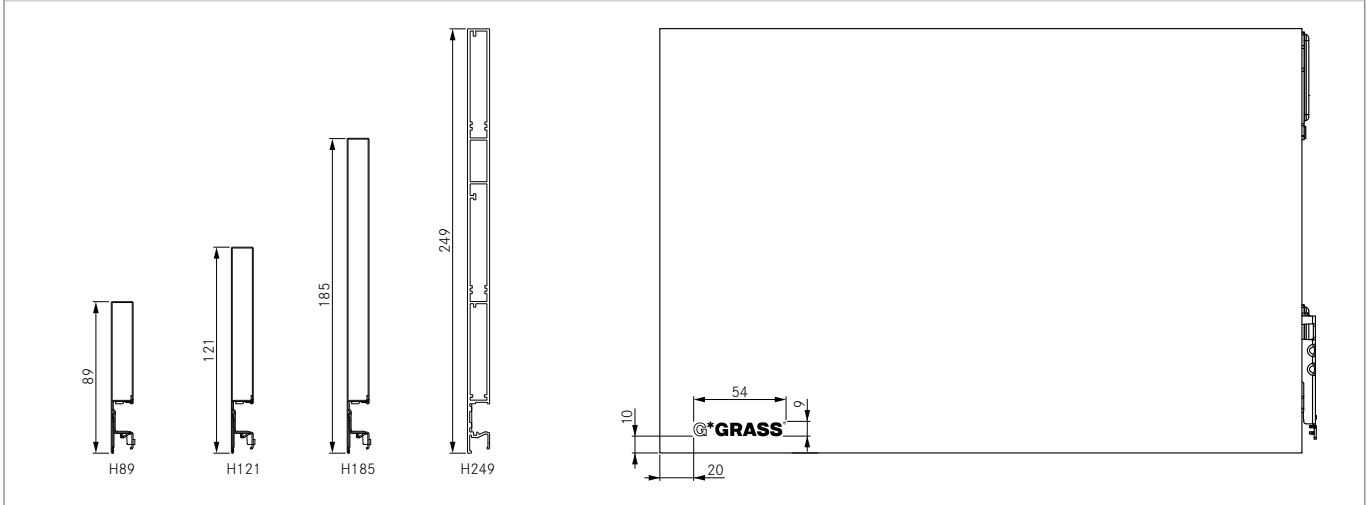
PAGE REFERENCES

Drawer sides	11	Steel back panels	44	Assembly technology	72
Slides	28	Technical information	46	Assembly aids	76
Divider railing	42	Sensomatic	55	Packaging code	83

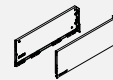
PLANNING DIMENSIONS

All dimensions in millimetres

Drawer side section with logo positioning



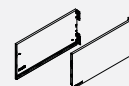
3 Vionaro drawer sides H185 with GRASS laser branding
Set: One left, one right



NL*	Steel									
	Silver grey			Graphite			Snow white			
	Art.-no.	PU		Art.-no.	PU		Art.-no.	PU		
270	F135107384	207		F135107110	207		F135107146	207		
300	F135107387	207		F135107113	207		F135107204	207		
350	F135107390	207		F135107116	207		F135107207	207		
400	F135107393	207		F135107119	207		F135107210	207		
450	F135107396	207		F135107122	207		F135107213	207		
500	F135107399	207		F135107125	207		F135107216	207		
550	F135107402	207		F135107128	207		F135107219	207		
600	F135107405	207		F135107131	207		F135107222	207		
650	F135107408	207		F135107134	207		F135107225	207		

* on request

4 Vionaro drawer sides H249 with GRASS laser branding
Set: One left, one right



NL*	Aluminium									
	Silver grey			Graphite			Snow white			
	Art.-no.	PU		Art.-no.	PU		Art.-no.	PU		
450	F135107510	207		F135107540	207		F135107570	207		
500	F135107516	207		F135107546	207		F135107576	207		
550	F135107519	207		F135107549	207		F135107579	207		
600	F135107522	207		F135107552	207		F135107582	207		

* on request

LEGEND

NL Nominal length

DYNAPRO SOFT-CLOSE

Full extension slide 40/70 kg



- Excellent running characteristics
- Fully synchronised slide technology
- Soft-close damping system
- Utmost lateral stability
- Minimum drawer deflection
- Stepless self-locking of the drawer when placed on the slide

Packaging unit (PU):

- 204 = 5 units in a cardboard box
- 208 = 12 units in a cardboard box
- 210 = 15 units in a cardboard box
- 211 = 20 units in a cardboard box
- 533 = 200 units in PE in a cardboard box

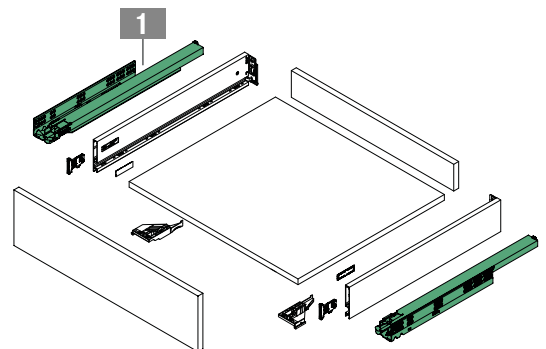
ORDER INFORMATION

1 Dynapro full extension slide Soft-close Set: One left, one right						
NL	40 kg			70 kg		
	Art.-no.	PU		Art.-no.	PU	
270	F130107793	204	211	-		
300	F130107796	204	211	-		
350	F130107802	204	211	-		
400	F130107808	204	211	-		
450	F130107814	204	210	F130107832	204	210
500	F130107820	204	210	F130107838	204	210
550	F130107826	204	210	F130107844	204	210
600	F130107829	204	208	F130107850	204	208
650	-			F130107853	204	208

Optional: Depth adjustment Set: One left, one right					
Art.-no.		PU			
F134101313		533			

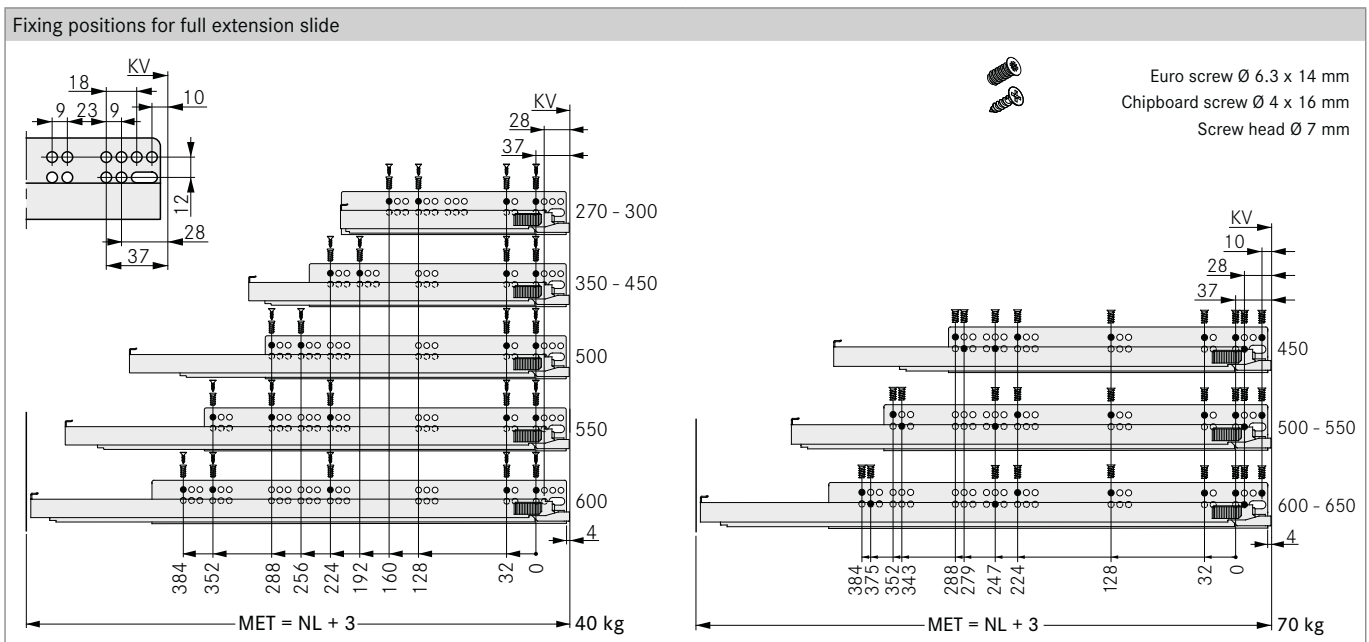
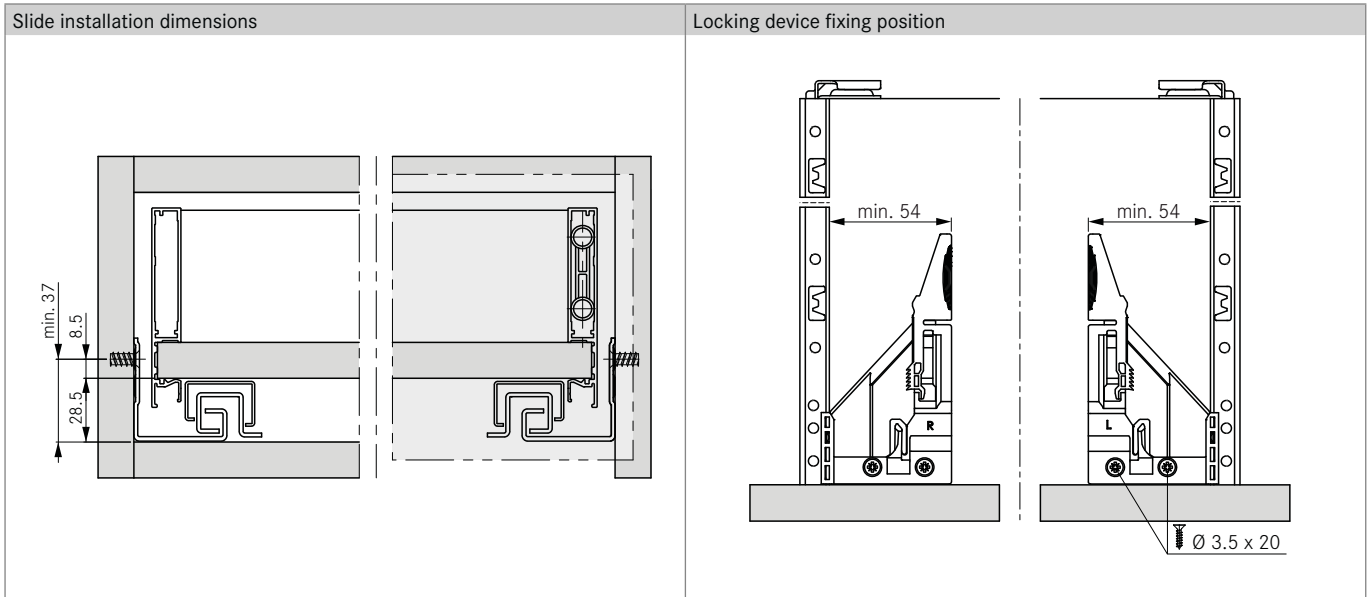
PAGE REFERENCES

Drawer sides	11	Steel back panels	44	Assembly technology	72
Inset panels	34	Technical information	46	Assembly aids	76
Divider railing	42	Sensomatic	55	Packaging code	83



PLANNING DIMENSIONS

All dimensions in millimetres



LEGEND

- KV Front edge of cabinet
- MET Minimum installation depth
- NL Nominal length

DYNAPRO TIPMATIC SOFT-CLOSE

Full extension slide 40/70 kg



- Mechanical opening system for handle-free fronts
- Combines Tipmatic function with Soft-close damping
- Tool-free assembly of the Tipmatic Soft-close unit
- Can be used for Dynapro Soft-close full extension slides
- One unit for all nominal lengths and weight classes
- 3-stage adjustment of the opening force
- Large activation zone due to synchronisation rod

Packaging unit (PU):

- 204 = 5 units in a cardboard box
- 207 = 10 units in a cardboard box
- 208 = 12 units in a cardboard box
- 210 = 15 units in a cardboard box
- 211 = 20 units in a cardboard box
- 213 = 25 units in a cardboard box
- 223 = 100 units in a cardboard box
- 607 = 10 units in a cardboard box in a cardboard box

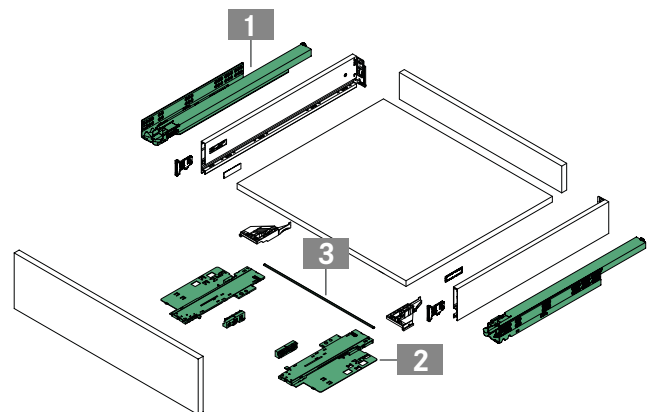
ORDER INFORMATION

1 Dynapro full extension slide Soft-close Set: One left, one right						
NL	40 kg			70 kg		
	Art.-no.	PU		Art.-no.	PU	
270	F130107793	204	211	-		
300	F130107796	204	211	-		
350	F130107802	204	211	-		
400	F130107808	204	211	-		
450	F130107814	204	210	F130107832	204	210
500	F130107820	204	210	F130107838	204	210
550	F130107826	204	210	F130107844	204	210
600	F130107829	204	208	F130107850	204	208
650	-			F130107853	204	208

2 Dynapro Tipmatic Soft-close Set: Unit and activator, one of each left/right						
	Art.-no.	PU				
	F134109323	607				

3 Synchronisation rod Single item: For cutting to length						
L	Art.-no.	PU				
952	F134109410	207				

Individual components		
Description	Art.-no.	PU
Dynapro Tipmatic Soft-close unit Set: One left, one right	F134109324	213
Dynapro Tipmatic Soft-close activator Set: One left, one right	F134109325	223

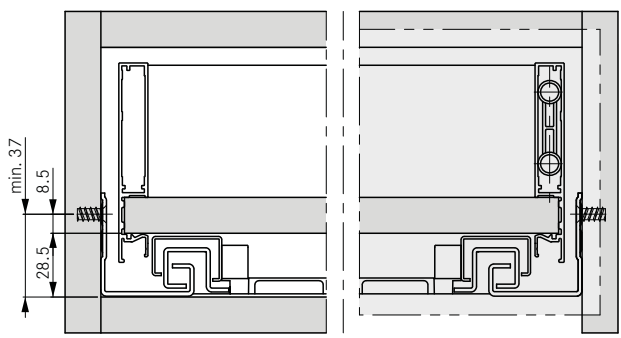
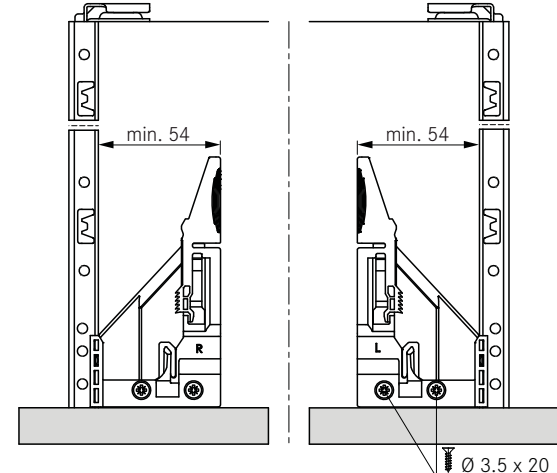
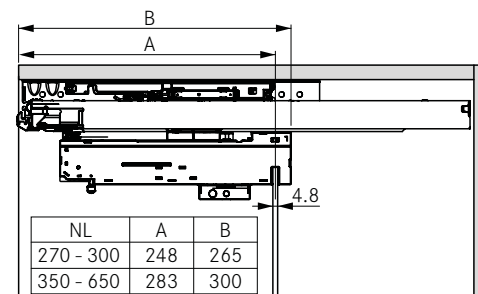
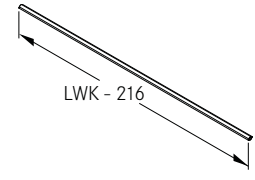


PAGE REFERENCES

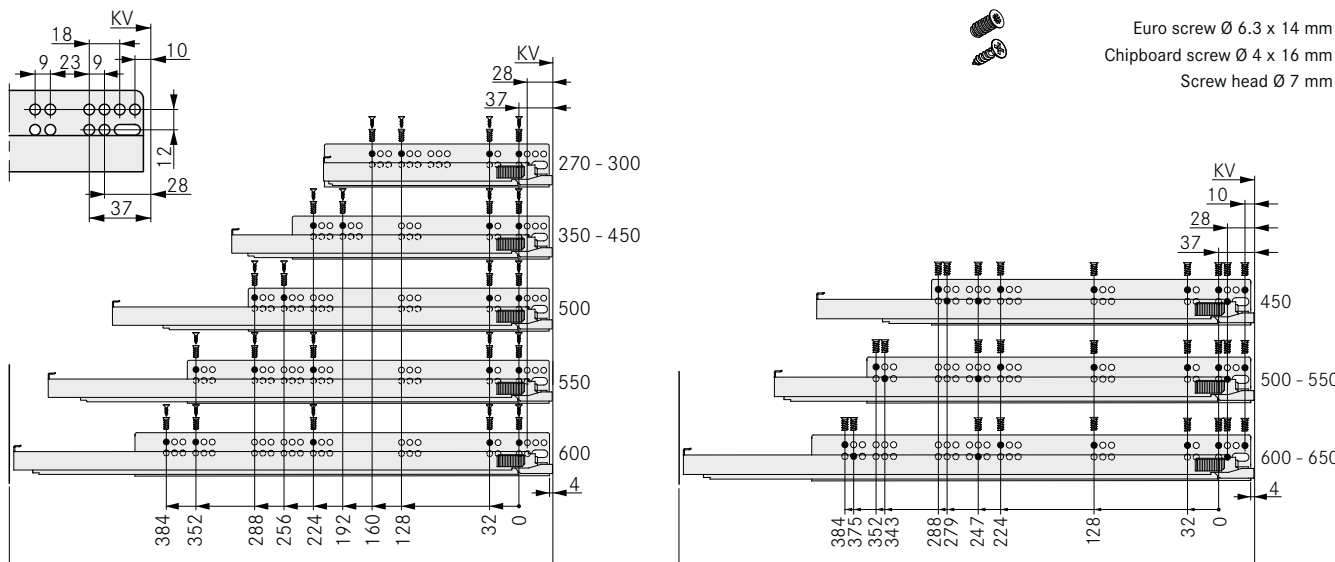
Drawer sides	11	Steel back panels	44	Assembly technology	72
Inset panels	34	Technical information	46	Assembly aids	76
Divider railing	42	Sensomatic	55	Packaging code	83



PLANNING DIMENSIONS

All dimensions in millimetres

<p>Slide installation dimensions</p> 	<p>Locking device fixing position</p> 									
<p>Position of the synchronisation rod</p>  <table border="1" data-bbox="223 1142 478 1232"> <thead> <tr> <th>NL</th> <th>A</th> <th>B</th> </tr> </thead> <tbody> <tr> <td>270 - 300</td> <td>248</td> <td>265</td> </tr> <tr> <td>350 - 650</td> <td>283</td> <td>300</td> </tr> </tbody> </table>	NL	A	B	270 - 300	248	265	350 - 650	283	300	<p>Synchronisation rod cutting dimension</p> 
NL	A	B								
270 - 300	248	265								
350 - 650	283	300								

Fixing positions for full extension slide



 Euro screw Ø 6.3 x 14 mm
 Chipboard screw Ø 4 x 16 mm
 Screw head Ø 7 mm

LEGEND

- KV Front edge of cabinet
- L Length
- MET Minimum installation depth
- NL Nominal length

DYNAPRO TIPMATIC

Full extension slide 40/60 kg



- Full extension slide Tipmatic for handle-free fronts
- Tipmatic ejector unit integrated into the slide
- Excellent running characteristics
- Fully synchronised slide technology
- Utmost lateral stability
- Minimum drawer deflection

Packaging unit (PU):

- 204 = 5 units in a cardboard box
- 207 = 10 units in a cardboard box
- 210 = 15 units in a cardboard box
- 211 = 20 units in a cardboard box
- 212 = 24 units in a cardboard box
- 233 = 200 units in a cardboard box
- 517 = 50 units in PE in a cardboard box

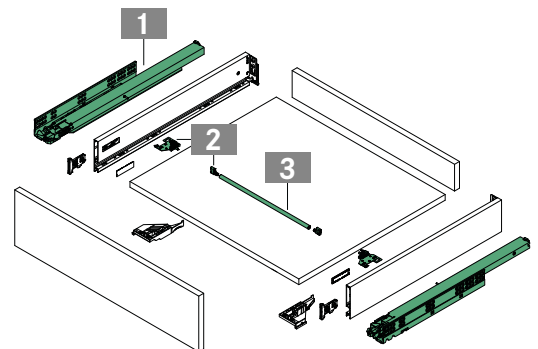
ORDER INFORMATION

1 Dynapro Tipmatic full extension slide Set: One left, one right					
NL	40 kg		60 kg		
	Art.-no.	PU	Art.-no.	PU	
270	F130117459	204 211	-		
300	F130117460	204 211	-		
350	F130117462	204 211	-		
400	F130117463	204 211	-		
450	F130117465	204 210	F130117470	204	210
500	F130117467	204 210	F130117471	204	210
550	F130117468	204 210	F130117472	204	210
600	-		F130116941	204	
650	-		F130117474	204	

2 Synchronisation unit Set: Synchronisation module and synchronisation lever, one of each left/right					
	40 kg		60 kg		
	Art.-no.	PU	Art.-no.	PU	
	F134117475	517	F134117476	517	

3 Synchronisation rod Single item: For cutting to length					
L	Art.-no.	PU			
981	F134116947	207 211			

Individual components		
Description	Art.-no.	PU
Synchronisation module, 40 kg Set: One left, one right	F134117114	212
Synchronisation module, 60 kg Set: One left, one right	F134117115	212
Synchronisation lever Single: Can be used on left/right	F134125079	233



PAGE REFERENCES



Drawer sides	11	Steel back panels	44	Assembly technology	72
Inset panels	34	Technical information	46	Assembly aids	76
Divider railing	42	Sensomatic	55	Packaging code	83

PLANNING DIMENSIONS

All dimensions in millimetres

<p>Slide installation dimensions</p>	<p>Locking device fixing position</p>						
<p>Position of the synchronisation rod</p> <table border="1" data-bbox="223 1131 414 1220"> <thead> <tr> <th>NL</th> <th>A</th> </tr> </thead> <tbody> <tr> <td>270 - 300</td> <td>205</td> </tr> <tr> <td>350 - 650</td> <td>241</td> </tr> </tbody> </table>	NL	A	270 - 300	205	350 - 650	241	<p>Synchronisation rod cutting dimension</p>
NL	A						
270 - 300	205						
350 - 650	241						

Fixing positions for full extension slide

 Euro screw $\text{Ø } 6.3 \times 14 \text{ mm}$
 Chipboard screw $\text{Ø } 4 \times 16 \text{ mm}$
 Screw head $\text{Ø } 7 \text{ mm}$

40 kg MET = NL + 3
60 kg MET = NL + 3

LEGEND

KV Front edge of cabinet
 L Length
 LWK Inside cabinet width
 MET Minimum installation depth

NL Nominal length

VIONARO

Inset panel for inset drawer H89



- Colour-coordinated aluminium front panel
- High-quality design with smooth inside and outside surfaces
- Also for cutting to length (from page 38)

Packaging unit (PU):

- 207 = 10 units in a cardboard box
- 211 = 20 units in a cardboard box

Notes:

- Front-bottom connector recommended from KB 600 mm (see page 41)

ORDER INFORMATION

1 Inset panel for inset drawer H89, S16 and S18

Set: Inset panel with pre-assembled cover caps and pre-drilled fixing holes

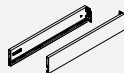


S16*	Aluminium		Silver grey		Graphite		Snow white	
KB	Art.-no.	PU	Art.-no.	PU	Art.-no.	PU	Art.-no.	PU
300	F136120352	211	F136122602	211	F136120502	211	F136120552	211
350	F136120353	211	F136122603	211	F136120503	211	F136120553	211
400	F136120354	211	F136122605	211	F136120505	211	F136120555	211
450	F136120355	211	F136122607	211	F136120507	211	F136120557	211
500	F136120356	211	F136122609	211	F136120509	211	F136120559	211
550	F136120357	211	F136122611	211	F136120511	211	F136120561	211
600	F136120358	211	F136122613	211	F136120513	211	F136120563	211
800	F136120360	211	F136122615	211	F136120515	211	F136120565	211
900	F136120361	211	F136122616	211	F136120516	211	F136120566	211
1000	F136120362	207	F136122617	207	F136120517	207	F136120567	207
1200	F136120363	207	F136122618	207	F136120518	207	F136120568	207

S18*	Aluminium		Silver grey		Graphite		Snow white	
KB	Art.-no.	PU	Art.-no.	PU	Art.-no.	PU	Art.-no.	PU
300	F136123452	211	F136123152	211	F136123552	211	F136123652	211
350	F136123453	211	F136123153	211	F136123553	211	F136123653	211
400	F136123455	211	F136123155	211	F136123555	211	F136123655	211
450	F136123457	211	F136123157	211	F136123557	211	F136123657	211
500	F136123459	211	F136123159	211	F136123559	211	F136123659	211
550	F136123461	211	F136123161	211	F136123561	211	F136123661	211
600	F136123463	211	F136123163	211	F136123563	211	F136123663	211
800	F136123465	211	F136123165	211	F136123565	211	F136123665	211
900	F136123466	211	F136123166	211	F136123566	211	F136123666	211
1000	F136123467	207	F136123167	207	F136123567	207	F136123667	207
1200	F136123468	207	F136123168	207	F136123568	207	F136123668	207

* on request

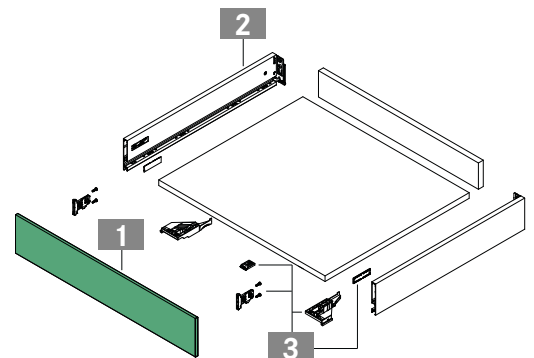
2 Vionaro drawer sides H89 see page 16



3 Individual components see page 40



Dynapro slides from page 28

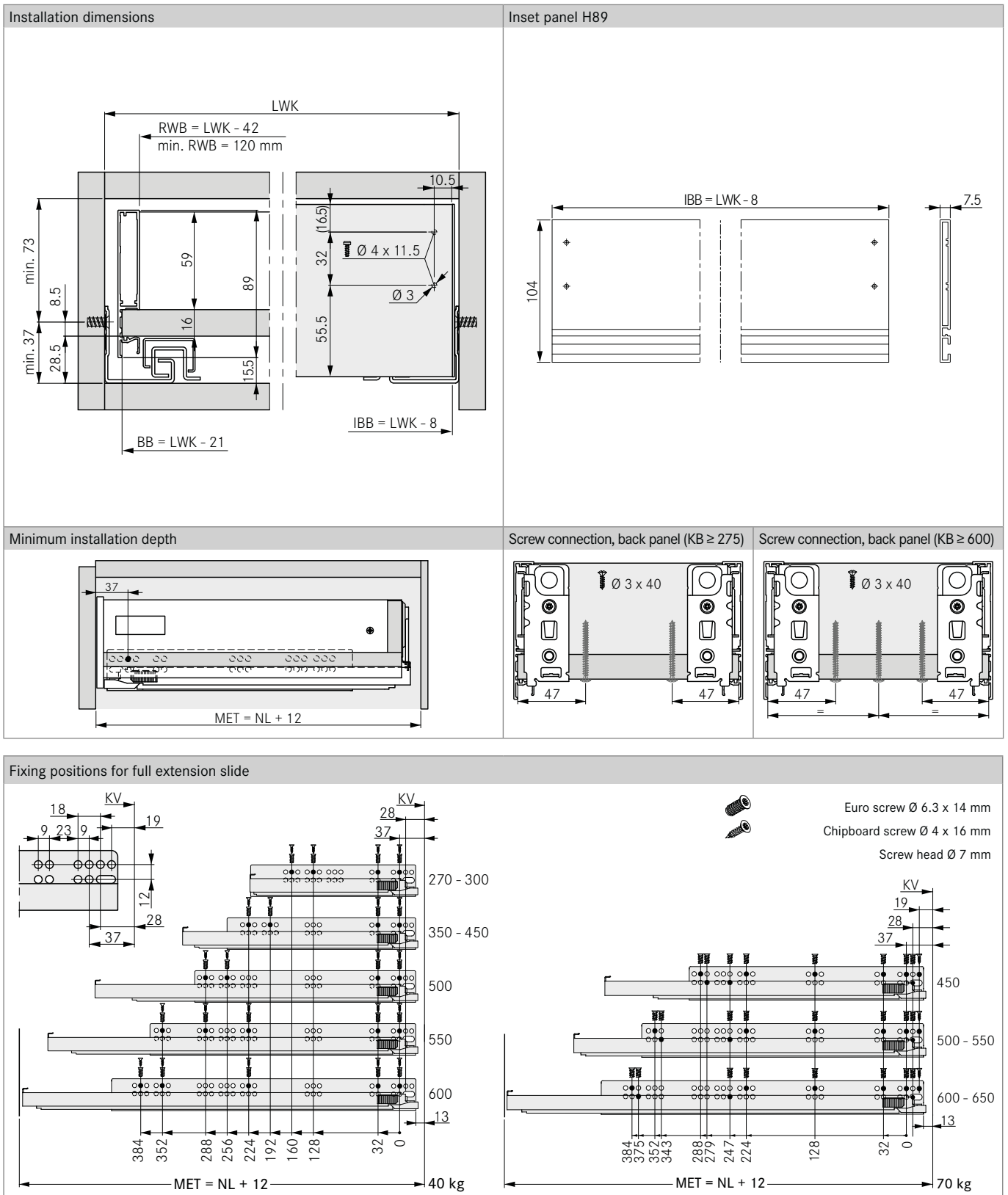


PAGE REFERENCES

Drawer sides	11	Divider railing	42	Sensomatic	55
Slides	28	Steel back panels	44	Assembly technology	72
Individual components	40	Technical information	46	Assembly aids	76

PLANNING DIMENSIONS

All dimensions in millimetres



LEGEND

BB	Bottom panel width	LWK	Inside cabinet width
IBB	Inset front panel width	MET	Minimum installation depth
KB	Cabinet width	NL	Nominal length
KV	Front edge of cabinet	RWB	Width of back panel

VIONARO

Inset panel for inset drawer H185



- Colour-coordinated aluminium front panel
- High-quality design with smooth inside and outside surfaces
- Also for cutting to length (from page 38)

Packaging unit (PU):

207 = 10 units in a cardboard box

Notes:

- Front-bottom connector recommended from KB 600 mm (see page 41)

ORDER INFORMATION

1 Inset panel for inset drawer H185, S16 and S18

Set: Inset panel with pre-assembled cover caps and pre-drilled fixing holes

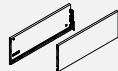


S16*	Aluminium		Silver grey		Graphite		Snow white	
KB	Art.-no.	PU	Art.-no.	PU	Art.-no.	PU	Art.-no.	PU
300	F136120402	207	F136122652	207	F136120521	207	F136120572	207
350	F136120403	207	F136122653	207	F136120522	207	F136120573	207
400	F136120404	207	F136122655	207	F136120524	207	F136120575	207
450	F136120405	207	F136122657	207	F136120526	207	F136120577	207
500	F136120406	207	F136122659	207	F136120528	207	F136120579	207
550	F136120407	207	F136122661	207	F136120530	207	F136120581	207
600	F136120408	207	F136122663	207	F136120532	207	F136120583	207
800	F136120410	207	F136122665	207	F136120534	207	F136120585	207
900	F136120411	207	F136122666	207	F136120535	207	F136120586	207
1000	F136120412	207	F136122667	207	F136120536	207	F136120587	207
1200	F136120413	207	F136122668	207	F136120537	207	F136120588	207

S18*	Aluminium		Silver grey		Graphite		Snow white	
KB	Art.-no.	PU	Art.-no.	PU	Art.-no.	PU	Art.-no.	PU
300	F136123502	207	F136123202	207	F136123602	207	F136123702	207
350	F136123503	207	F136123203	207	F136123603	207	F136123703	207
400	F136123505	207	F136123205	207	F136123605	207	F136123705	207
450	F136123507	207	F136123207	207	F136123607	207	F136123707	207
500	F136123509	207	F136123209	207	F136123609	207	F136123709	207
550	F136123511	207	F136123211	207	F136123611	207	F136123711	207
600	F136123513	207	F136123213	207	F136123613	207	F136123713	207
800	F136123515	207	F136123215	207	F136123615	207	F136123715	207
900	F136123516	207	F136123216	207	F136123616	207	F136123716	207
1000	F136123517	207	F136123217	207	F136123617	207	F136123717	207
1200	F136123518	207	F136123218	207	F136123618	207	F136123718	207

* on request

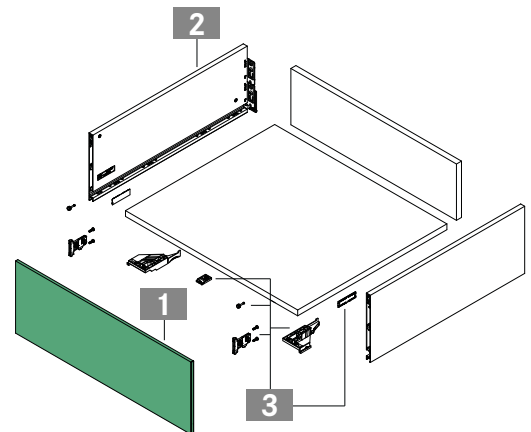
2 Vionaro drawer sides H185 see page 20



3 Individual components see page 40



Dynapro slides from page 28

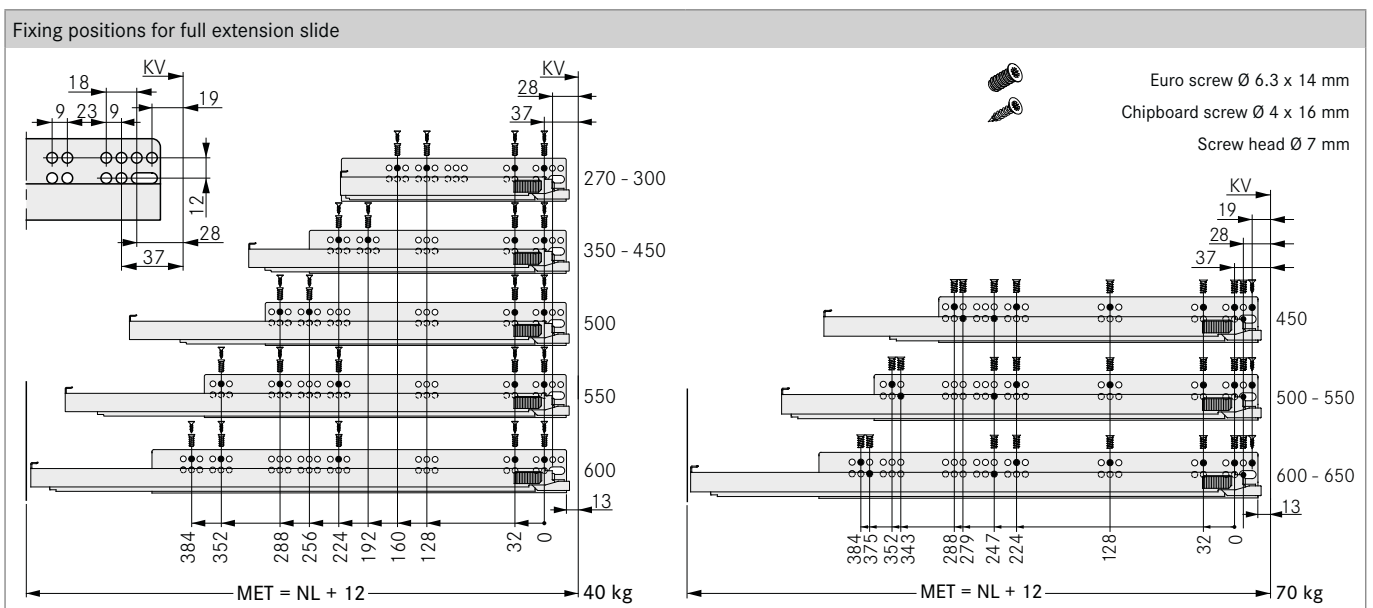
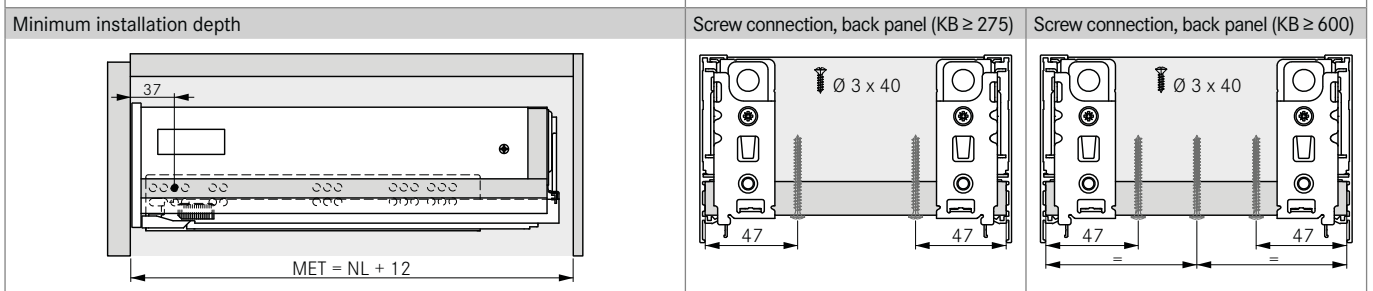
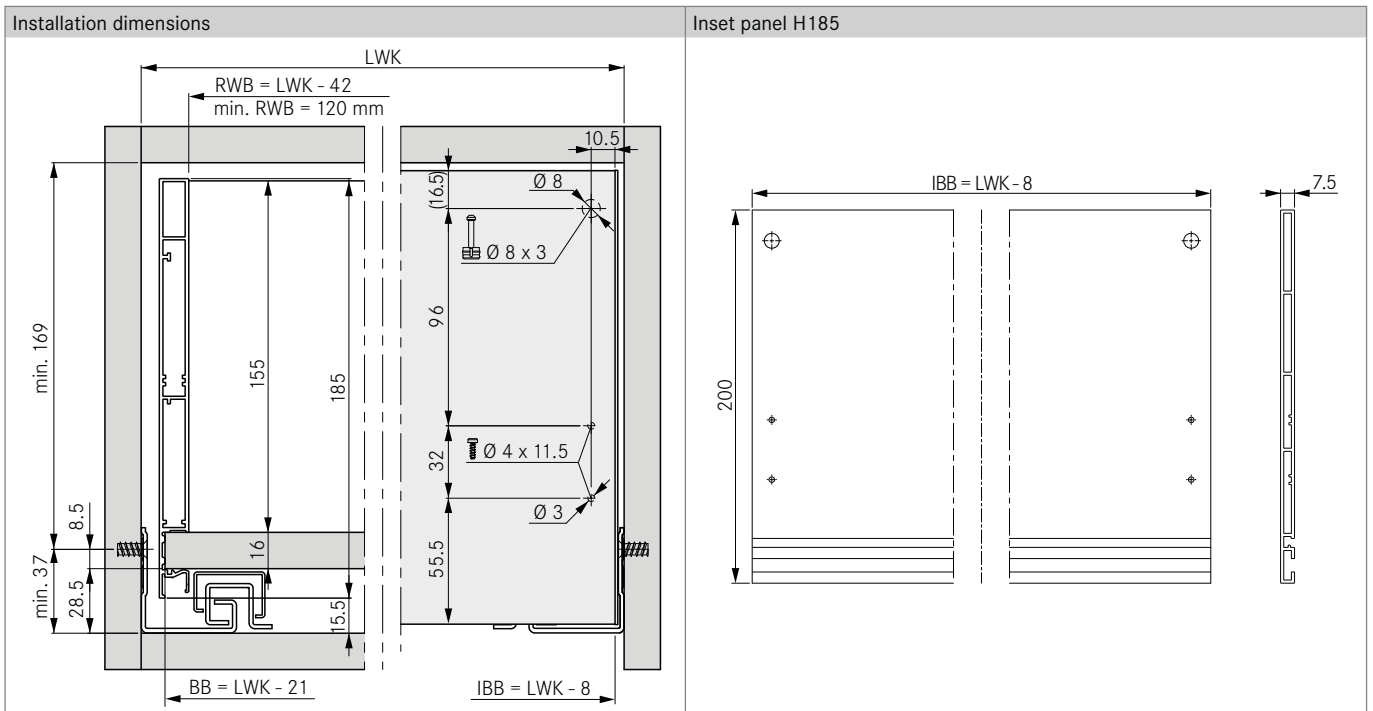


PAGE REFERENCES

Drawer sides	11	Divider railing	42	Sensomatic	55
Slides	28	Steel back panels	44	Assembly technology	72
Individual components	40	Technical information	46	Assembly aids	76

PLANNING DIMENSIONS

All dimensions in millimetres



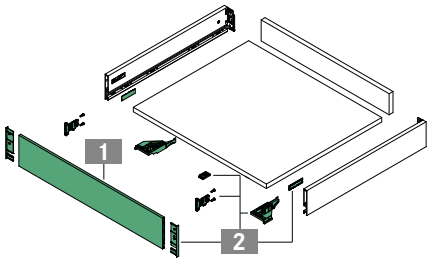
LEGEND

- | | | | |
|------------|-------------------------|------------|----------------------------|
| BB | Bottom panel width | LWK | Inside cabinet width |
| IBB | Inset front panel width | MET | Minimum installation depth |
| KB | Cabinet width | NL | Nominal length |
| KV | Front edge of cabinet | RWB | Width of back panel |

VIONARO

Inset panel for cutting to length – set pack

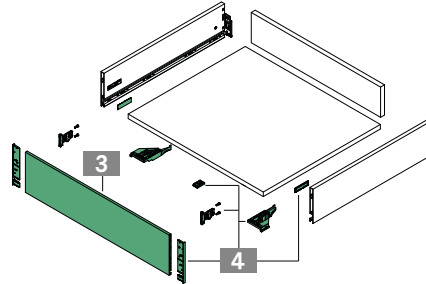
Inset panel for inset drawer H89



The following is required:

1 x **1**
1 x **2**

Inset panel for inset drawer H121



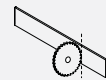
The following is required:

1 x **3**
1 x **4**

ORDER INFORMATION

1 Inset panel for inset drawer H89

Single item: For cutting to length incl. cardboard drilling template



L	Aluminium		Silver grey		Graphite		Snow white	
	Art.-no.	PU	Art.-no.	PU	Art.-no.	PU	Art.-no.	PU
1160	F136120395	507	F136122619	507	F136120538	507	F136120569	507

2 Vionaro accessories for inset drawer H89

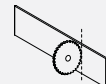
Set: Cover cap for inset panel (2x), cover cap for drawer side (2x), front-bottom connector (1x), front holder (2x), front locking device (2x) and special screws (4x)



Description	Aluminium / Silver grey		Graphite		Snow white	
	Art.-no.	PU	Art.-no.	PU	Art.-no.	PU
For screw fixing	F136100277	517	F136100278	517	F136100279	517

3 Inset panel for inset drawer H121

Single item: For cutting to length incl. cardboard drilling template



L	Aluminium		Silver grey		Graphite		Snow white	
	Art.-no.	PU	Art.-no.	PU	Art.-no.	PU	Art.-no.	PU
1160	F136107483	507	F136107484	507	F136107485	507	F136107486	507

4 Vionaro accessories for inset drawer H121

Set: Cover cap for inset panel (2x), cover cap for drawer side (2x), front-bottom connector (1x), front holder (2x), front locking device (2x) and special screws (4x)

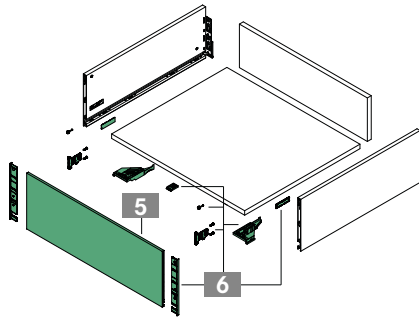


Description	Aluminium / Silver grey		Graphite		Snow white	
	Art.-no.	PU	Art.-no.	PU	Art.-no.	PU
For screw fixing	F136107488	517	F136107489	517	F136107490	517

PAGE REFERENCES

Drawer sides	11	Divider railing	42	Sensomatic	55
Slides	28	Steel back panels	44	Assembly technology	72
Individual components	40	Technical information	46	Assembly aids	76

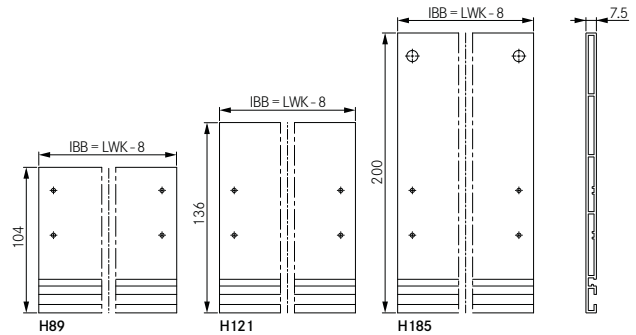
Inset panel for inset drawer H185



The following is required:

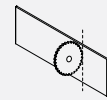
- 1 x **5**
- 1 x **6**

Inset panel section H89 / H121 / H185



5 Inset panel for inset drawer H185

Single item: For cutting to length incl. cardboard drilling template



L	Aluminium		Silver grey		Graphite		Snow white	
	Art.-no.	PU	Art.-no.	PU	Art.-no.	PU	Art.-no.	PU
1160	F136120420	507	F136122669	507	F136120539	507	F136120589	507

6 Vionaro accessories for inset drawer H185

Set: Cover cap for inset panel (2x), cover cap for drawer side (2x), front-bottom connector (1x), front holder (2x), front stabiliser (2x), front locking device (2x) and special screws (4x)



Description	Aluminium / Silver grey		Graphite		Snow white	
	Art.-no.	PU	Art.-no.	PU	Art.-no.	PU
For screw fixing	F136100318	517	F136100319	517	F136100320	517

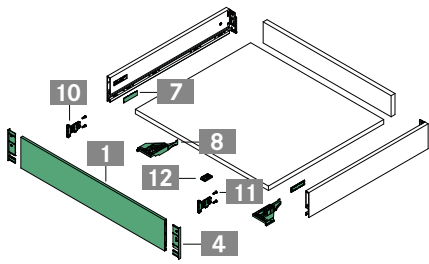
LEGEND

- H Height
- IBB Inset panel width
- L Length
- LWK Inside cabinet width

VIONARO

Inset panel for cutting to length

Inset panel for inset drawer H89



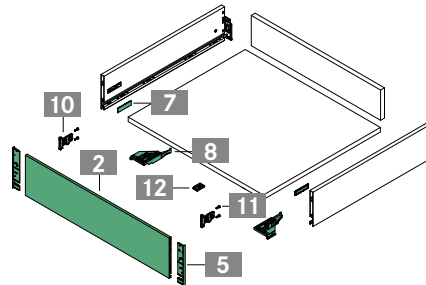
The following is required:

1 x 1
2 x 4
2 x 7
1 x 8
2 x 10
4 x 11

Optional:

1 x 12

Inset panel for inset drawer H121



The following is required:

1 x 2
2 x 5
2 x 7
1 x 8
2 x 10
4 x 11

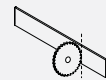
Optional:

1 x 12

ORDER INFORMATION

1 Inset panel for inset drawer H89

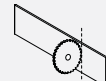
Single item: For cutting to length incl. cardboard drilling template



L	Aluminium		Silver grey		Graphite		Snow white	
	Art.-no.	PU	Art.-no.	PU	Art.-no.	PU	Art.-no.	PU
1160	F136120395	507	F136122619	507	F136120538	507	F136120569	507

2 Inset panel for inset drawer H121

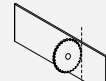
Single item: For cutting to length incl. cardboard drilling template



L	Aluminium		Silver grey		Graphite		Snow white	
	Art.-no.	PU	Art.-no.	PU	Art.-no.	PU	Art.-no.	PU
1160	F136107483	507	F136107484	507	F136107485	507	F136107486	507

3 Inset panel for inset drawer H185

Single item: For cutting to length incl. cardboard drilling template



L	Aluminium		Silver grey		Graphite		Snow white	
	Art.-no.	PU	Art.-no.	PU	Art.-no.	PU	Art.-no.	PU
1160	F136120420	507	F136122669	507	F136120539	507	F136120589	507

4 Cover cap for inset panel H89

Single item: Can be used on left/right



H	Aluminium/Silver grey		Graphite		Snow white	
	Art.-no.	PU	Art.-no.	PU	Art.-no.	PU
H89	F136107652	233	F136107654	233	F136107662	233

5 Cover cap for inset panel H121

Single item: Can be used on left/right

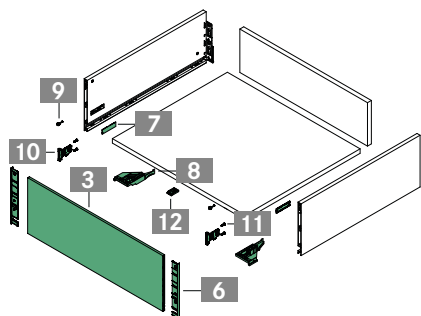


H	Aluminium/Silver grey		Graphite		Snow white	
	Art.-no.	PU	Art.-no.	PU	Art.-no.	PU
H121	F136107492	233	F136107493	233	F136107494	233

PAGE REFERENCES

Drawer sides	11	Divider railing	42	Sensomatic	55
Slides	28	Steel back panels	44	Assembly technology	72
Set pack	38	Technical information	46	Assembly aids	76

Inset panel for inset drawer H 185



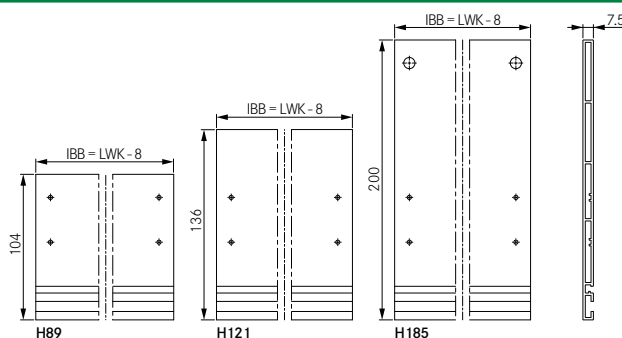
The following is required:

- 1 x **3**
- 2 x **6**
- 2 x **7**
- 1 x **8**
- 2 x **9**
- 2 x **10**
- 4 x **11**

Optional:

- 1 x **12**

Inset panel section H89 / H121 / H185



6 Cover cap for inset panel H185
Single item: Can be used on left/right



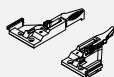
H	Aluminium / Silver grey		Graphite		Snow white	
	Art.-no.	PU	Art.-no.	PU	Art.-no.	PU
H185	F136107653	233	F136107655	233	F136107663	233

7 Cover cap for drawer side
Single item: Can be used on left/right



Description	Aluminium / Silver grey		Graphite		Snow white	
	Art.-no.	PU	Art.-no.	PU	Art.-no.	PU
With GRASS logo	F136118066	239	F136118068	239	F136118070	239
Without logo	F136118065	239	F136118067	239	F136118069	239

8 Front locking device
Set: One left, one right



9 Front stabiliser
Single item: Can be used on left/right



Description	Art.-no.	PU	Description	Art.-no.	PU
	F136107621	233	For press fitting	F136118024	233

10 Front holder
Single item: Can be used on left/right



11 Special screws
Single item



Description	Art.-no.	PU	Description	Art.-no.	PU
For screw fixing	F136116276	239		F136118028	247

12 Front-bottom connector
Single item



Description	Art.-no.	PU	Description	Art.-no.	PU
Recommended from KB 600 mm	F136118025	123			

LEGEND

H	Height	LWK	Inside cabinet width
IBB	Inset panel width		
KB	Cabinet width		
L	Length		

VIONARO

Divider railing




- Divider railing for all Vionaro regular and pot drawers
- Simple assembly by mounting onto the drawer side
- Can be retrofitted at any time
- Tool-free adjustment

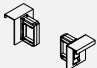
Packaging unit (PU):

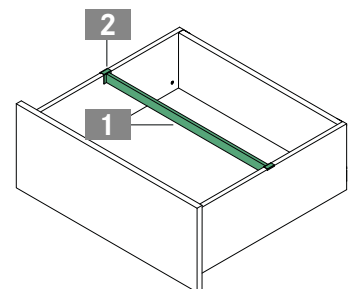
507 = 10 units in PE in a cardboard box

533 = 200 units in PE in a cardboard box

ORDER INFORMATION

1 Divider railing Single item: For cutting to length													
L	Aluminium			Silver grey			Graphite			Snow white			
	Art.-no.	PU		Art.-no.	PU		Art.-no.	PU		Art.-no.	PU		
1124	F136107414	507		F136107415	507		F136107416	507		F136107417	507		

1 Clip for divider railing Single item: Can be used on left/right													
Aluminium/Silver grey			Graphite			Snow white							
Art.-no.	PU		Art.-no.	PU		Art.-no.	PU						
F136107479	533		F136107480	533		F136107481	533						

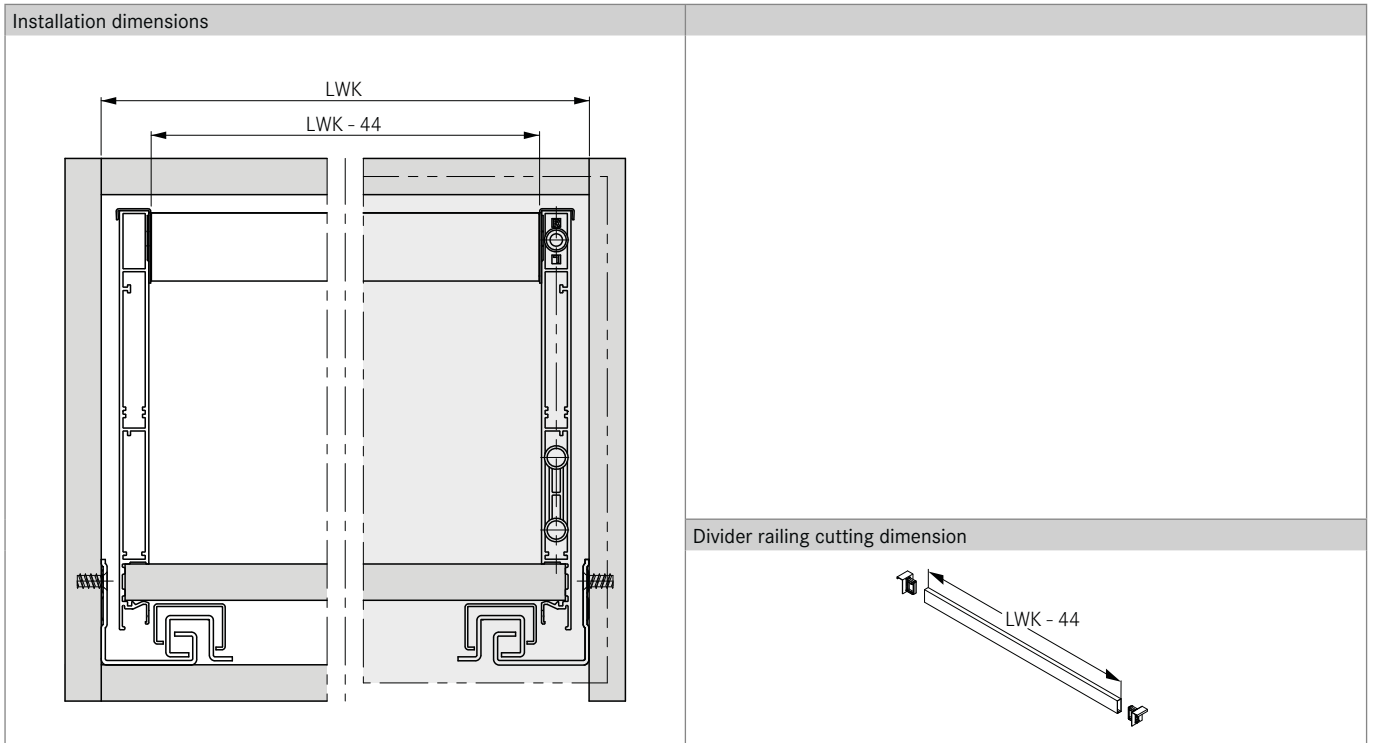


PAGE REFERENCES

Drawer sides	11	Steel back panels	44	Assembly technology	72
Slides	28	Technical information	46	Assembly aids	76
Inset panels	34	Sensomatic	55	Packaging code	83

PLANNING DIMENSIONS

All dimensions in millimetres



LEGEND

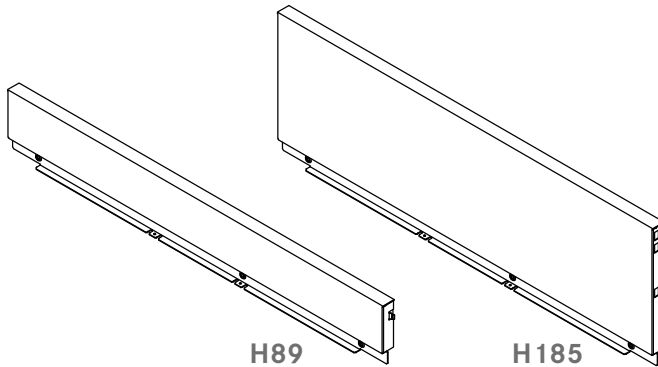
- L Length
- LWK Inside cabinet width

VIONARO

Steel back panels

Packaging unit (PU):

207 = 10 units in a cardboard box
 209 = 14 units in a cardboard box
 211 = 20 units in a cardboard box
 216 = 40 units in a cardboard box



ORDER INFORMATION

1 Steel back panel S16													
H89*	Silver grey			Graphite			Snow white						
KB	Art.-no.	PU		Art.-no.	PU		Art.-no.	PU					
300	F136135261	216		F136135234	216		F136135290	216					
400	F136135262	216		F136135235	216		F136135291	216					
450	F136135263	216		F136135236	216		F136135292	216					
500	F136135264	216		F136135237	216		F136135293	216					
600	F136135265	216		F136135239	216		F136135294	216					
700	F136135266		211	F136135240		211	F136135295		211				
800	F136135267		211	F136135241		211	F136135296		211				
900	F136135268		211	F136135242		211	F136135297		211				
1000	F136135269		211	F136135243		211	F136135298		211				
1200	F136135271		211	F136135244		211	F136135299		211				

H185*	Silver grey			Graphite			Snow white					
KB	Art.-no.	PU		Art.-no.	PU		Art.-no.	PU				
300	F136135352	211		F136135325	211		F136135383	211				
400	F136135353	211		F136135326	211		F136135384	211				
450	F136135354	211		F136135327	211		F136135385	211				
500	F136135355	211		F136135328	211		F136135386	211				
600	F136135356	211		F136135330	211		F136135387	211				
700	F136135357		209	F136135331		209	F136135388		209			
800	F136135358		209	F136135332		209	F136135389		209			
900	F136135359		209	F136135333		209	F136135390		209			
1000	F136135360		207	F136135334		207	F136135391		207			
1200	F136135362		207	F136135335		207	F136135392		207			

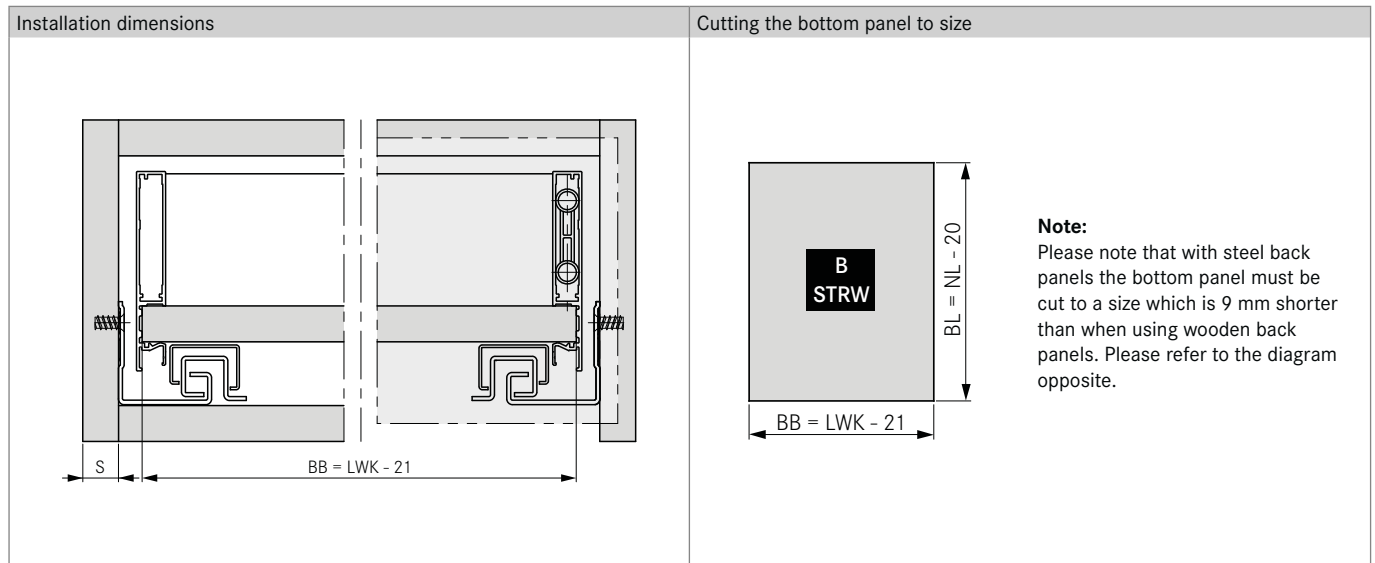
* on request

PAGE REFERENCES

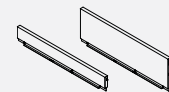
Drawer sides	11	Divider railing	42	Assembly technology	72
Slides	28	Technical information	46	Assembly aids	76
Inset panels	34	Sensomatic	55	Packaging code	83

PLANNING DIMENSIONS

All dimensions in millimetres



2 Steel back panel S18



H89*	Silver grey				Graphite				Snow white				
KB	Art.-no.	PU		Art.-no.	PU		Art.-no.	PU					
450	F136135283	216		F136135246	216		F136135300	216					
600	F136135285	216		F136135247	216		F136135301	216					
800	F136135286		211	F136135248		211	F136135302		211				
900	F136135287		211	F136135249		211	F136135303		211				
1200	F136135289		211	F136135250		211	F136135304		211				

H185*	Silver grey				Graphite				Snow white				
KB	Art.-no.	PU		Art.-no.	PU		Art.-no.	PU					
450	F136135374	211		F136135337	211		F136135393	211					
600	F136135377	211		F136135338	211		F136135394	211					
800	F136135379		209	F136135339		209	F136135395		209				
900	F136135380		209	F136135340		209	F136135396		209				
1200	F136135382		207	F136135341		207	F136135397		207				

* on request

LEGEND

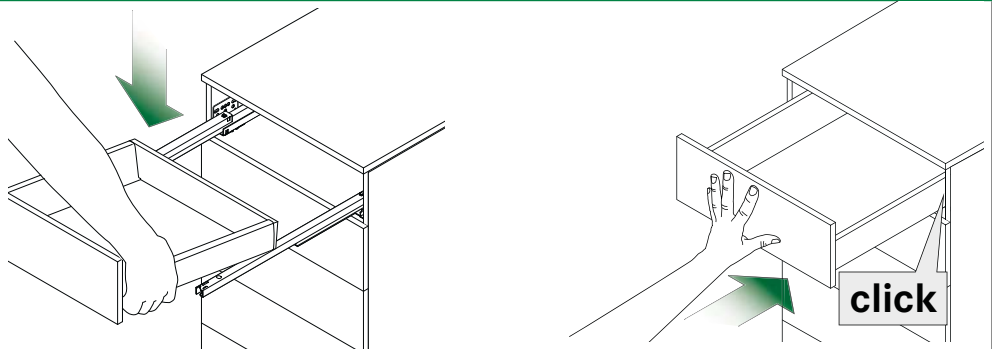
B	Bottom panel	NL	Nominal length
BB	Bottom panel width	S	Cabinet side wall
BL	Bottom panel length	LWK	Inside cabinet width
KB	Cabinet width	STRW	Steel back panel

MOUNTING/DISMOUNTING

Inserting the drawer

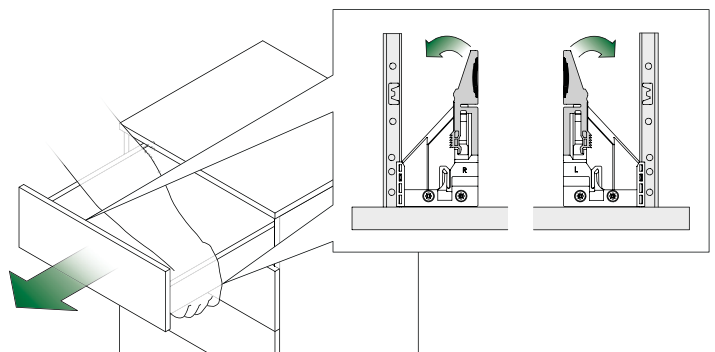
Place the drawer on the extended slides.
Push the drawer fully home.

Drawer engages automatically!



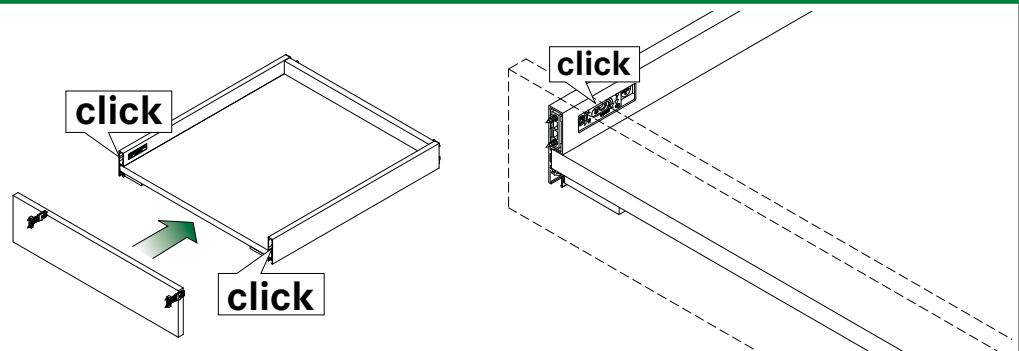
Removing the drawer

Pull out the drawer, actuate the lever of the front locking device on both sides and pull the drawer off the slide towards the front.



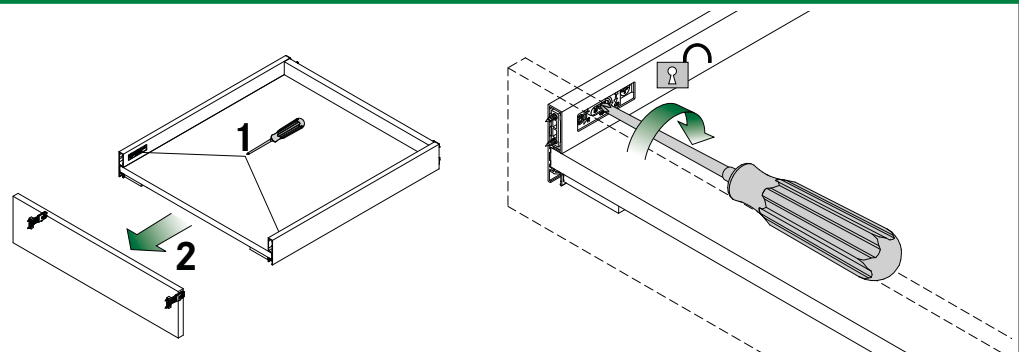
Front panel installation

Insert the front connection into the drawer sides. The front panel engages automatically and is fixed.



Removing the front panel

Use Pozidriv No. 2 screw driver to release.

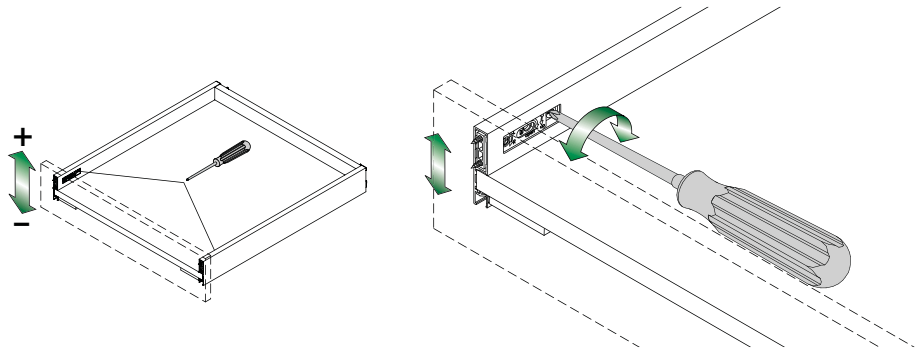


PAGE REFERENCES

Drawer sides	11	Divider railing	42	Assembly technology	72
Slides	28	Steel back panels	44	Assembly aids	76
Inset panels	34	Sensomatic	55	Packaging code	83

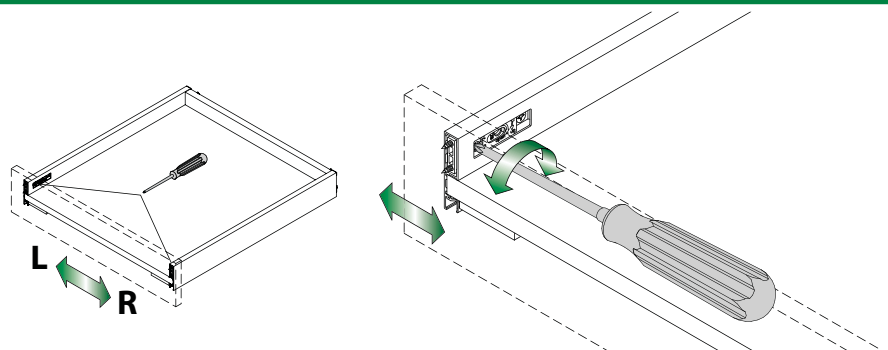
ADJUSTMENTS

Height adjustment with cam (+2/-1 mm)

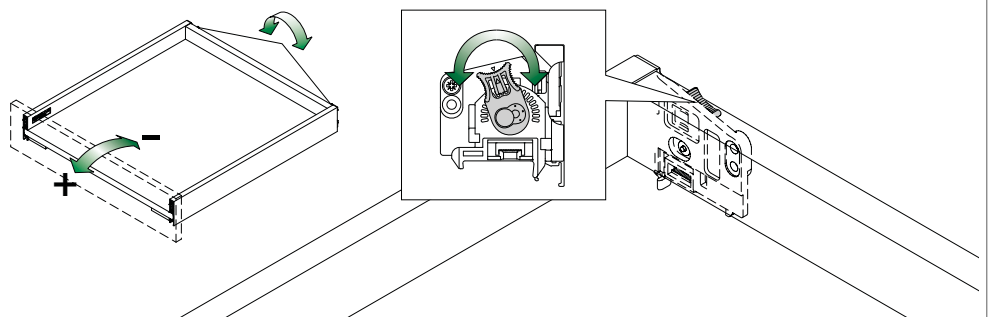


Side adjustment (± 1.5 mm)

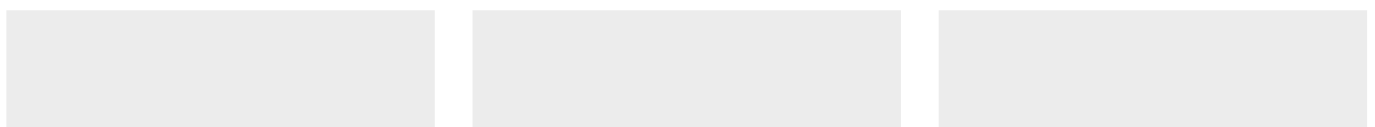
Adjust both sides.



Front tilt angle adjustment (+2/-1 mm)



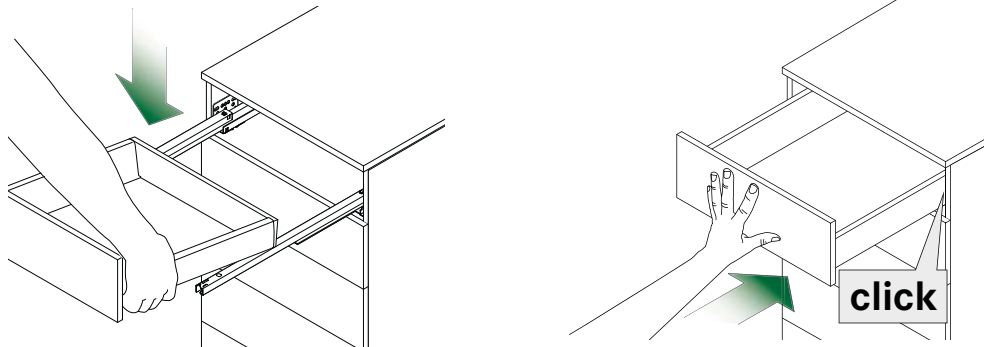
LEGEND



MOUNTING/DISMOUNTING

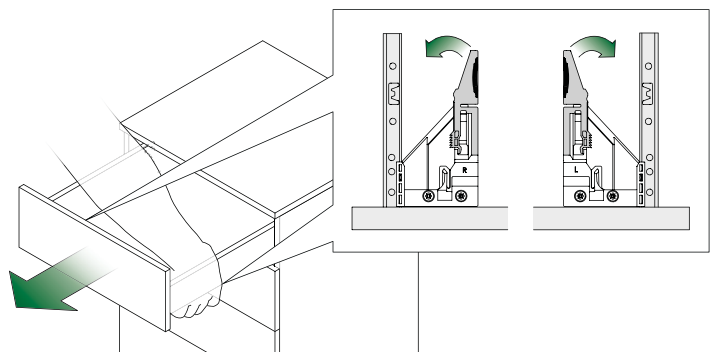
Inserting the drawer

Place the drawer on the extended slides.
Push the drawer fully home.
Drawer engages automatically!



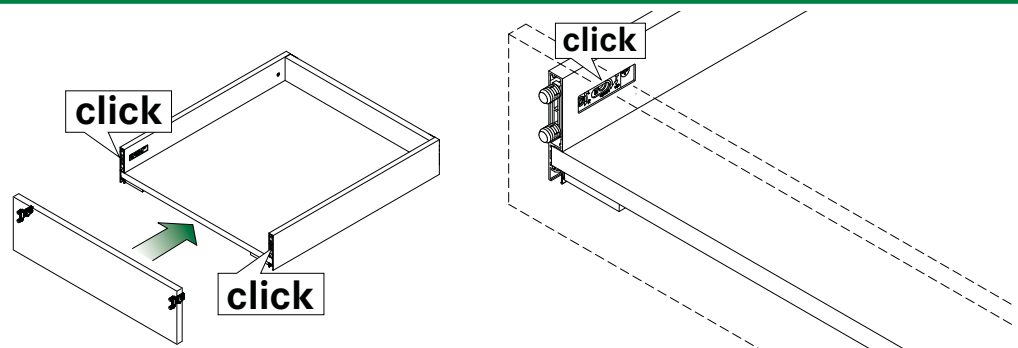
Removing the drawer

Pull out the drawer, actuate the lever of the front locking device on both sides and pull the drawer off the slide towards the front.



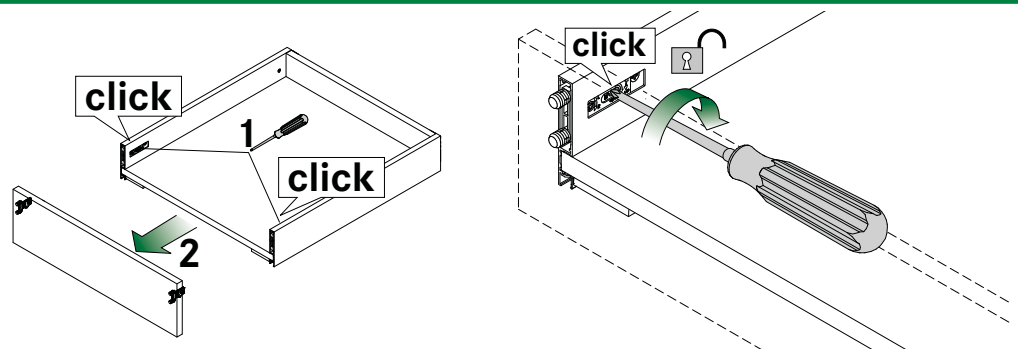
Front panel installation

Insert the front connection into the drawer sides. The front panel engages automatically and is fixed.



Removing the front panel

Use Pozidriv No. 2 screw driver to release.

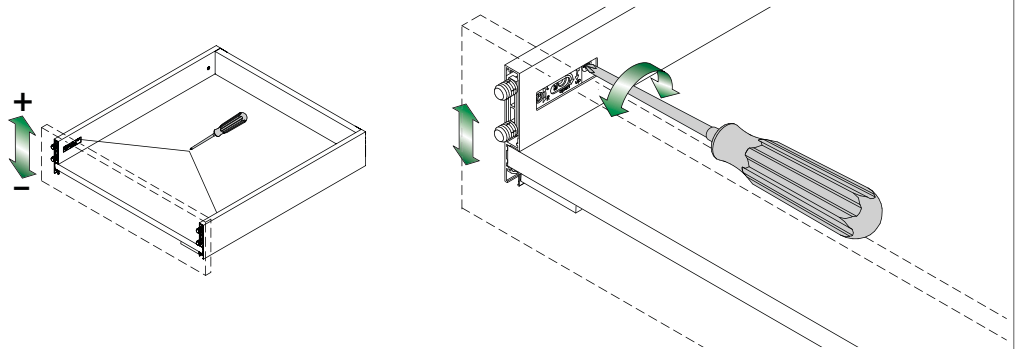


PAGE REFERENCES

Drawer sides	11	Divider railing	42	Assembly technology	72
Slides	28	Steel back panels	44	Assembly aids	76
Inset panels	34	Sensomatic	55	Packaging code	83

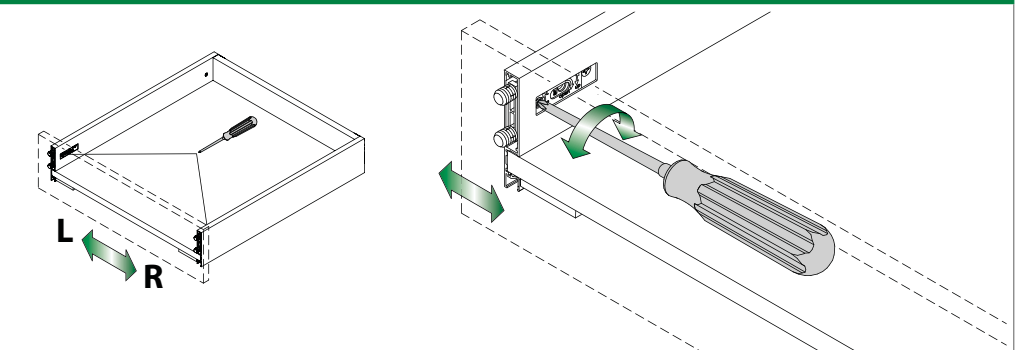
ADJUSTMENTS

Height adjustment with cam (+2.5/-1.5 mm)

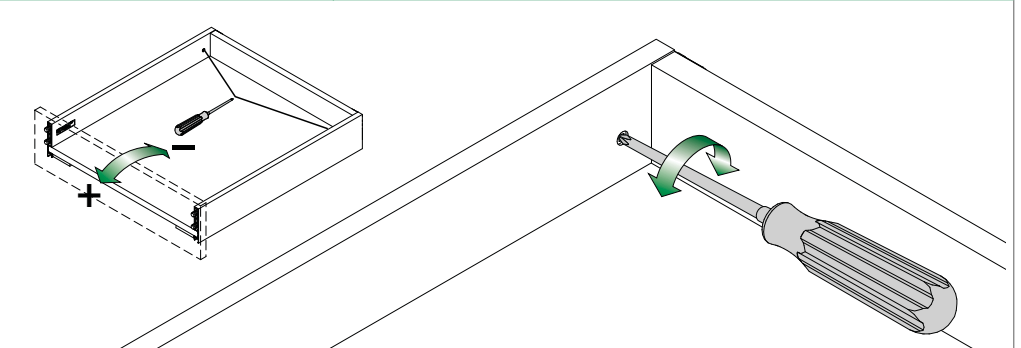


Side adjustment (± 1.5 mm)

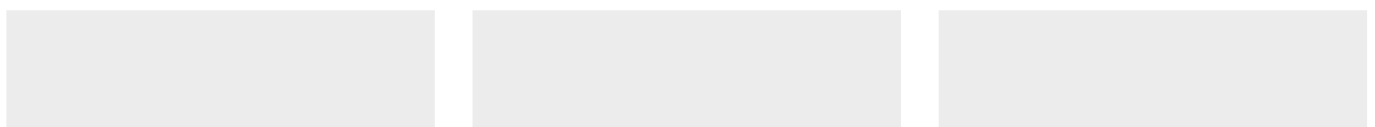
Adjust both sides.



Front tilt angle adjustment (+2.5/-1.5 mm)



LEGEND

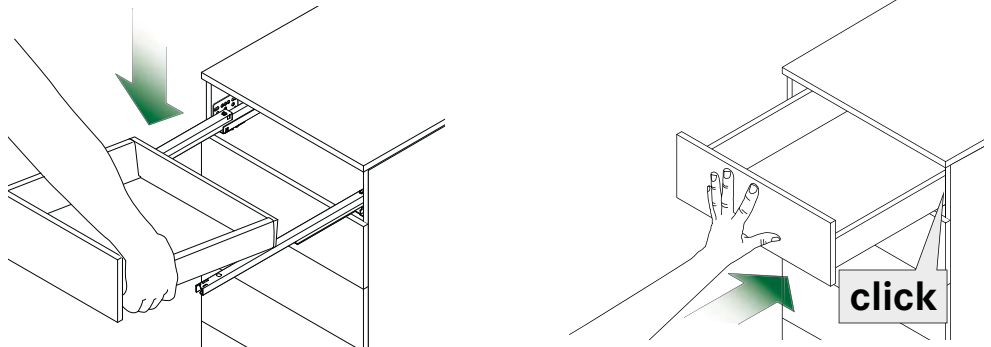


MOUNTING/DISMOUNTING

Inserting the drawer

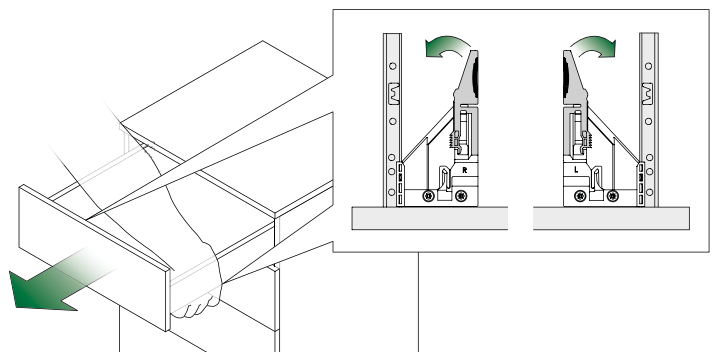
Place the drawer on the extended slides.
Push the drawer fully home.

Drawer engages automatically!



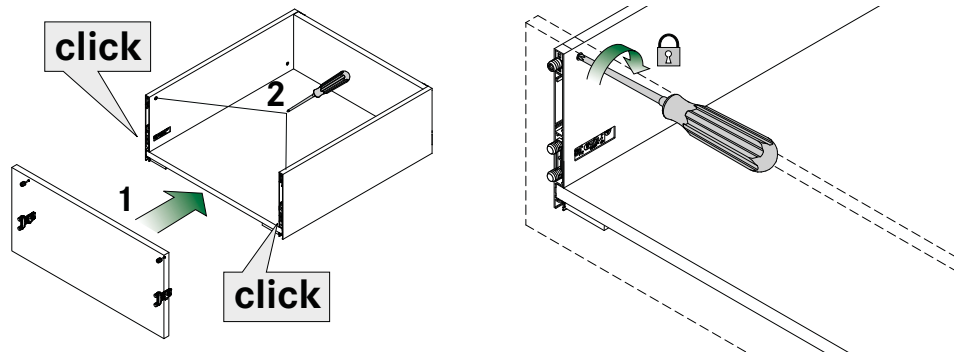
Removing the drawer

Pull out the drawer, actuate the lever of the front locking device on both sides and pull the drawer off the slide towards the front.



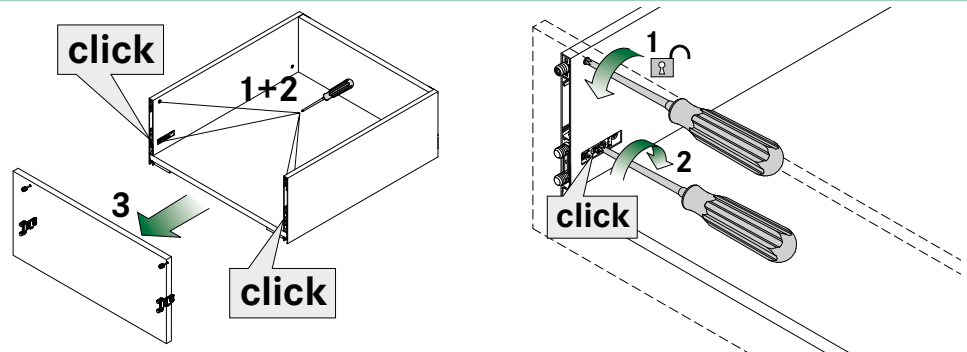
Front panel installation

Insert the front connection into the drawer sides. The front panel engages automatically, fit the front stabiliser.



Removing the front panel

Use Pozidriv No. 2 screw driver to release.

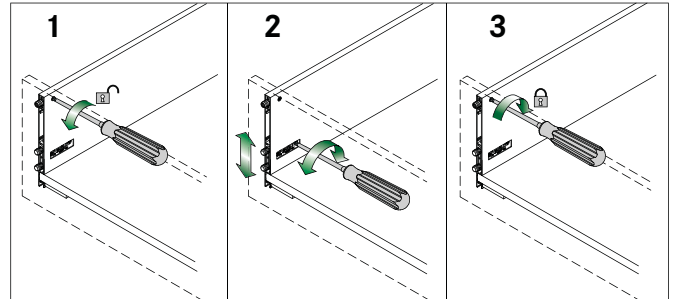
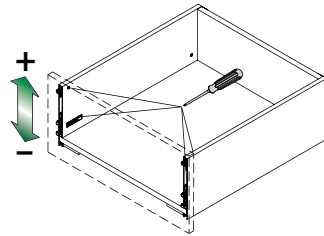


PAGE REFERENCES

Drawer sides	11	Divider railing	42	Assembly technology	72
Slides	28	Steel back panels	44	Assembly aids	76
Inset panels	34	Sensomatic	55	Packaging code	83

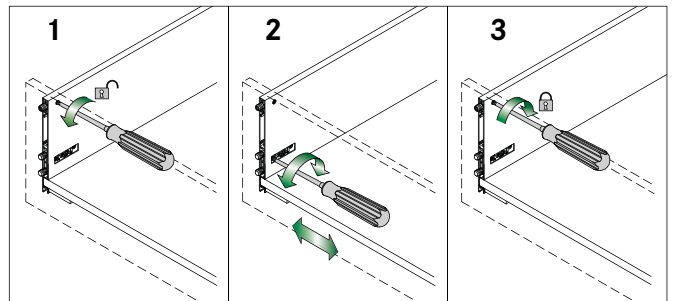
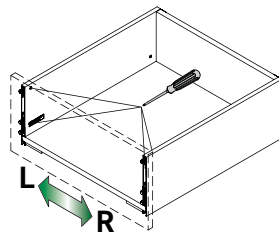
ADJUSTMENTS

Height adjustment with cam (+2.5/-1.5 mm)

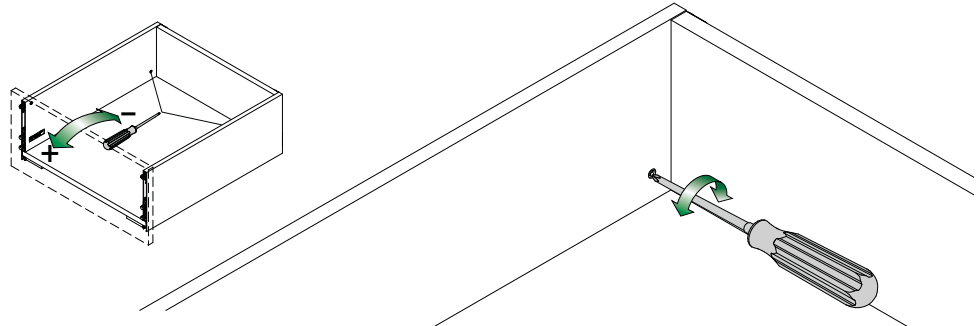


Side adjustment (± 1.5 mm)

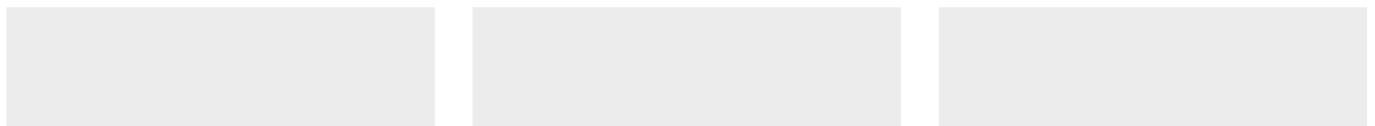
Adjust both sides.



Front tilt angle adjustment (+2.5/-1.5 mm)



LEGEND

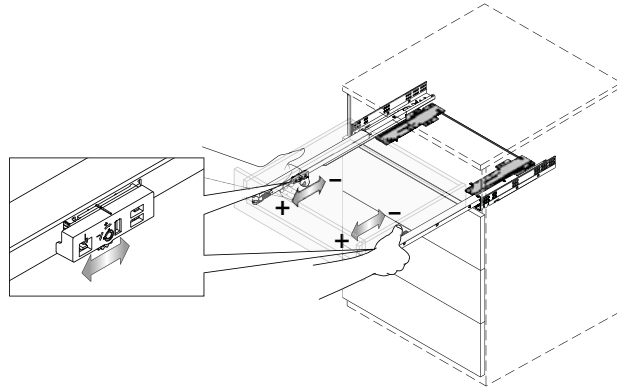
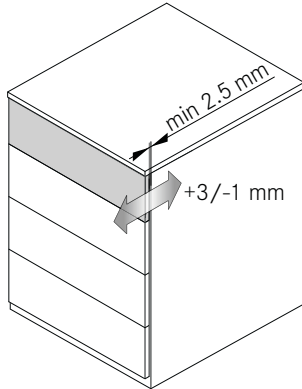


VIONARO

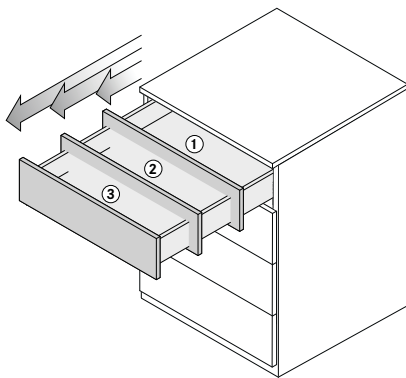
Technical information

DYNAPRO TIPMATIC SOFT-CLOSE

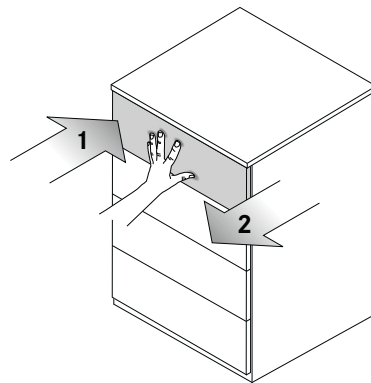
Front gap adjustment (+3 mm / -1 mm)



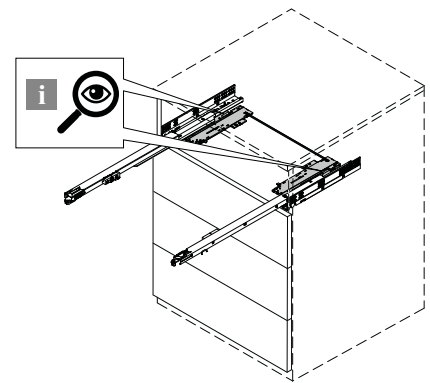
Opening force



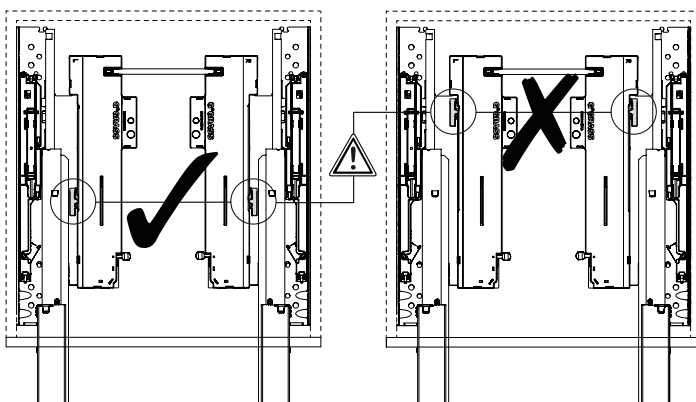
A



B

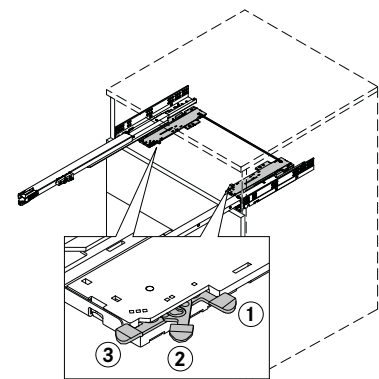


i



X → A
✓ → C

C

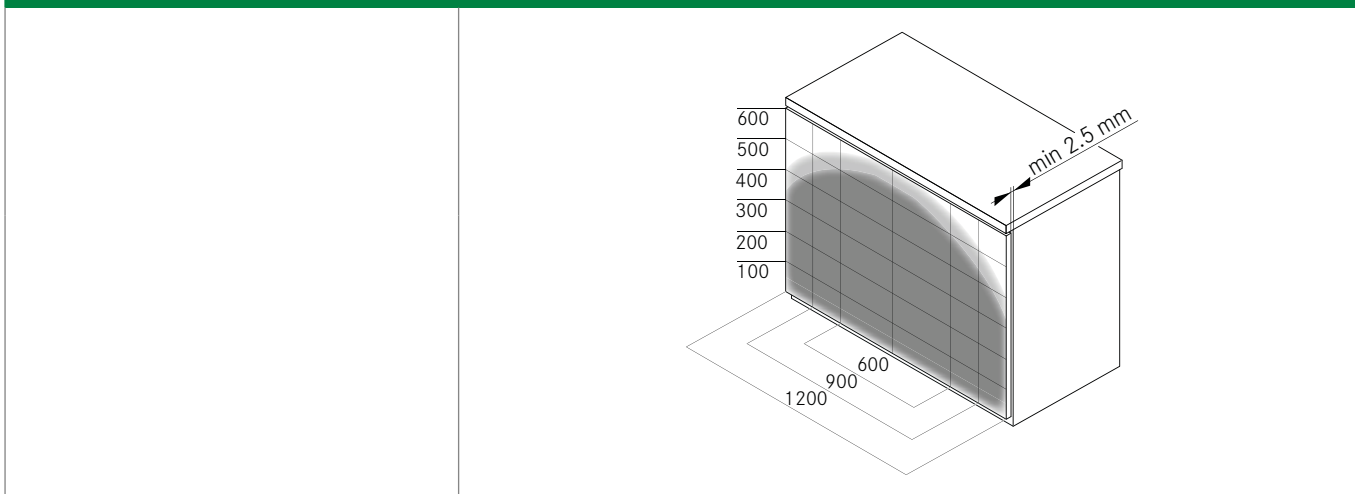


PAGE REFERENCES

Drawer sides	11	Divider railing	42	Assembly technology	72
Slides	28	Steel back panels	44	Assembly aids	76
Inset panels	34	Sensomatic	55	Packaging code	83

DYNAPRO TIPMATIC SOFT-CLOSE

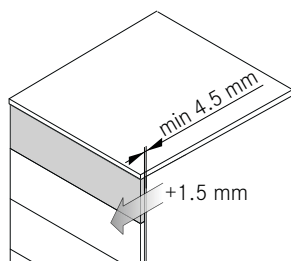
Activation zone



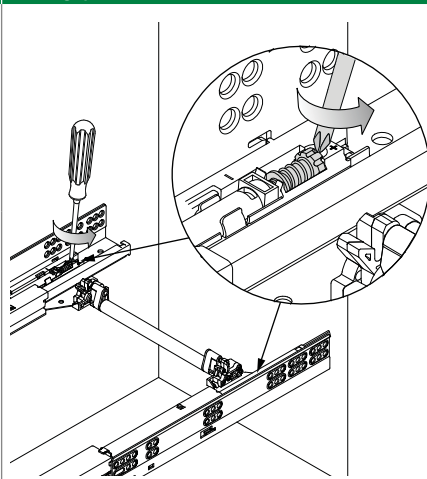
DYNAPRO TIPMATIC

Front gap adjustment (max. +1.5 mm)

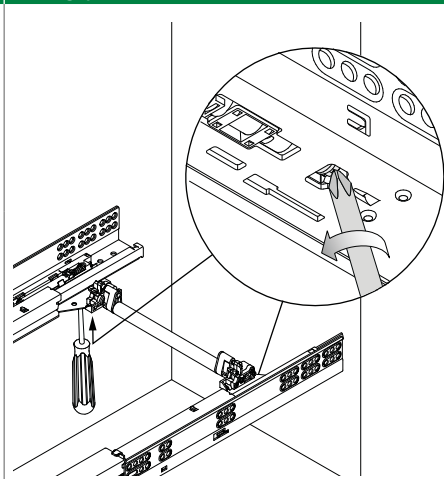
Reliable opening and closing of the drawer depends on the front gap adjustment (min. 4.5 mm = factory setting). If the front height is greater than 300 mm the front gap must be increased to the maximum 6 mm.



Front gap adjustment from above



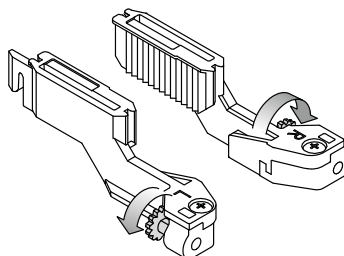
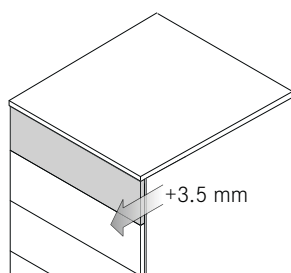
Front gap adjustment from below



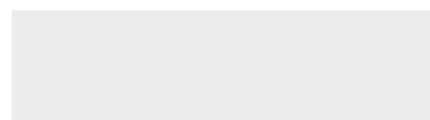
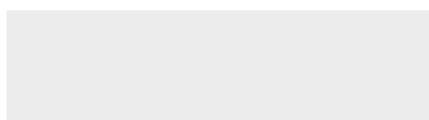
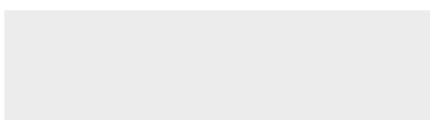
DYNAPRO DEPTH ADJUSTMENT

Depth adjustment (max. +3.5 mm)

Can be used for Dynapro Soft-close (not compatible with Dynapro Tipmatic and Dynapro Tipmatic Soft-close).



LEGEND





SENSOMATIC OPENING SYSTEM

Small lever. Large effect.
Functional technology starts with the detail.

QUALITY CERTIFICATE
LGAI

Ideally, the development of new movement systems focuses directly on its future users. Sensomatic is a perfect example.

The electro-mechanical system supports the opening process with a small lever which gently starts the drawer movement. Sensomatic is extremely frugal. This is true of both the consumption of electricity and the space required by the drive unit behind the drawer.

The fact that the opening system can be triggered anywhere on the front surface means that it is a perfect movement system that already meets the functional requirements of the future.

VIONARO SENSOMATIC

Electro-mechanical opening of drawers.





For a balance between stylish design and functional comfort.

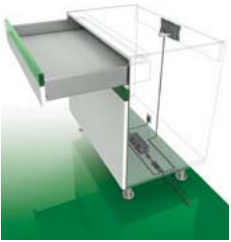
Product designation	Page
Sensomatic single set	58
Standard cabinet with horizontal wooden stretcher	60
Standard cabinet with vertical wooden stretcher	62
Single drawer with overhead frame set mounting	64
Single drawer with back panel frame set mounting	66
Installation instructions	68

VIONARO SENSOMATIC

Electro-mechanical opening of drawers.

For a balance between stylish design and functional comfort.

	Product description	Page
	<p>Sensomatic single set</p> <ul style="list-style-type: none"> • Complete set for a single drawer • For cabinet widths of up to 1200 mm • Easy to install • Very simple wiring (plug and play) 	58
	<p>Standard cabinet with horizontal wooden stretcher</p> <ul style="list-style-type: none"> • Minimal additional space requirement between drawer back panel and cabinet • Very simple wiring (plug and play) • Just one drive unit for cabinet widths of up to 1200 mm • Large trigger range 	60
	<p>Standard cabinet with vertical wooden stretcher</p> <ul style="list-style-type: none"> • Minimal additional space requirement between drawer back panel and cabinet • Very simple wiring (plug and play) • Just one drive unit for cabinet widths of up to 1200 mm • Large trigger range 	62
	<p>Single drawer with overhead frame set mounting</p> <ul style="list-style-type: none"> • Minimal additional space requirement between drawer back panel and cabinet • Very simple wiring (plug and play) • Just one drive unit for cabinet widths of up to 1200 mm • Large trigger range 	64

	Product description	Page
	<p>Single drawer with back panel frame set mounting</p> <ul style="list-style-type: none"> • Minimal additional space requirement between drawer back panel and cabinet • Very simple wiring (plug and play) • Just one drive unit for cabinet widths of up to 1200 mm • Large trigger range 	66

VIONARO SENSOMATIC

Single set



- Electro-mechanical opening system
- Combines handle-free opening with Soft-close damping system
- 1 drive unit for all weight classes
- Easy to fit
- Simple plug and play wiring
- Small additional installation depth
- Single sets include all components necessary for installation
- Ideal for heavy pot drawers and waste separating systems

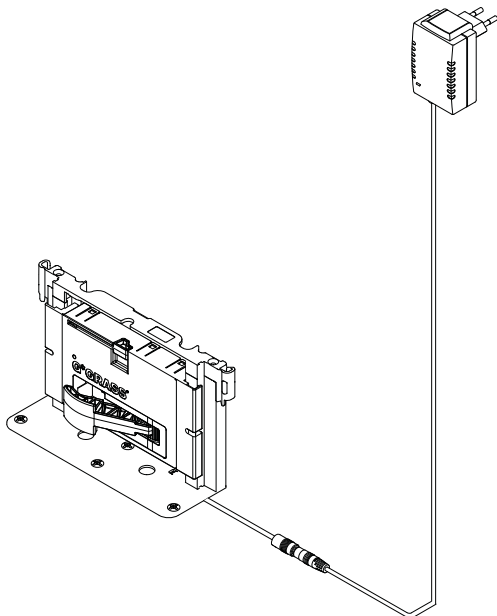
- **Note:**
Other country-specific sets available on request

ORDER INFORMATION

Sensomatic single set		
	Art.-no.	PU
for Dynapro	F121101208	201

1 set includes:

- 1 drive unit (1x)
- 2 installation set (1x)
- 3 power supply unit with plug (1x)
(Central Europe, DE, FR, IT, CH, ES, RU, PT, NL)
- 4 spring-loaded front buffers (4x)
drilling and installation instructions (1x)

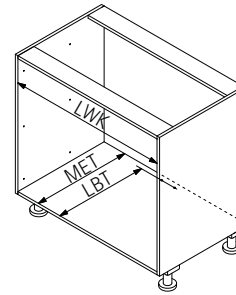
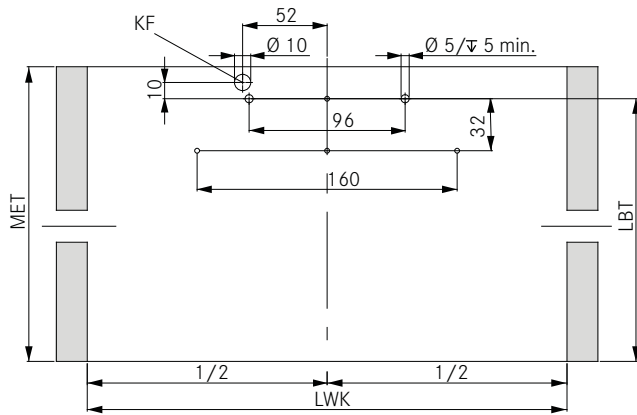


PAGE REFERENCES

Drawer sides	11	Divider railing	42	Assembly technology	72
Slides	28	Steel back panels	44	Assembly aids	76
Inset panels	34	Installation instructions	68	Packaging code	83

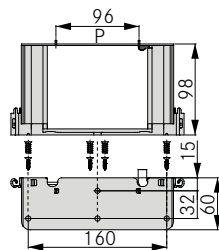
PLANNING DIMENSIONS

Installation dimensions

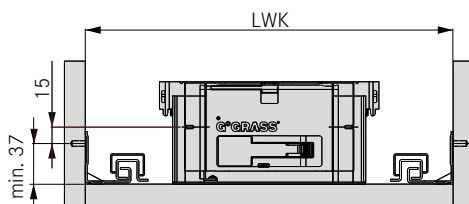


RW	min. LWT	MET	LBT
Wood	273	NL+15	NL

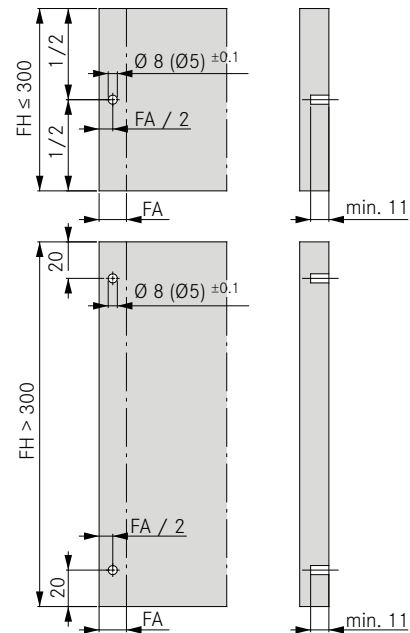
Frame set



Position of drive unit



Position of front buffer



Note:

When installing 70 kg Dynapro slides, 4 front buffers must be inserted into the front.

LEGEND

FA Front overlay
FH Height of front
KF Cable routing
LBT Depth of hole pattern

LWT Inside cabinet width
MET Minimum installation depth
NL Nominal length
P Positioning aid

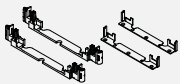
RW Back panel

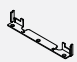
VIONARO SENSOMATIC

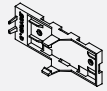
Standard cabinet with horizontal wooden stretcher


ORDER INFORMATION

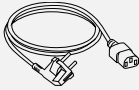
1 Drive unit			
	Art.-no.	PU	
for Dynapro	F121101195	607	


3 Fastening set consisting of: items 3a (2x) and 3b (2x)			
	Art.-no.	PU	
	F121100610	507	

3b Fixing brackets top/bottom			
	Art.-no.	PU	
	F121100270	211	

5 Power supply unit holder			
	Art.-no.	PU	
	F121100604	507	


7 Connection cable with 2-way adapter			
	Length	Art.-no.	PU
	600	F121100288	207
	1000	F121100289	207
	2000	F121100291	207

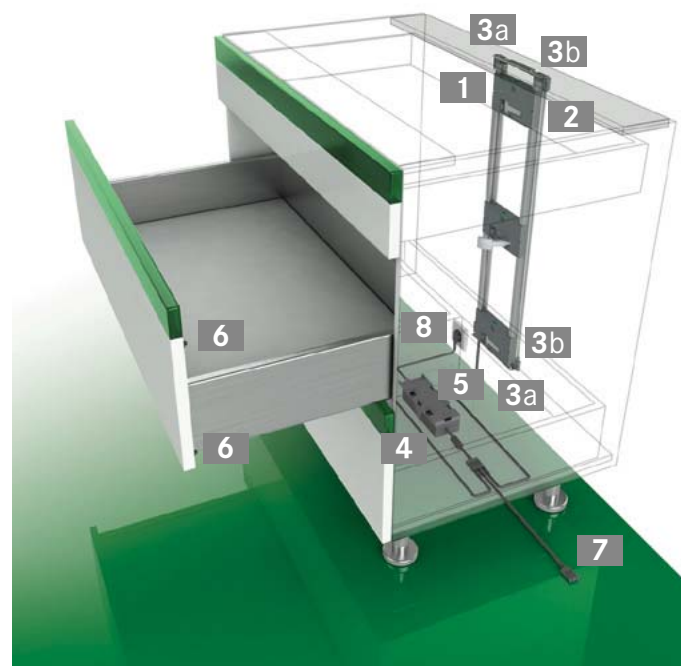
8 Power supply cable			
	K A E L D C		
	Plug	Art.-no.	PU
	Power supply cable K (USA, CAN)	F120069760	207
	Power supply cable K (JP)	F120072445	207
	Power supply cable A (DE, ES, FR, IT, RU, NL, SE)	F120069761	207
	Power supply cable E (DK)	F120069763	207
	Power supply cable L (CH)	F120069765	207
	Power supply cable D (UK, AE, MY)	F120069766	207
	Mains cable C (AU, NZ)	F120078669	207
	without plug	F120069767	207

2 Frame sides including frame side cable			
	Length	Art.-no.	PU
	653	F121100284	207
	750	F121100285	207
	1170	F121100286	207

3a Frame connector			
	Art.-no.	PU	
	F121100282	211	

4 Power supply unit			
	Art.-no.	PU	
	F121100269	607	

6 Front buffer, spring-loaded				
	Ø	Front gap	Art.-no.	PU
	5	2.2	F121100294	223
		3	F121100295	223
	8	2.2	F121100297	223
		3	F121100298	223

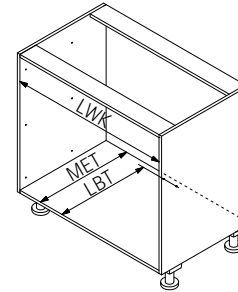
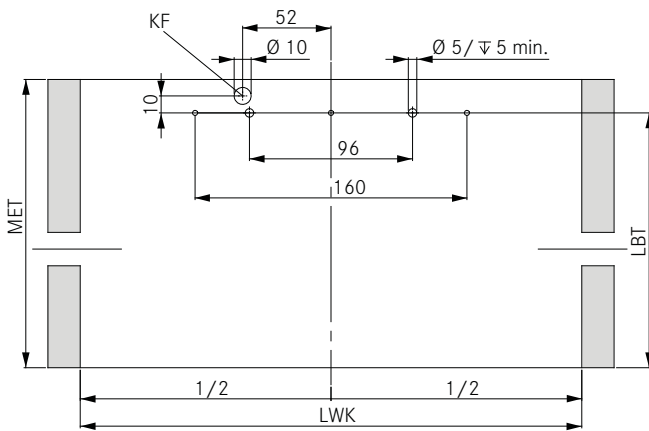


PAGE REFERENCES

Drawer sides	11	Divider railing	42	Assembly technology	72
Slides	28	Steel back panels	44	Assembly aids	76
Inset panels	34	Installation instructions	68	Packaging code	83

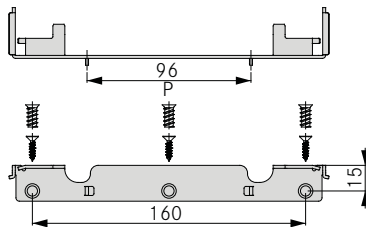
PLANNING DIMENSIONS

Installation dimensions

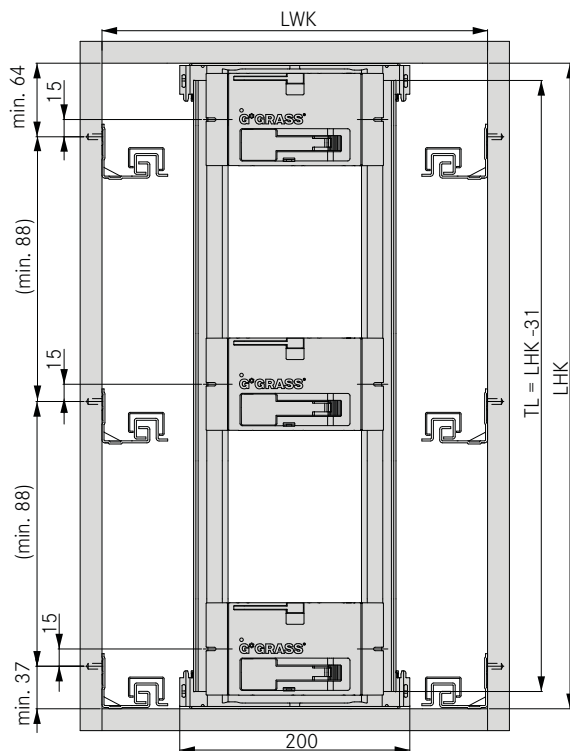


RW	min. LWK	MET	LBT
Wood	273	NL+15	NL

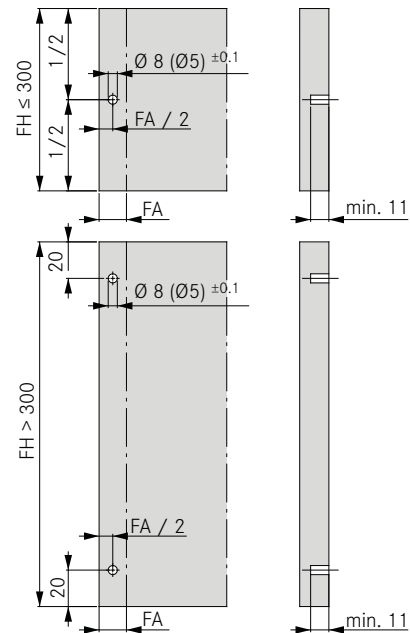
Fixing brackets, top/bottom



Position of drive unit



Position of front buffer



Note:

When installing 70 kg Dynapro slides, 4 front buffers must be inserted into the front.

LEGEND

FA Front overlay
FH Height of front
KF Cable routing
LBT Depth of hole pattern

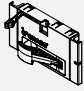
LHK Inside cabinet height
LWK Inside cabinet width
MET Minimum installation depth
NL Nominal length

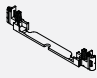
P Positioning aid
RW Back panel
TL Length of frame side

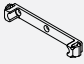
VIONARO SENSOMATIC

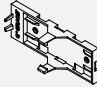
Standard cabinet with vertical wooden stretcher


ORDER INFORMATION



1 Drive unit			
	Art.-no.	PU	
for Dynapro	F121101195	607	


3 Frame connector			
	Art.-no.	PU	
	F121100282	211	

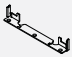
5 Fixing bracket, back inside mounted			
	Art.-no.	PU	
	F121100275	207	

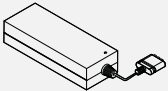
7 Power supply unit holder			
	Art.-no.	PU	
	F121100604	507	


9 Connection cable with 2-way adapter			
	Length	Art.-no.	PU
	600	F121100288	207
	1000	F121100289	207
	2000	F121100291	207

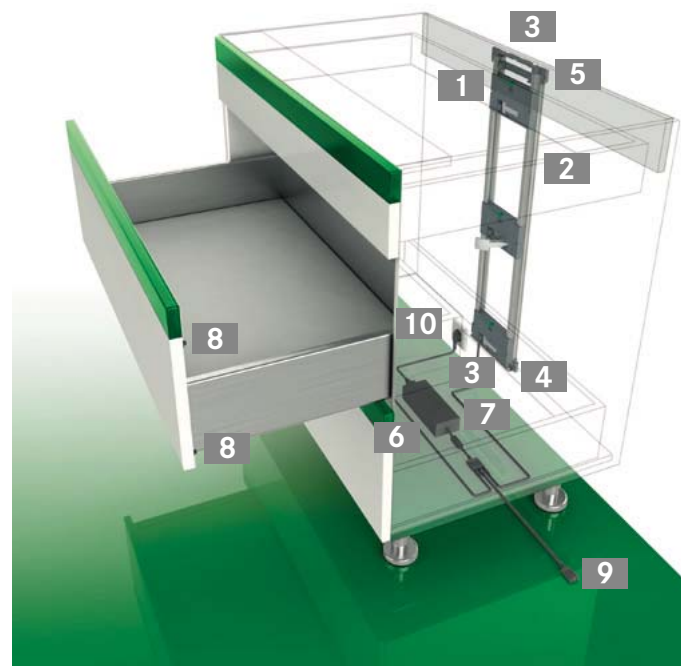
10 Power supply cable				
	K A E L D C			
	Plug	Art.-no.	PU	
	Power supply cable K (USA, CAN)	F120069760	207	
	Power supply cable K (JP)	F120072445	207	
	Power supply cable A (DE, ES, FR, IT, RU, NL, SE)	F120069761	207	
	Power supply cable E (DK)	F120069763	207	
	Power supply cable L (CH)	F120069765	207	
	Power supply cable D (UK, AE, MY)	F120069766	207	
	Mains cable C (AU, NZ)	F120078669	207	
	without plug	F120069767	207	

2 Frame sides including frame side cable			
	Length	Art.-no.	PU
	653	F121100284	207
	750	F121100285	207
	1170	F121100286	207

4 Fixing brackets top/bottom			
	Art.-no.	PU	
	F121100270	211	

6 Power supply unit			
	Art.-no.	PU	
	F121100269	607	

8 Front buffer, spring-loaded				
	Ø	Front gap	Art.-no.	PU
	5	2.2	F121100294	223
		3	F121100295	223
	8	2.2	F121100297	223
		3	F121100298	223

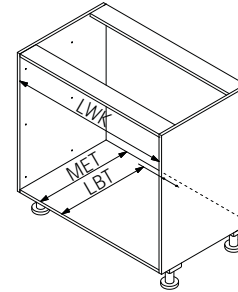
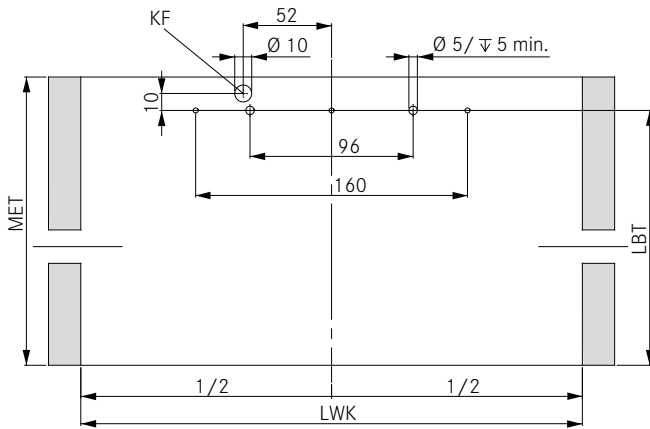


PAGE REFERENCES

Drawer sides	11	Divider railing	42	Assembly technology	72
Slides	28	Steel back panels	44	Assembly aids	76
Inset panels	34	Installation instructions	68	Packaging code	83

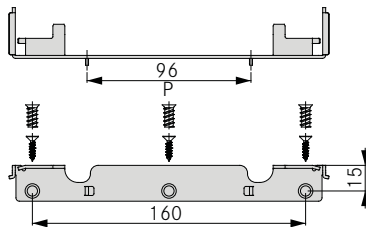
PLANNING DIMENSIONS

Installation dimensions

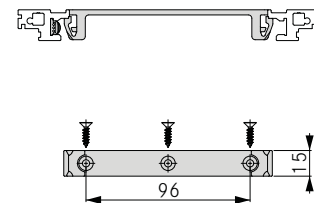


RW	min. LWB	MET	LBT
Wood	273	NL+15	NL

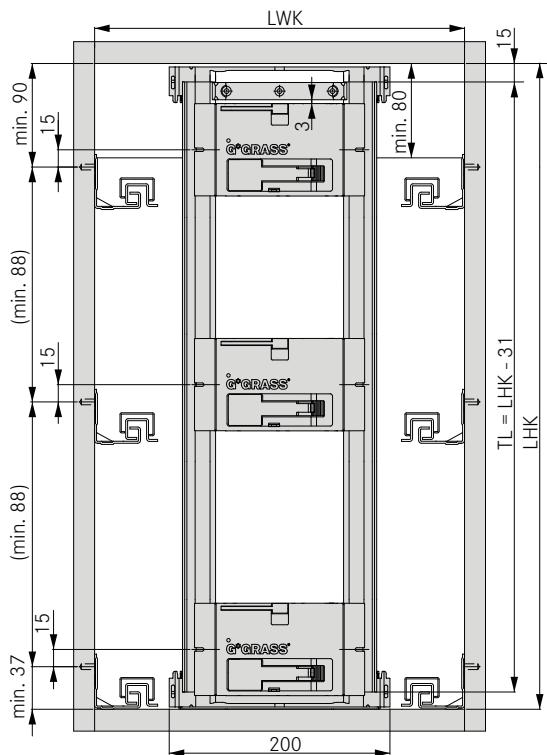
Fixing bracket, top/bottom



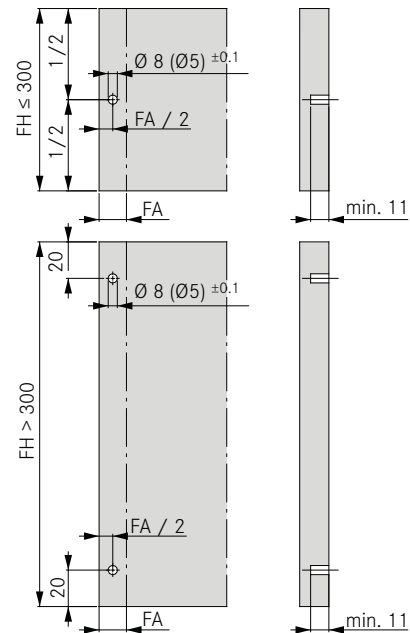
Fixing bracket, back, inside mounted



Position of drive unit



Position of front buffer



Note:
When installing 70 kg Dynapro slides, 4 front buffers must be inserted into the front.

LEGEND

FA Front overlay
FH Height of front
KF Cable routing
LBT Depth of hole pattern

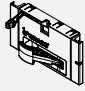
LHK Inside cabinet height
LWB Inside cabinet width
MET Minimum installation depth
NL Nominal length

P Positioning aid
RW Back panel
TL Length of frame side

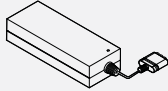
VIONARO SENSOMATIC

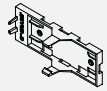
Single drawer with overhead frame set mounting


ORDER INFORMATION


1 Drive unit			
	Art.-no.	PU	
for Dynapro	F121101195	607	



2 Installation set			
	Art.-no.	PU	
	F121100273	207	

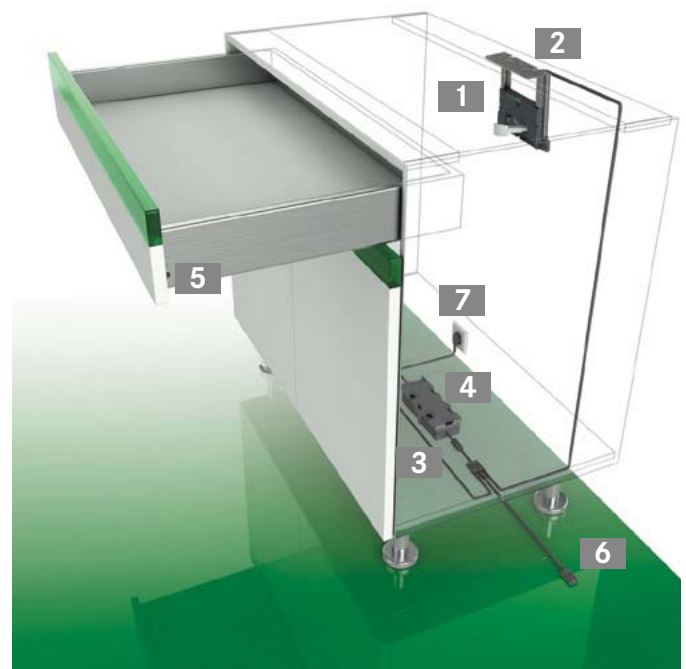
3 Power supply unit			
	Art.-no.	PU	
	F121100269	607	

4 Power supply unit holder			
	Art.-no.	PU	
	F121100604	507	

5 Front buffer, spring-loaded			
	Ø	Front gap	Art.-no.
	5	2.2	F121100294
		3	F121100295
	8	2.2	F121100297
		3	F121100298
			PU
			223
			223
			223
			223

6 Connection cable with 2-way adapter			
	Length	Art.-no.	PU
	600	F121100288	207
	1000	F121100289	207
	2000	F121100291	207

7 Power supply cable			
	K A E L D C		
Plug	Art.-no.	PU	
Power supply cable K (USA, CAN)	F120069760	207	
Power supply cable K (JP)	F120072445	207	
Power supply cable A (DE, ES, FR, IT, RU, NL, SE)	F120069761	207	
Power supply cable E (DK)	F120069763	207	
Power supply cable L (CH)	F120069765	207	
Power supply cable D (UK, AE, MY)	F120069766	207	
Mains cable C (AU, NZ)	F120078669	207	
without plug	F120069767	207	



PAGE REFERENCES

Drawer sides	11	Divider railing	42	Assembly technology	72
Slides	28	Steel back panels	44	Assembly aids	76
Inset panels	34	Installation instructions	68	Packaging code	83

PLANNING DIMENSIONS

Installation dimensions

RW	min. LWK	MET	LBT
Wood	273	NL+15	NL

Frame set

Position of drive unit

Position of front buffer

Note:
When installing 70 kg Dynapro slides, 4 front buffers must be inserted into the front.

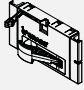
LEGEND

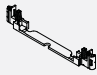
FA	Front overlay	LBT	Depth of hole pattern	P	Positioning aid
FH	Height of front	LWK	Inside cabinet width	RW	Back panel
KF	Cable routing	MET	Minimum installation depth		
KUB	Cabinet base	NL	Nominal length		

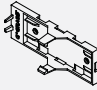
VIONARO SENSOMATIC


Single drawer with back panel frame set mounting



ORDER INFORMATION


1 Drive unit			
	Art.-no.	PU	
for Dynapro	F121101195	607	

3 Frame connector			
	Art.-no.	PU	
	F121100282	211	


5 Power supply unit holder			
	Art.-no.	PU	
	F121100604	507	

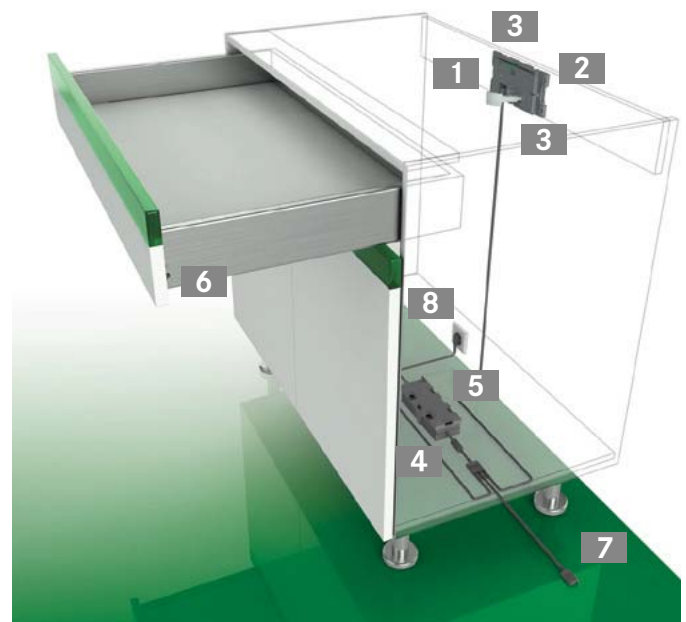
7 Connection cable with 2-way adapter			
	Length	Art.-no.	PU
	600	F121100288	207
	1000	F121100289	207
	2000	F121100291	207

8 Power supply cable			
			
	Plug	Art.-no.	PU
	Power supply cable K (USA, CAN)	F120069760	207
	Power supply cable K (JP)	F120072445	207
	Power supply cable A (DE, ES, FR, IT, RU, NL, SE)	F120069761	207
	Power supply cable E (DK)	F120069763	207
	Power supply cable L (CH)	F120069765	207
	Power supply cable D (UK, AE, MY)	F120069766	207
	Mains cable C (AU, NZ)	F120078669	207
	without plug	F120069767	207

2 Frame sides for back panel frame set mounting including hole drilling			
	Art.-no.	PU	
	F121100283	207	

4 Power supply unit			
	Art.-no.	PU	
	F121100269	607	

6 Front buffer, spring-loaded				
	Ø	Front gap	Art.-no.	PU
	5	2.2	F121100294	223
		3	F121100295	223
	8	2.2	F121100297	223
		3	F121100298	223

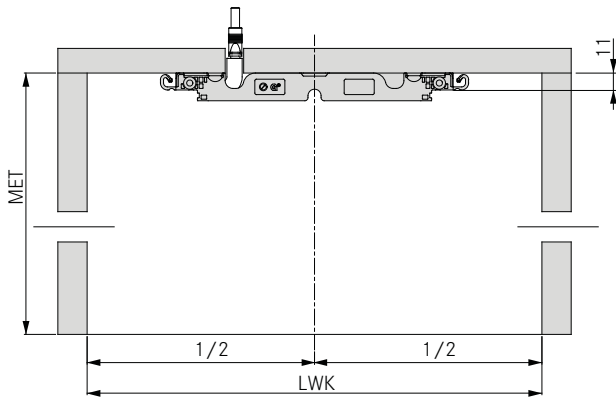


PAGE REFERENCES

Drawer sides	11	Divider railing	42	Assembly technology	72
Slides	28	Steel back panels	44	Assembly aids	76
Inset panels	34	Installation instructions	68	Packaging code	83

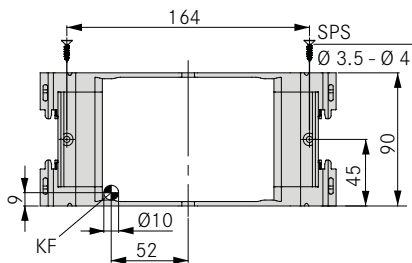
PLANNING DIMENSIONS

Installation dimensions

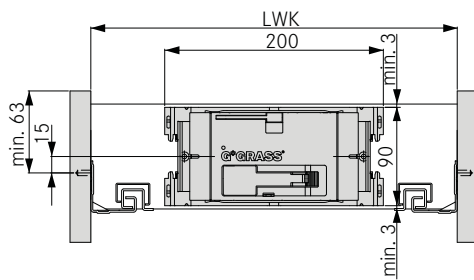


RW	min. LWK	MET
Wood	273	NL+15

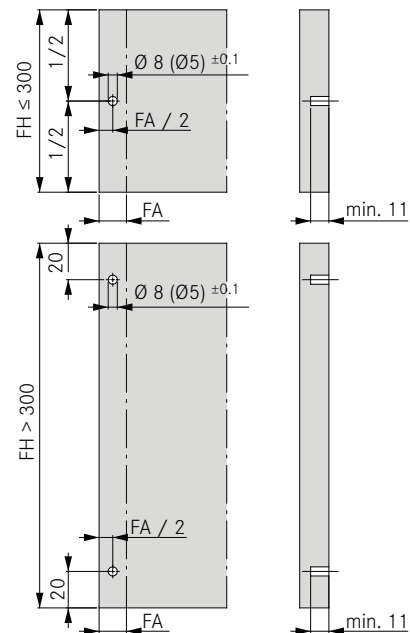
Frame sides



Position of drive unit



Position of front buffer



Note:

When installing 70 kg Dynapro slides, 4 front buffers must be inserted into the front.

LEGEND

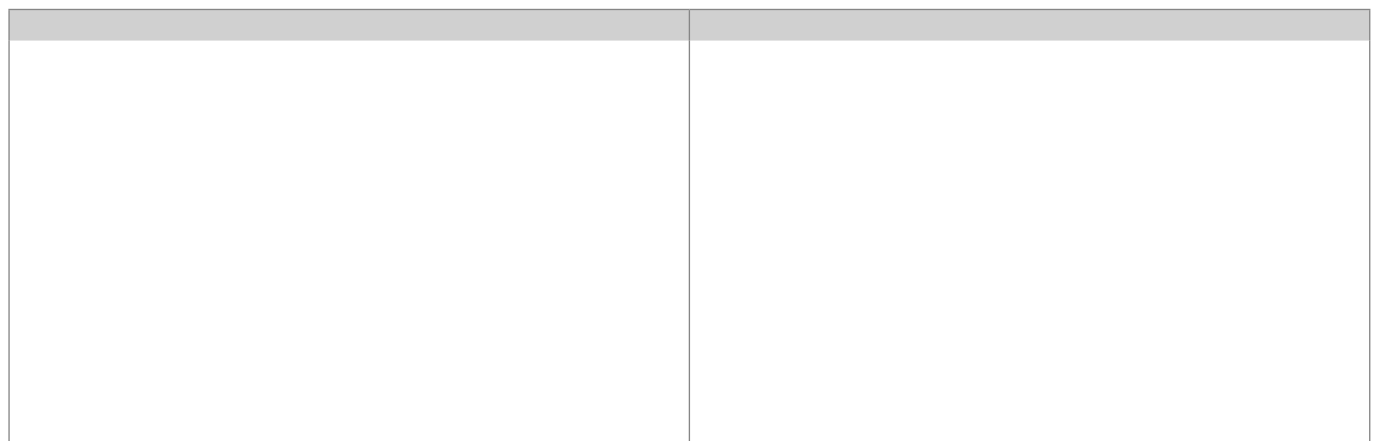
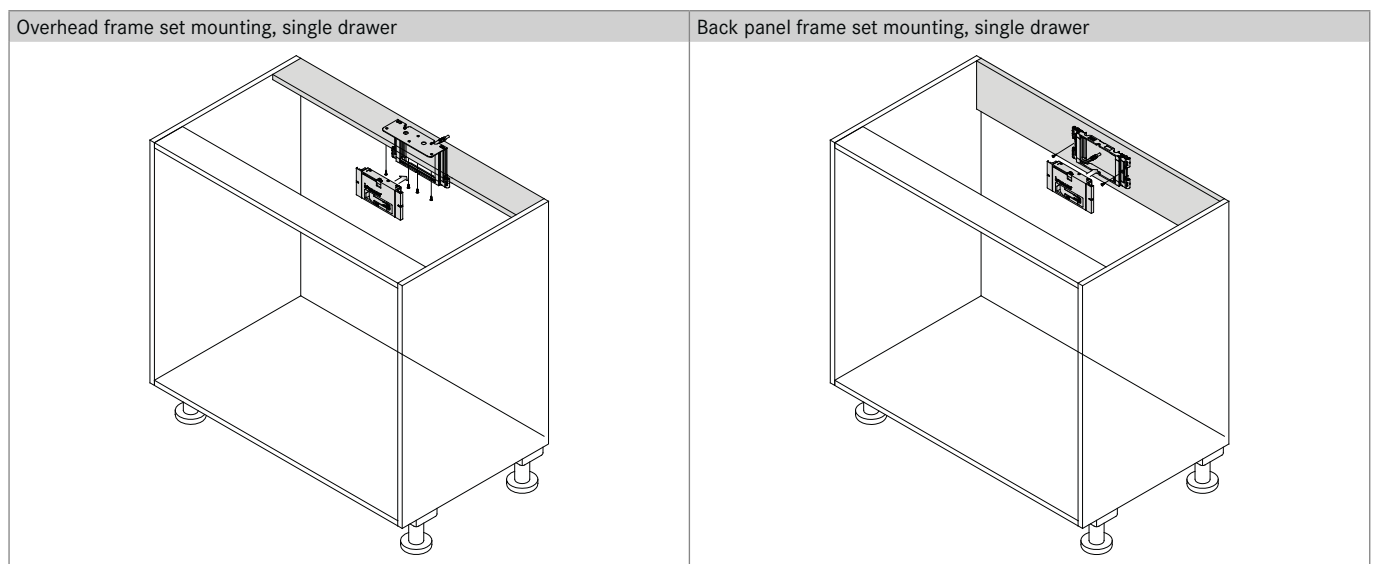
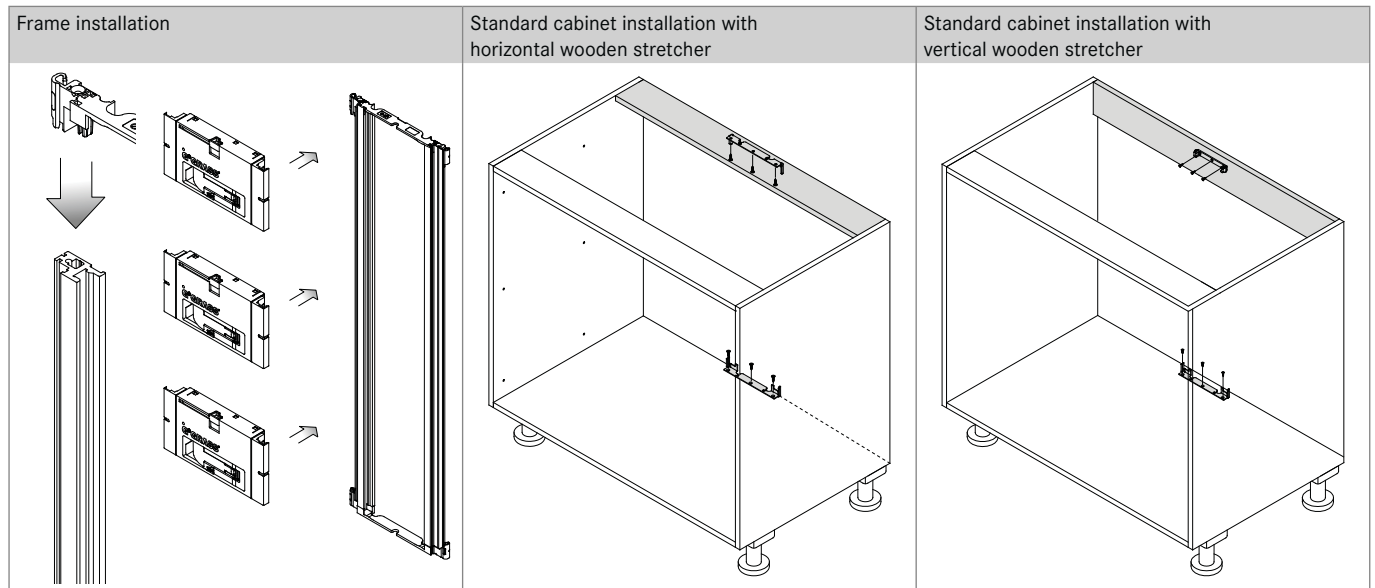
FA Front overlay
FH Height of front
KF Cable routing
LWK Inside cabinet width

MET Minimum installation depth
NL Nominal length
RW Back panel
SPS Chipboard screw

VIONARO SENSOMATIC

Installation instructions

INSTALLATION INSTRUCTIONS

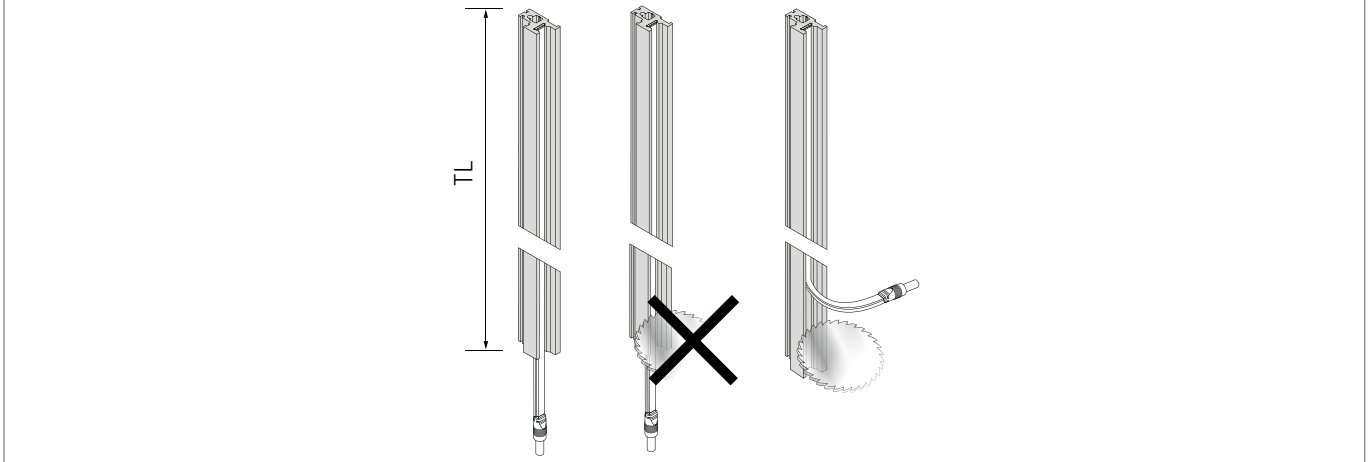


PAGE REFERENCES

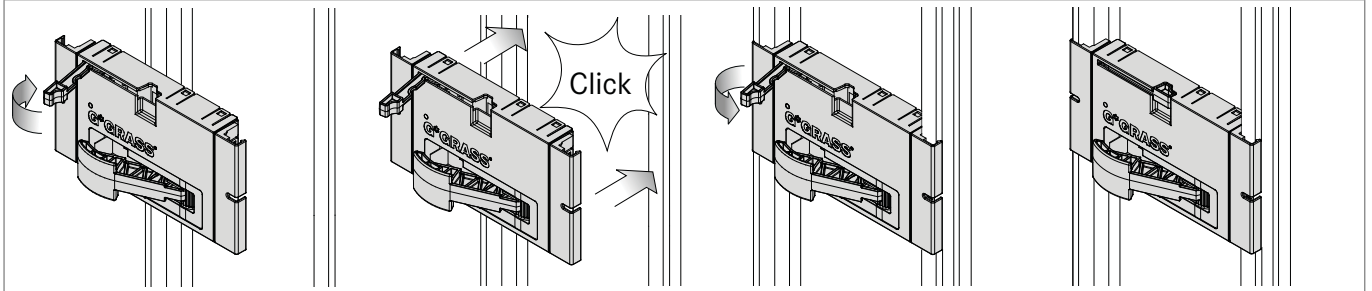
Horizontal wooden stretcher	60	Back panel frame set mounting	66	Steel back panels	44
Vertical wooden stretcher	62	Drawer sides	11	Assembly technology	72
Overhead frame set mounting	64	Slides	28	Packaging code	83

INSTALLATION INSTRUCTIONS

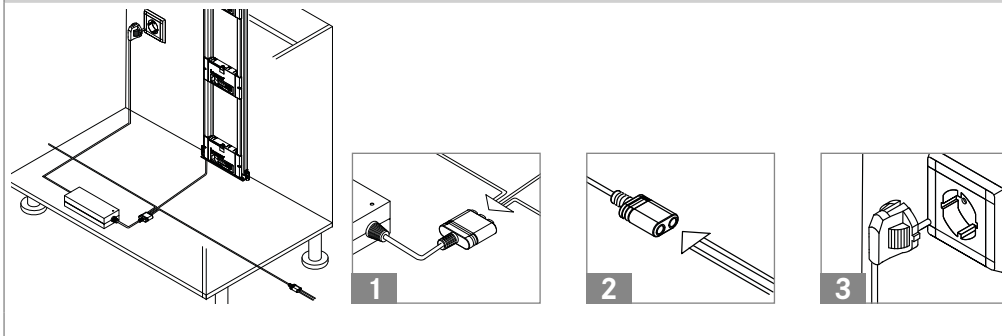
Cutting frame element to length (horizontal and vertical wooden stretchers)



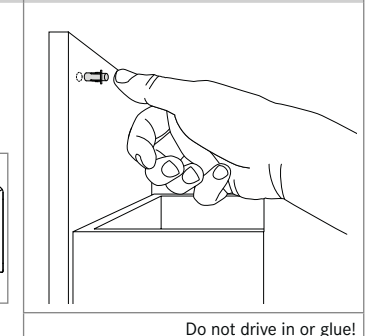
Installation of drive unit



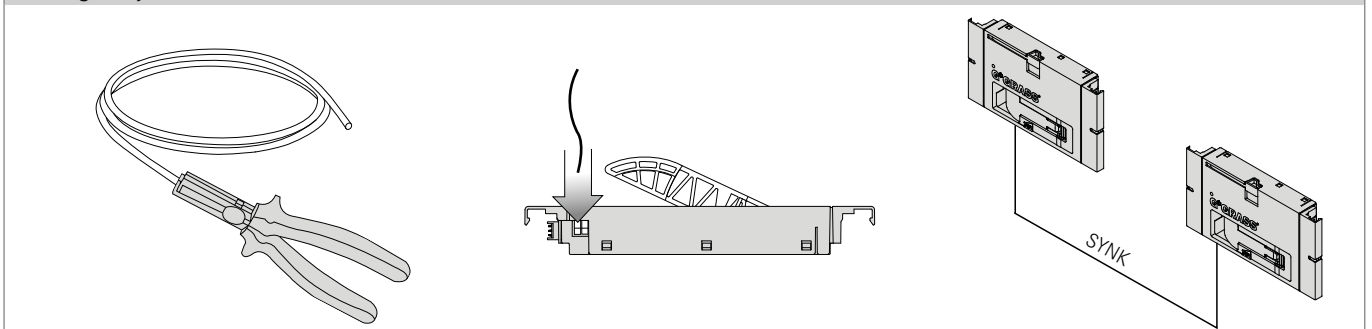
Wiring (connection sequence)



Inserting front buffer



Installing the synchronisation cable



LEGEND

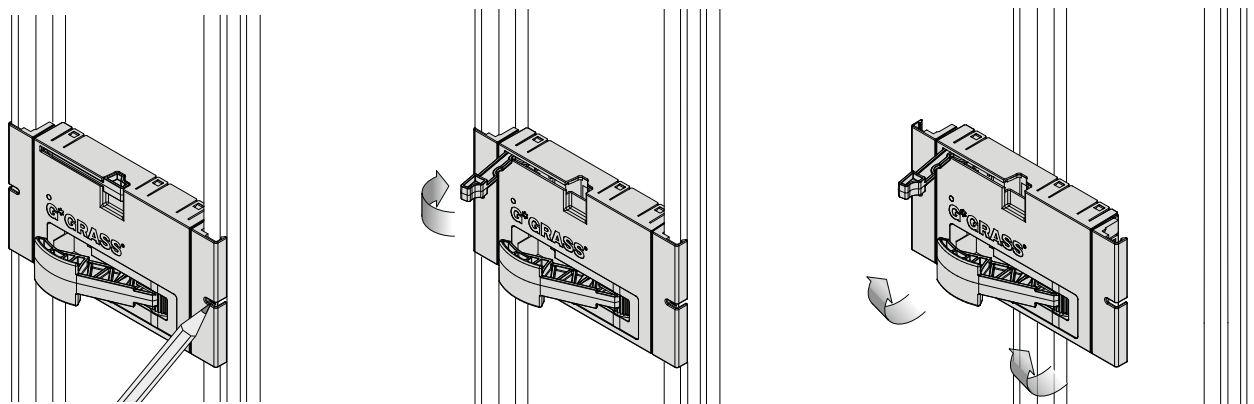
SYNK Synchronisation cable
TL Length of frame side

VIONARO SENSOMATIC

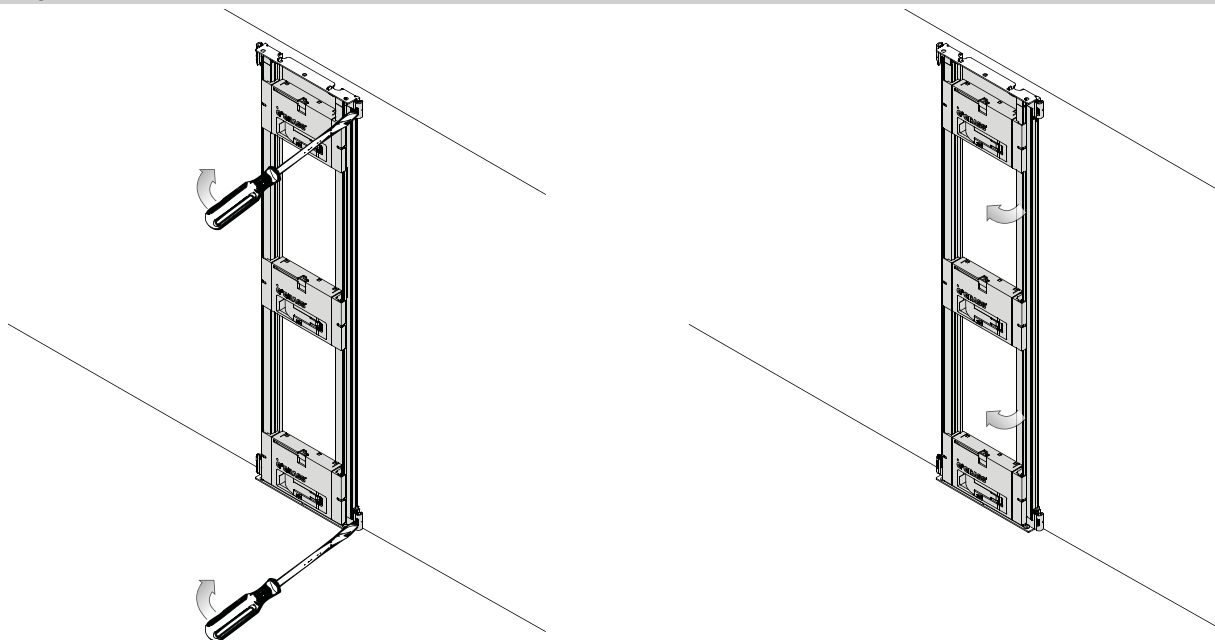
Dismantling instructions

DISMOUNTING

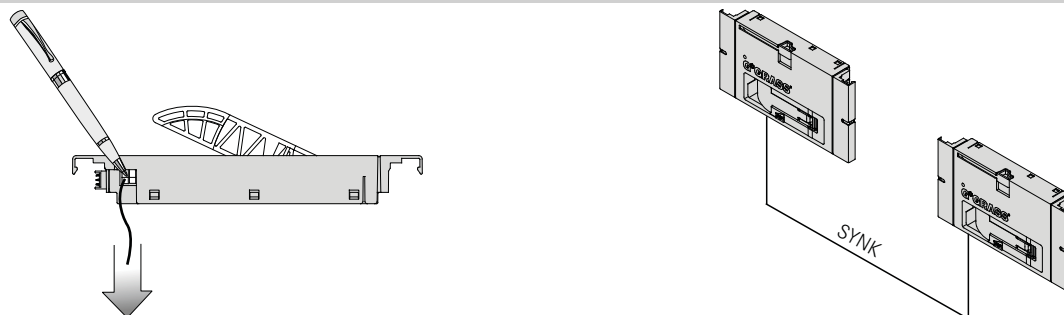
Dismantling the drive unit



Dismantling the frame sides



Dismantling the synchronisation cable

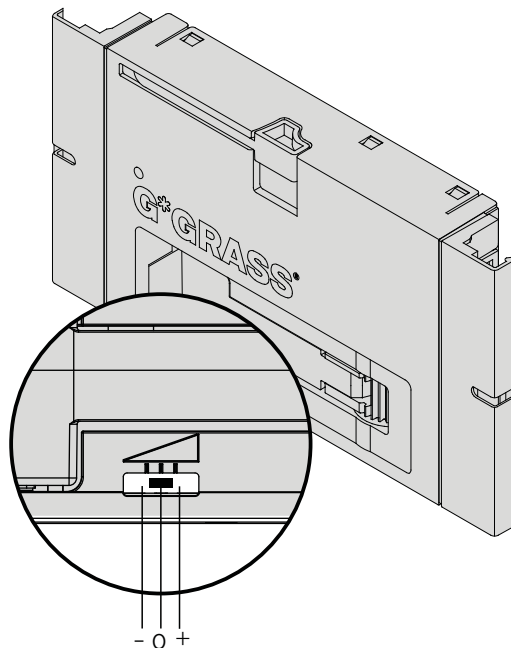


PAGE REFERENCES

Horizontal wooden stretcher	60	Back panel frame set mounting	66	Steel back panels	44
Vertical wooden stretcher	62	Drawer sides	11	Assembly technology	72
Overhead frame set mounting	64	Slides	28	Packaging code	83

ADJUSTMENT

Variable drive force



NOTES

- Cabinet must be level
- System must be disconnected for installation and dismantling!
- Provide switched sockets
- From a cabinet width of 1200 mm we recommend the installation of 2 drive units. The synchronisation cable ensures that these units are activated simultaneously.
- **Important:**
In the area of the drive lever, no screws must be inserted into the drawer back panel
- With each power supply unit it is possible to operate up to 30 drive units

TECHNICAL DATA

- **Application area**
only in dry, indoor rooms
- **Power supply unit**
Voltage supply: 100 to 240 V
Power supply frequency: 50 to 60 Hz
Max. power output: 230 W
- **Drive unit**
Voltage supply: 24 V
- **Operating conditions**
Temperature: 0 to 50 °C
Relative humidity: 15 to 90 %
non-condensing

LEGEND

SYNK Synchronisation cable

TECMATOR ZP-V-E

Industrial production of Vionaro regular and pot drawers



- Suitable for press fitting Vionaro steel drawers (H89 / H121 / H185) with wooden or steel back panels
- Simple handling of the individual parts on the machine
- For series production
- Automatic press fitting of the bottom spike
- Stepless width adjustment
- Standard widths with locking positions
- Sturdy frame construction

Note:

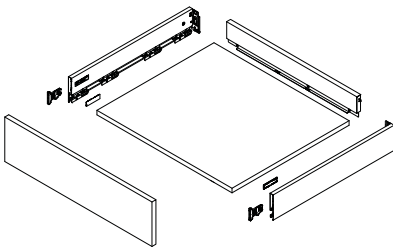
- Wooden back panels can only be used if the steel pushers for press-in dowel insertion are removed or the back panels are pre-drilled

ORDER INFORMATION

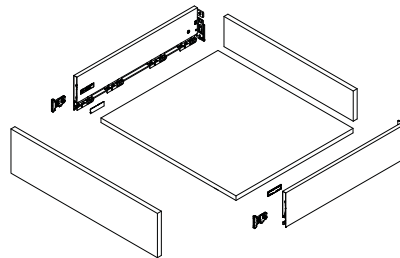
Designation	Art.-no.	PU
Tecmator ZP-V-E	F146101343	299*

* on request

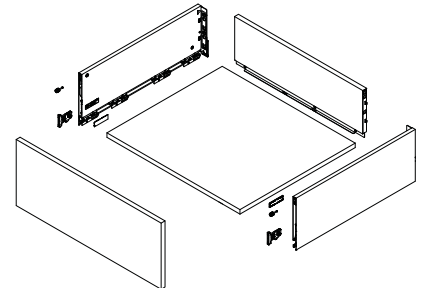
VIONARO H89



VIONARO H121



VIONARO H185



ADVANTAGES

Easy width adjustment thanks to pneumatic clamping



The individual components of the machine can be easily handled



The frame structure ensures excellent stability



PAGE REFERENCES

Drawer sides	11	Divider railing	42	Assembly aids	76
Slides	28	Steel back panels	44	Packaging code	83
Inset panels	34	Sensomatic	55		

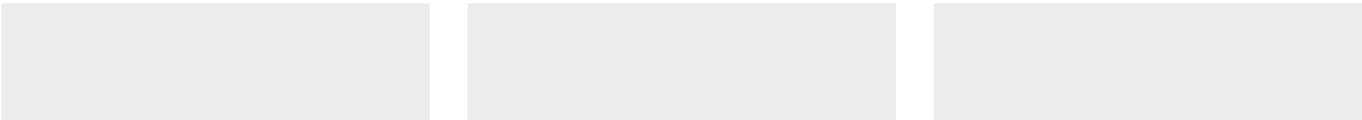
TECHNICAL DATA

Connections	
Pneumatic	6 bar dry

Dimensions	
Width	1.80 m
Depth	1.00 m
Height	1.90 m

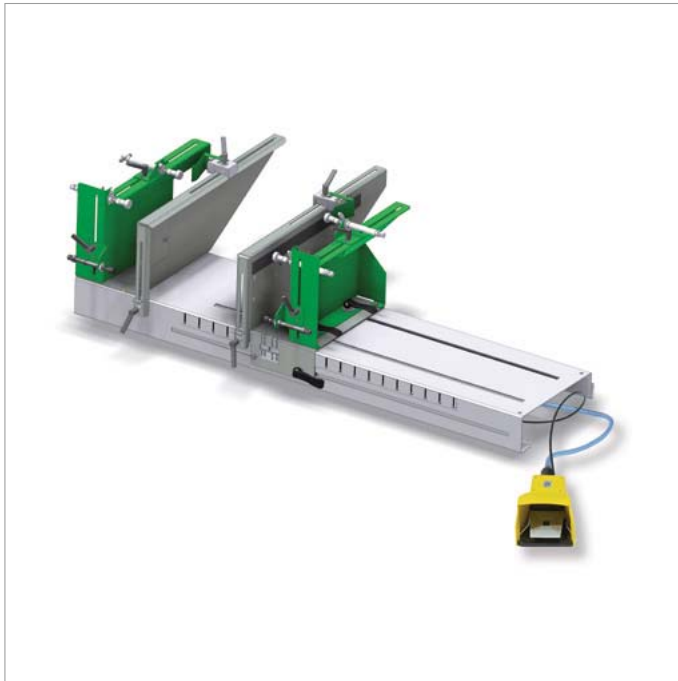
Weight	
ZP-V-E	120 kg

LEGEND



TECMATOR ZMV-TP4

Semi-automatic assembly of regular and pot drawers

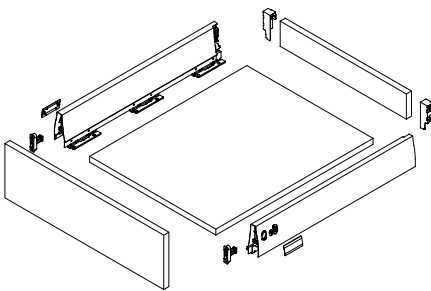


- Pneumatic table-top machine (up to a drawer width of 250 mm) for all GRASS slide systems: Nova Pro, DWD XP, Vionaro and Integra
- Drawers with an external cabinet width of up to 1200 mm can be processed with the ZMV-TP4
- Easy and straightforward handling
- Sturdy construction
- For small series production
- Pneumatic control system
- High performance

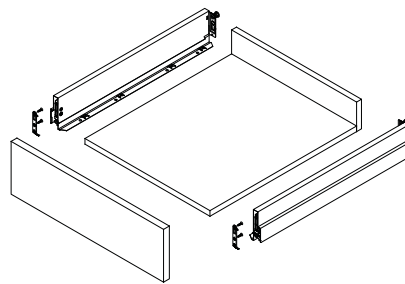
ORDER INFORMATION

Designation	Art.-no.	PU
Tecmator ZMV-TP4	F146108668	201

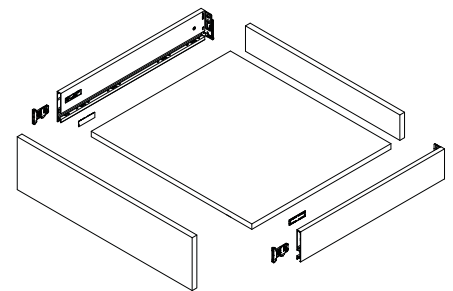
DWD XP



NOVA PRO

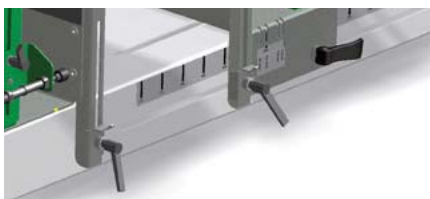


VIONARO



ADVANTAGES

Tool-free setting



Sturdy base frame with pneumatic closing mechanism



All GRASS drawer systems can be processed



PAGE REFERENCES

Drawer sides	11	Divider railing	42	Assembly aids	76
Slides	28	Steel back panels	44	Packaging code	83
Inset panels	34	Sensomatic	55		

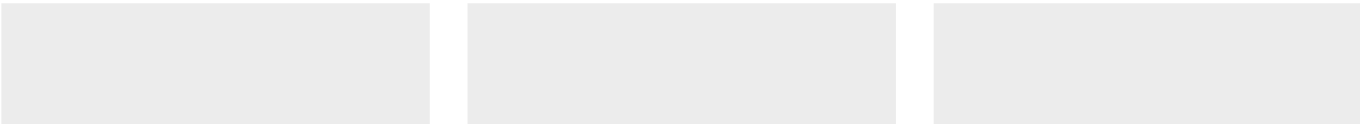
TECHNICAL DATA

Connections	
Pneumatic	6 bar

Dimensions	
Width	1.62 m
Depth	0.90 m
Height	0.5 m

Weight	
ZMV-TP4	65 kg

LEGEND



ASSEMBLY AIDS

Vionaro



FRONT DRILLING JIG

Front drilling jig for Vionaro front holder and front stabiliser.

	Art.-no.	PU
	F146100562	201



MARKING JIG

For exact marking of the holes for the Vionaro front holder and front stabiliser.

A set comprises:

- 2 marking jigs for front fixing H63

A set comprises:

- 2 marking jigs for front fixing H89/H121/H185/H249
- 2 marking jigs for front stabiliser H185/H249

	Art.-no.	PU
H63	F146101010	513
H89/H121/H185/H249	F146100545	513



PUNCHING TOOL

Punching tool for Vionaro front stabiliser.

	Art.-no.	PU
	F146116216	299



PUNCHING TOOL

Punching tool for Vionaro bottom spike.

	Art.-no.	PU
	F146116217	299

PAGE REFERENCES

Drawer sides	11
Slides	28
Inset panels	34

Divider railing	42
Steel back panels	44
Sensomatic	55

Assembly technology	72
Packaging code	83

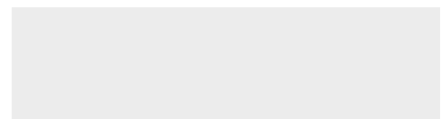
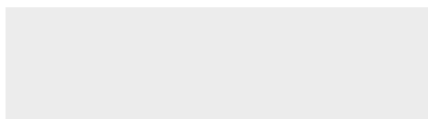
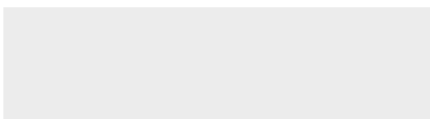


PUNCHING TOOL

Punching tool for Vionaro front holder with press-fit dowel.

	Art.-no.	PU
H63	F146117976	299
H89/H121/H185/H249	F146116213	299

LEGEND



ASSEMBLY AIDS

Dynapro

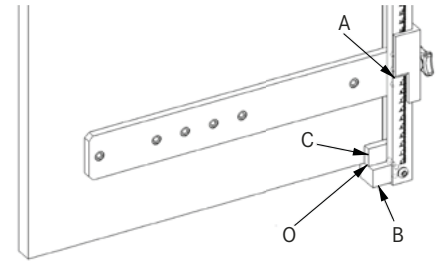


DRILLING JIG FOR CABINET MEMBER

One set includes:

- Guide rule (1x)
- Marking elements (4x)
- Stop plates B + C (1 each)

A. Reading edge = centre of holes
 B. Stop plate for loose cabinet parts
 C. Stop plate for assembled cabinet
 O. Zero scale position



	Art.-no.	PU
	F146094730	501



INDIVIDUAL MARKING ELEMENT

For extending the drilling jig
 for cabinet member F146094730

	Art.-no.	PU
	F146094721	299



DRILLING JIG FOR CABINET MEMBER

For use with pilot drill bit F146035692

	Art.-no.	PU
	F146101348	507



EURO SCREW

	Art.-no.	PU
Ø 6.3 x 14 mm Screw head Ø 7 mm	F148115049	147

PAGE REFERENCES

Drawer sides	11
Slides	28
Inset panels	34

Divider railing	42
Steel back panels	44
Sensomatic	55

Assembly technology	72
Packaging code	83



SCREWDRIVER

GRASS cross head screwdriver
(Pozidriv No. 2)

	Art.-no.	PU
	F147010256	001



PILOT DRILL BIT

The pilot drill bit is used for pre-drilling
holes for countersunk chipboard screws
Ø 3.5 mm

	Art.-no.	PU
Pilot drill bit	F146035692	299
Spare drill bit Ø 2.7 mm	F146090561	299



WOOD DRILL BIT Ø 5 MM WITH STOP RING

Use for pre-drilling holes
for Euro screws.

- Ø 5 mm
- Length 75 mm
- with stop ring

	Art.-no.	PU
	F146092594	501

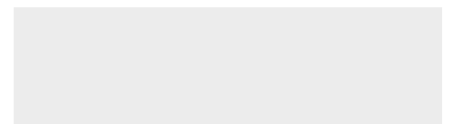
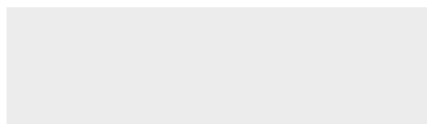
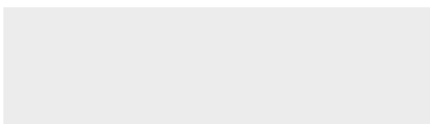


DRILLING JIG FOR SENSOMATIC

For pre-drilling the holes for fixing brackets
at the assembled cabinet or loose bottom
or top panel, for the Sensomatic system

	Art.-no.	PU
	F146109850	299

LEGEND





GRASS GmbH
Movement Systems
Grass Platz 1
6973 Höchst, Austria
Phone: +43 (0) 5578 701-0
Fax: +43 (0) 5578 701-59
E-mail: info@grass.eu

Your contact:



vionaro.com

handle.com

Article number

F123456789 201

Type of packaging

Packaging unit

TYPE OF PACKAGING

Code	Explanation
1	PE (bag, film or band)
2	Cardboard box
3	Reusable packaging (cardboard)
4	Reusable packaging (different containers)
5	PE (bag, film or band) in cardboard box
6	Cardboard box in cardboard box
7	Cardboard box in various containers
8	PE (bag, film or band) in different containers

PACKAGING UNIT

Code	Unit	Code	Unit	Code	Unit
01	01	23	100	45	800
02	02	24	120	46	900
03	04	25	125	47	1000
04	05	26	136	48	1100
05	06	27	140	49	1200
06	08	28	150	50	1500
07	10	29	170	51	2000
08	12	30	175	52	2200
09	14	31	180	53	2500
10	15	32	190	54	3000
11	20	33	200	55	4000
12	24	34	225	56	5000
13	25	35	240	57	6000
14	30	36	250	58	7000
15	35	37	275	59	8000
16	40	38	300	60	9000
17	50	39	400	61	10000
18	60	40	500	62	15000
19	70	41	550	63	20000
20	75	42	600	64	30000
21	80	43	700	99	X
22	85	44	750		

QUICK OVERVIEW

Packaging code	Explanation
107	10 units in PE (bag, film or band)
123	100 units in PE (bag, film or band)
147	1000 units in PE (bag, film or band)
201	1 unit in a cardboard box
204	5 units in a cardboard box
207	10 units in a cardboard box
208	12 units in a cardboard box
209	14 units in a cardboard box
210	15 units in a cardboard box
211	20 units in a cardboard box
212	24 units in a cardboard box
213	25 units in a cardboard box
216	40 units in a cardboard box
223	100 units in a cardboard box
233	200 units in a cardboard box
239	400 units in a cardboard box
247	1000 units in a cardboard box
299	X units in a cardboard box
501	1 unit in PE (bag, film or band) in a cardboard box
507	10 units in PE (bag, film or band) in a cardboard box
513	25 units in PE (bag, film or band) in a cardboard box
517	50 units in PE (bag, film or band) in a cardboard box
533	200 units in PE (bag, film or band) in a cardboard box
607	10 units in a cardboard box in a cardboard box

TERMS

Designation	Explanation
Unit	X single items/sets in specific packaging
Single item	X parts of one type (e.g. installation hooks only)
Set	X parts of different types (e.g. railing, railing bracket (front/back) and cover cap, one of each left/right)