

G* GRASS®

**QUATURIS CORNER CABINET SYSTEMS AND
CABINET SUSPENSION FITTINGS**

Intelligent solutions for more storage space.
Ergonomic, versatile and functional.





Each corner is a curve.

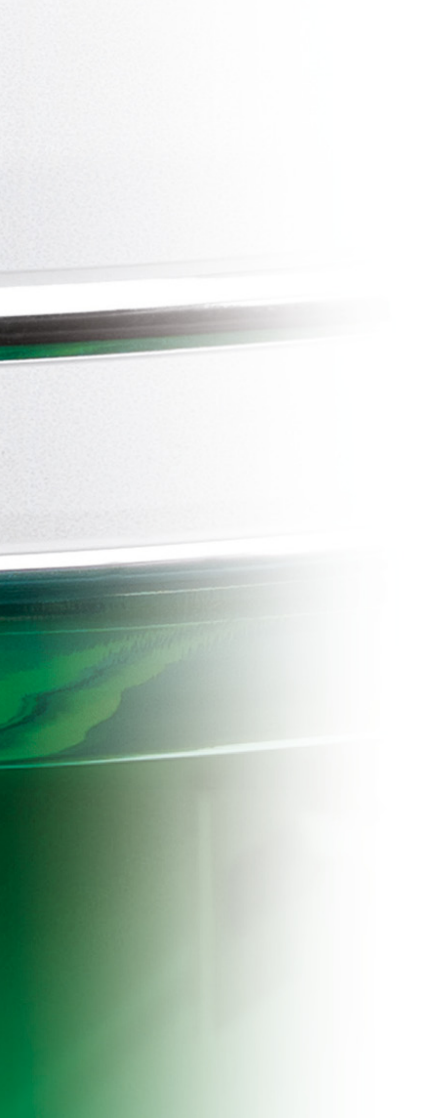


With the Quaturis S GRASS supplies a convenient movement solution for standard corner base cabinets.

With Quaturis S, a special swivel mechanism ensures that the ergonomically shaped shelves swing almost completely out of the corner cabinet, offering optimum access to the entire storage area. The fact that the lowest shelf automatically starts moving when the door is opened is not just pleasing to watch, but it also brings all the stored items into view. The shelf can now be loaded and unloaded with ease. The closing mechanism is also particularly convenient as all the shelves retract back into the cabinet at a touch.

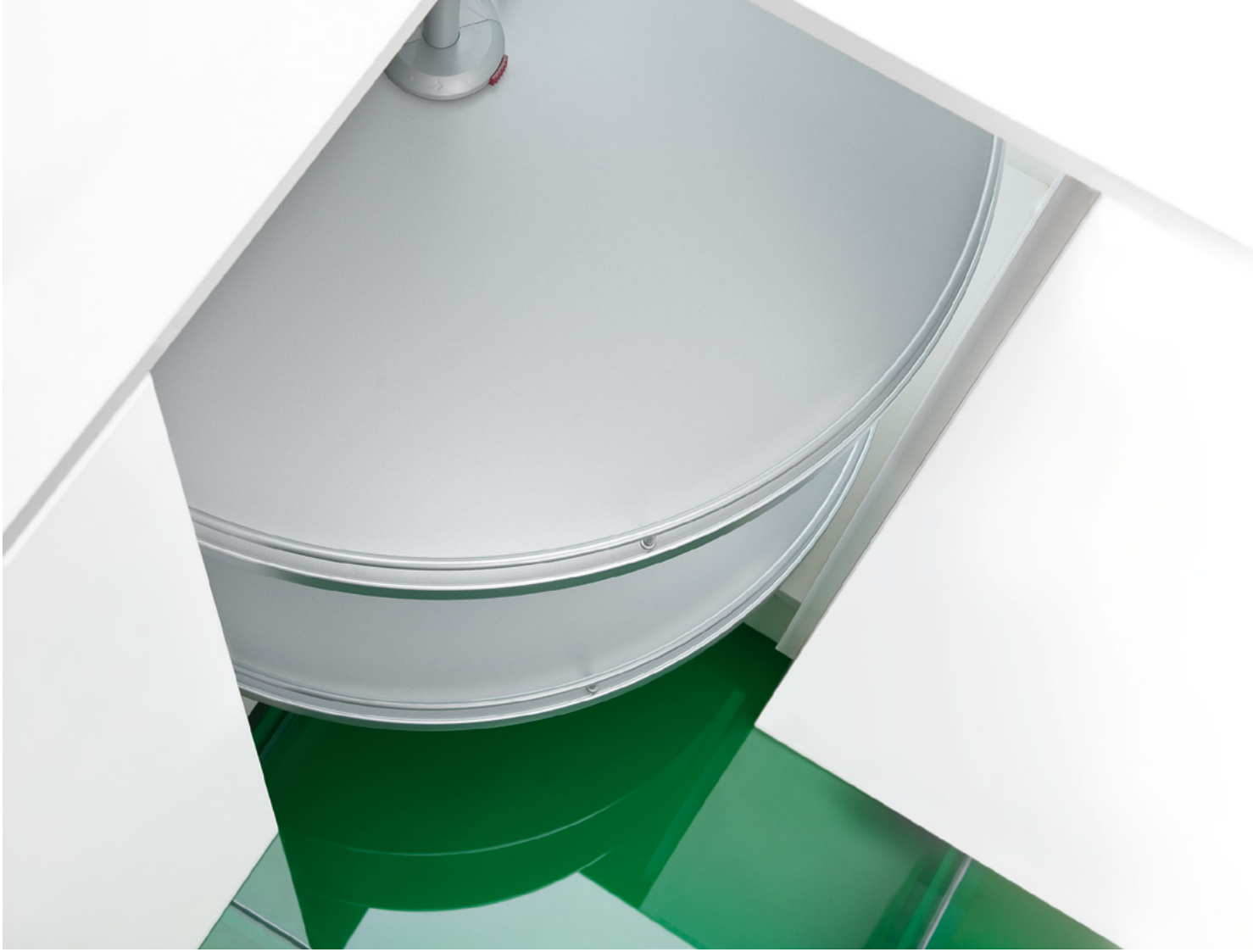
Naturally, gently damped by Soft-close.

handlie.com



QUATURIS CORNER CABINET SYSTEMS





The right corner cabinet system turns a dead corner into the perfect storage space.

In times past you had to get down on your knees to reach the contents of base corner cabinets. With our Quaturis systems, that has all changed. Quaturis corner cabinet solutions always turn and swivel the stored items into the ergonomically optimum position so that pots and pans are accessible at the front of the base unit.



[handleie.com](https://www.handleie.com)

Making optimum use of storage space is one of the greatest challenges in modern furniture design. Particularly so when it comes to perfect organisation in the kitchen. And what nobody realises: corner areas hold the greatest potential.

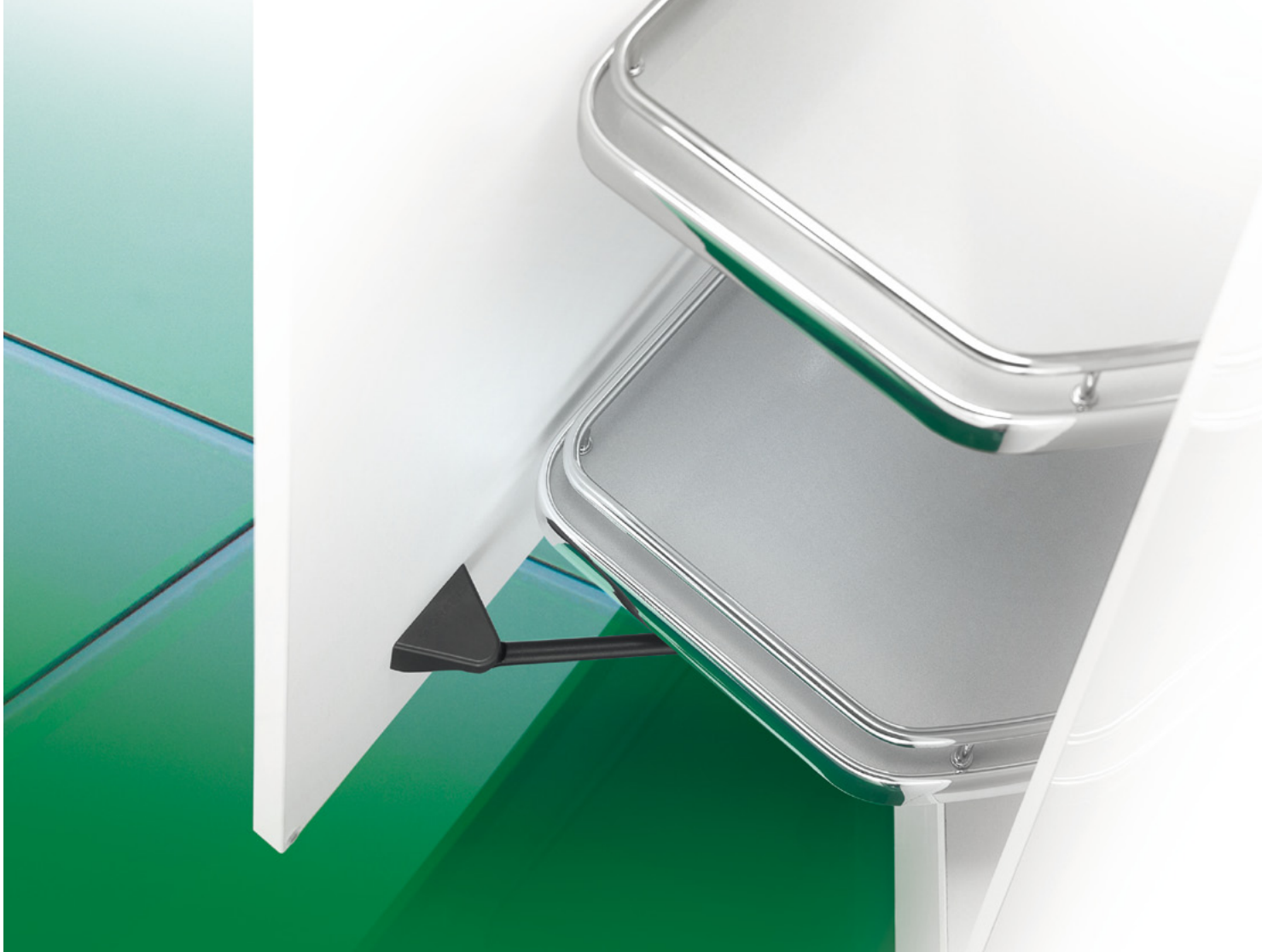
QUATURIS CORNER CABINET SYSTEMS

With Quaturis we are squaring the circle. This is not advanced mathematics, but a fundamental principle for comfortable corner cabinet systems.



Innovation means being ahead of the times. With Quaturis, GRASS offers today what will be in demand tomorrow: functional and, above all, comfortable corner cabinet solutions for the most exacting demands. The product range comprises numerous corner solutions with semi-circular and circular shelves in wood or plastic. All components are perfectly matched and can be individually combined to meet the respective requirement. Furthermore, the closing process is particularly convenient because the Soft-close damping system gently slows the movement of the front and pulls it to the fully closed position.

These special characteristics make Quaturis a highly convenient functional system for the modern kitchen.



QUATURIS CORNER CABINET SYSTEMS

GRASS corner cabinet systems with maximum versatility and convenience.



Quaturis S – The convenient movement system for standard corner cabinets.


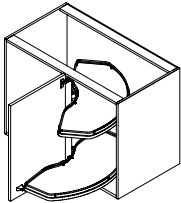

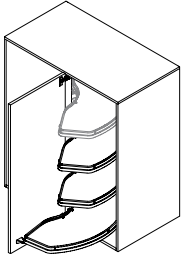

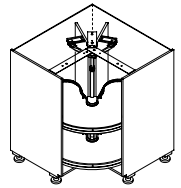
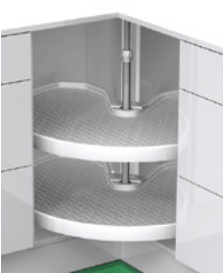
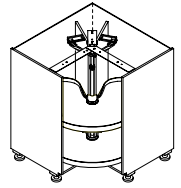
The special swivel mechanism ensures that the ergonomically shaped shelves swing almost completely out of the corner cabinet, offering optimum access to the entire storage area. The fact that the lowest shelf automatically starts moving when the door is opened is not just pretty to watch, it also brings all the stored items into view. The shelf can now be loaded and unloaded with great ease. In addition, the closing mechanism is particularly convenient because all the shelves retract back into the cabinet when the door is closed.

Quaturis 75 – Functional and variable corner cabinet solutions for discerning demands

Quaturis 75 makes it easy for everybody. Doors close gently and elegantly with the unique Quaturis 75 closing damper, which can be adjusted for the weight of the door and the weight of shelves and stored items. Even with fully loaded shelves, optimum functionality is guaranteed. Furthermore, with its adjustable telescopic tube, the Quaturis 75 is suitable for all common cabinet and worktop heights. Quaturis 75 is the basic fitting for both 80 cm and 90 cm wide corner cabinets. It is also suitable for a wide range of door openings and fits with all common shelves.

CORNER CABINET SYSTEMS

Intelligent corner cabinet solutions for more storage space.
Efficient. Variable. Functional.

	Product description		Page
	<p>Quaturis S corner cabinet solutions for standard base cabinets</p> <ul style="list-style-type: none"> • With wooden shelves • Premium functional fitting for standard corner cabinets • For internal cabinet heights of 600 - 900 mm (2 shelves) • For cabinet widths of 900, 1000 and 1200 mm • Suitable from 490 mm internal depth • Use with standard and blind corner hinges • Also suitable for handle-free kitchen furniture 		8
	<p>Quaturis S corner cabinet solutions for standard tall cabinets</p> <ul style="list-style-type: none"> • With wooden shelves • Premium functional fitting for standard corner cabinets • For internal cabinet heights of 900 - 1200 mm (3 shelves) and 1200 - 1500 mm (4 shelves) • For cabinet widths of 900, 1000 and 1200 mm • Suitable from 490 mm internal depth • Use with standard and blind corner hinges • Also suitable for handle-free kitchen furniture 		10
	<p>Quaturis 75 for 90° corner cabinet solutions with wood shelves</p> <ul style="list-style-type: none"> • Pie-cut corner cabinet fitting for 90° corner cabinet solutions • Individual vertical adjustment of shelves for different cabinet heights • Uniform door application with optimum stability for standard and frame doors • Three-dimensional door reveal adjustment (height, sides, depth) 		16
	<p>Quaturis 75 for 90° corner cabinet solutions with plastic shelves</p> <ul style="list-style-type: none"> • Pie-cut corner cabinet fitting for 90° corner cabinet solutions • Individual vertical adjustment of shelves for different cabinet heights • Uniform door application with optimum stability for standard and frame doors • Three-dimensional door reveal adjustment (height, sides, depth) 		16

	Technical information Quaturis S	14
	Technical information Quaturis 75	18
	Assembly aids	21
	Cabinet suspension fittings	23

QUATURIS S

Corner cabinet solutions for standard base cabinets



- Premium functional fitting for standard corner cabinets; widths 900 mm, 1000 mm and 1200 mm
- Suitable from 490 mm internal depth (standard hinge)
- For internal cabinet heights of 600 - 900 mm (2 shelves)
- Use with standard and blind corner hinges possible (overlay, inset)
- Also suitable for handle-free kitchen furniture
- Shelves swing almost completely out of the corner cabinet
- Excellent access to the entire storage area
- Integrated closing damper and self-retracting function
- Wooden shelves can carry 20 kg each
- Shelves with tool-free quick assembly, stepless height adjustment
- Wooden shelves, 16 mm board, grey, with anti-slip surface

ORDER INFORMATION

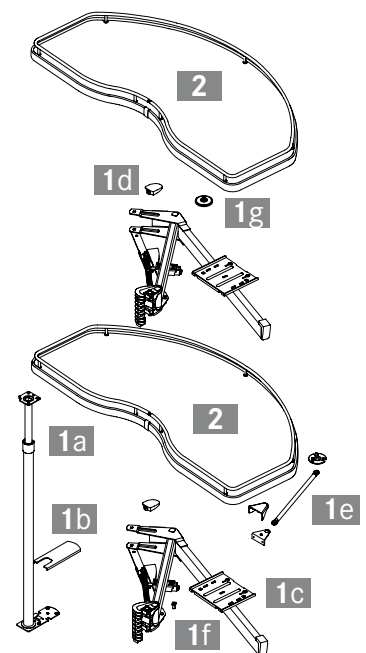
1 Quaturis S corner cabinet fitting set comprising items 1a (1x), 1b (1x), 1c (2x), 1d (2x), 1e (1x), 1f (1x), 1g (1x)			
KB	TYP	Application	Item No.
900	450	Left	F154147594
		Right	F154147595
1000	500	Left	F154147594
		Right	F154147595
1200	600	Left	F154147594
		Right	F154147595

2 Quaturis S shelf set consisting of items 2 (2x)			
KB	TYP	Application	Item No.
900	450	Left	F154145363
		Right	F154145364
1000	500	left/right	F154145365
		Left	F154145366
1200	600	Right	F154145367

- 1 set includes:
- 1a Telescopic tube and screw-on plates top and bottom (1x)
 - 1b Cover cap for screw-on plate, bottom (1x)
 - 1c Swing mechanism with clamping elements, self-retracting function and damper (2x)
 - 1d Cover caps for clamping element (2x)
 - 1e Connecting arm complete with screw-on elements and cover cap for screw-on bracket (1x)
 - 1f Opening angle reduction clip (1x)
 - 1g Guide disc including running socket with pre-fitted Euro screw (1x)
- Installation instructions, drilling templates and securing screws

- 2 Wooden shelf, grey with chrome railing and anti-slip surface (2x)

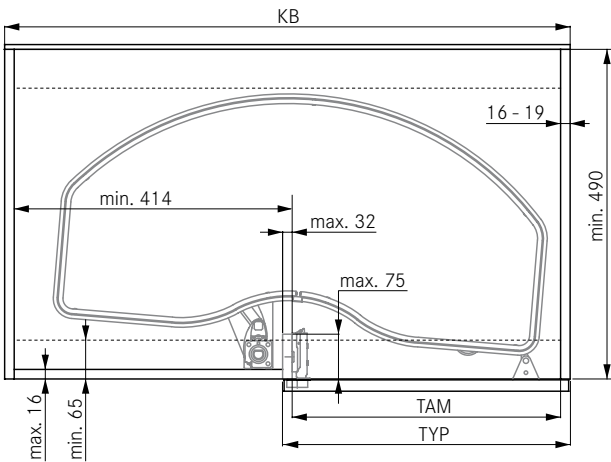
Note: Please order hinges separately!



Planning dimensions, blind corner hinge	12	Assembly aids	21		
Technical information	14				

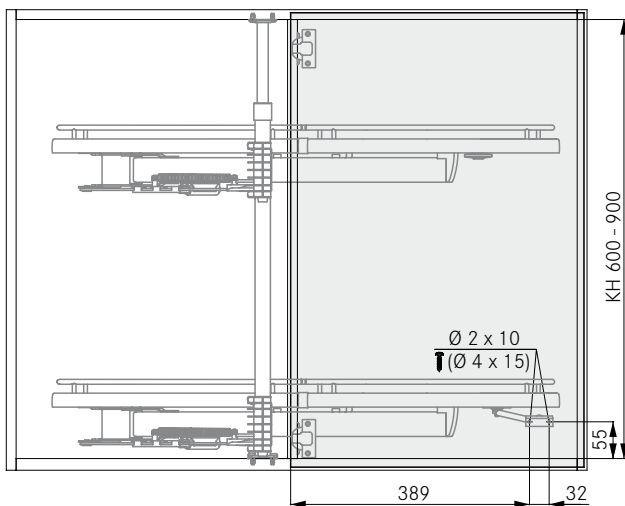
PLANNING DIMENSIONS FOR 110° STANDARD HINGE

Space requirement (drawing shows l/h application)

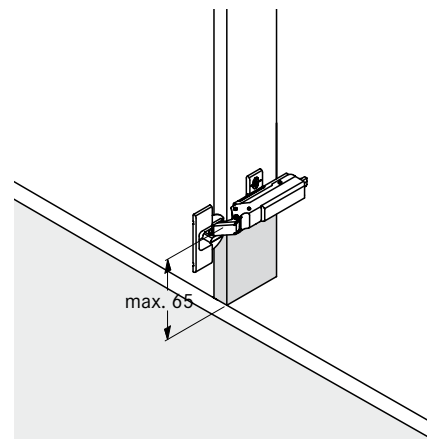


TYP	KB	TAM
450	min. 870	412-418
500	min. 920	462-468
600	min. 1020	562-568

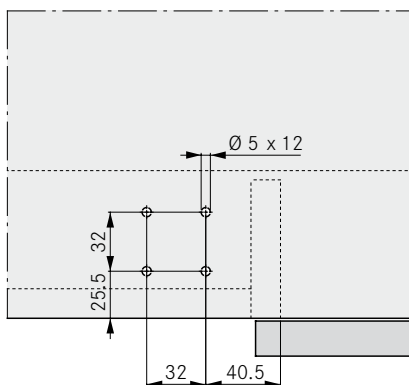
Door installation (drawing shows l/h application)



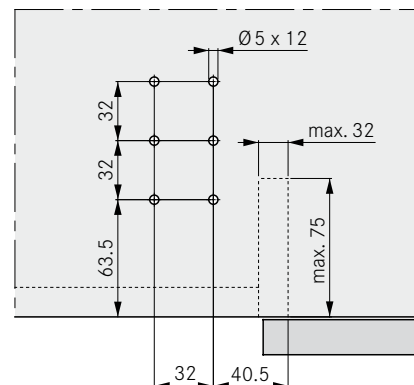
Hinge mounting



Top fixing of cross bar (drawing shows l/h application)



Fixing to cabinet base (drawing shows l/h application)



Important! Drill holes at top and in cabinet base before assembly! Fixing with Euro collar screws Ø 6.3 x 10.5

LEGEND

- KB Cabinet width
- KH Cabinet height
- TAM Door cut-out dimension
- TYP Planning dimension

QUATURIS S

Corner cabinet solutions for standard tall cabinets



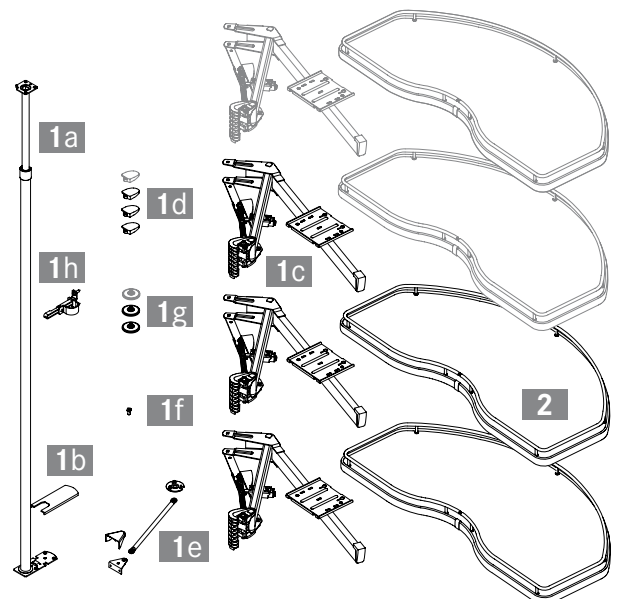
- Premium functional fitting for standard corner cabinets; widths 900 mm, 1000 mm and 1200 mm
- Suitable from 490 mm internal depth (standard hinge)
- For internal cabinet heights of 900 - 1200 mm (3 shelves) and 1200 - 1500 mm (4 shelves)
- Use with standard and blind corner hinges possible (overlay, inset)
- Also suitable for handle-free kitchen furniture
- Shelves swing almost completely out of the corner cabinet
- Excellent access to the entire storage area
- Integrated closing damper and self-retracting function
- Wooden shelves can carry 20 kg each
- Shelves with tool-free quick assembly, stepless height adjustment
- Wooden shelves, 16 mm board, grey, with anti-slip surface

ORDER INFORMATION

1 Quaturis S corner cabinet fitting set consisting of: KH 900 - 1200 mm: Item 1a (1x), 1b (1x), 1c (3x), 1d (3x), 1e (1x), 1f (1x), 1g (2x), 1h (1x) KH 1200 - 1500 mm: Item 1a (1x), 1b (1x), 1c (4x), 1d (4x), 1e (1x), 1f (1x), 1g (3x), 1h (1x)					
KB	TYP	Application	Item No.		
			KH 900 - 1200	KH 1200 - 1500	
900	450	Left	F154148027	F154148029	
		Right	F154148028	F154148030	
1000	500	Left	F154148027	F154148029	
		Right	F154148028	F154148030	
1200	600	Left	F154148027	F154148029	
		Right	F154148028	F154148030	

2 Quaturis S shelf set consisting of items 2 (2x) suitable for KH 900 - 1200 mm and KH 1200 - 1500 mm					
KB	TYP	Application	Item No.		
			900	450	Left
Right	F154145364				
1000	500	left/right	F154145365		
		Left	F154145366		
1200	600	Right	F154145367		

- 1** 1 set includes:
- 1a** Telescopic tube and screw-on plates top and bottom (1x)
 - 1b** Cover cap for screw-on plate, bottom (1x)
 - 1c** Swing mechanism with clamping elements, self-retracting function and damper (3x or 4x)
 - 1d** Cover caps for clamping element (3x or 4x)
 - 1e** Connecting arm complete with screw-on elements and cover cap for screw-on bracket (1x)
 - 1f** Opening angle reduction clip (1x)
 - 1g** Guide disc including running socket with pre-fitted Euro screw (2x or 3x)
 - 1h** Bracket (1x)
- Installation instructions, drilling templates and securing screws
- 2** Wooden shelf, grey with chrome railing and anti-slip surface (2x)

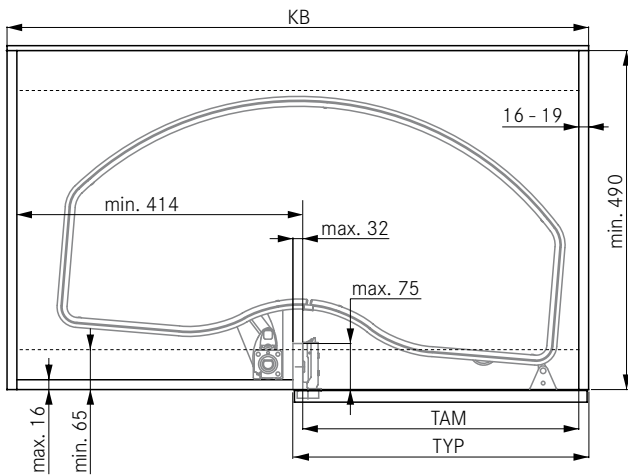


Note: Please order hinges separately!

Planning dimensions, blind corner hinge	12	Assembly aids	21		
Technical information	14				

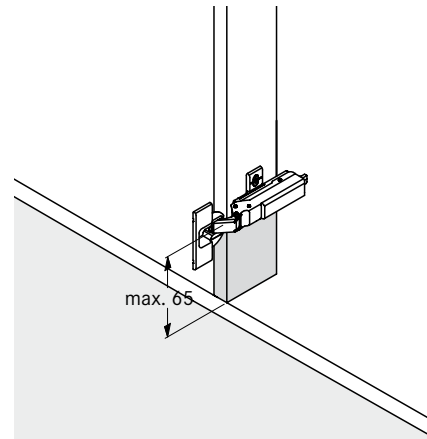
PLANNING DIMENSIONS FOR 110° STANDARD HINGE

Space requirement (drawing shows l/h application)

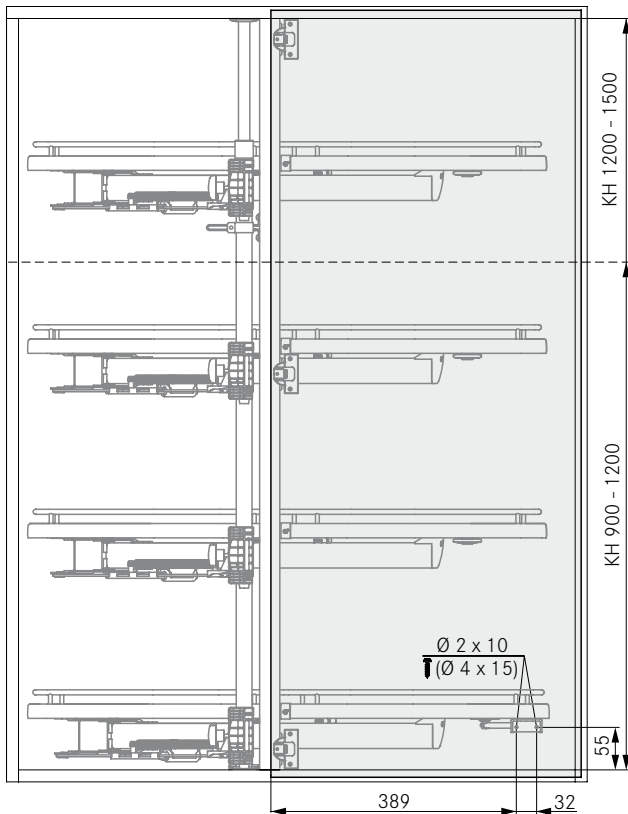


TYP	KB	TAM
450	min. 870	412-418
500	min. 920	462-468
600	min. 1020	562-568

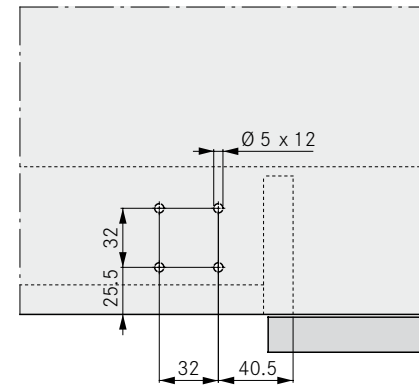
Hinge mounting



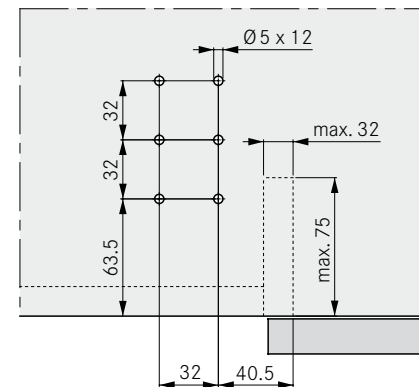
Door installation (drawing shows l/h application)



Top fixing of cross bar (drawing shows l/h application)



Fixing to cabinet base (drawing shows l/h application)



Important! Drill the holes in the cabinet base and the top before assembly! Fixing with Euro collar screw Ø 6.3 x 10.5

LEGEND

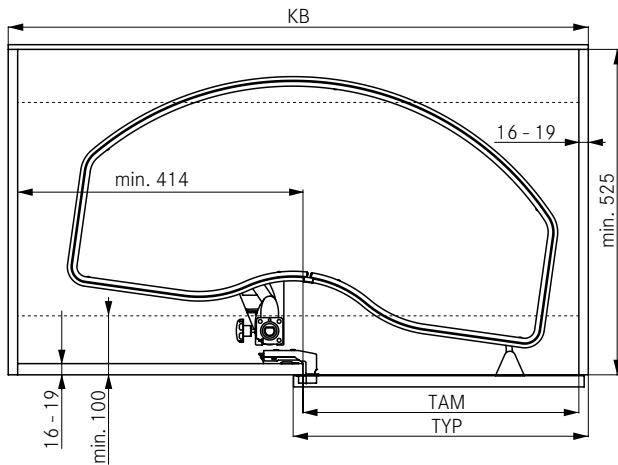
- KB Cabinet width
- KH Cabinet height
- TAM Door cut-out dimension
- TYP Planning dimension

QUATURIS S

Corner cabinet solutions for standard base/tall cabinets

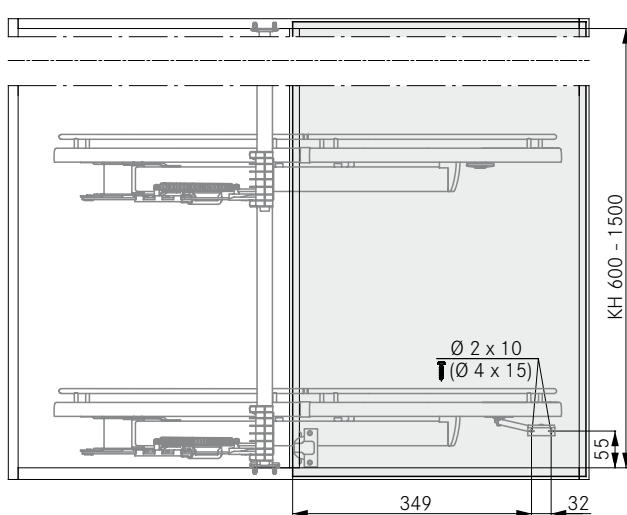
PLANNING DIMENSIONS FOR 110°/90A BLIND CORNER HINGE (OVERLAY)

Space requirement (drawing shows l/h application)

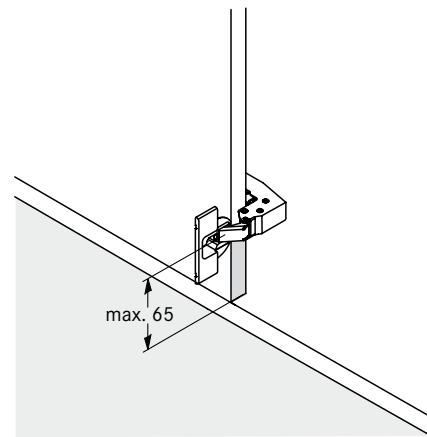


TYP	KB	TAM
450	min. 880	412-424
500	min. 930	462-474
600	min. 1030	562-574

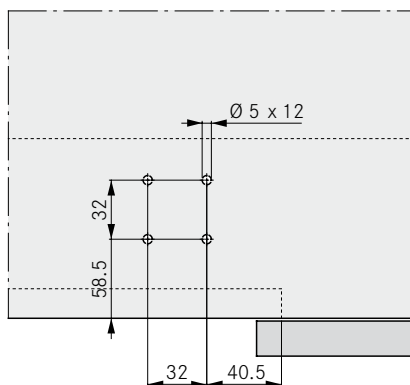
Door installation (drawing shows l/h application)



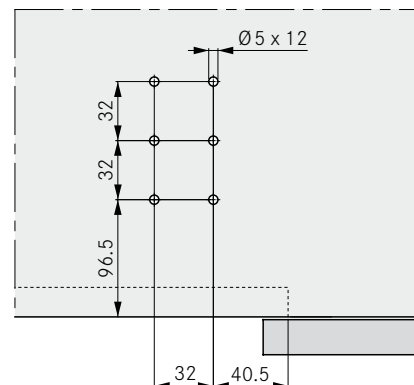
Hinge mounting



Top fixing of cross bar (drawing shows l/h application)



Fixing to cabinet base (drawing shows l/h application)



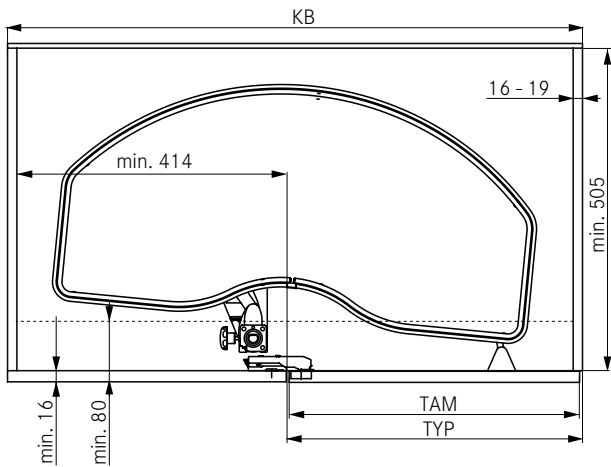
Important! Drill the holes in the cabinet base and the top before assembly! Fixing with Euro collar screw $\text{Ø } 6.3 \times 10.5$

LEGEND

- KB Cabinet width
- KH Cabinet height
- TAM Door cut-out dimension
- TYP Planning dimension

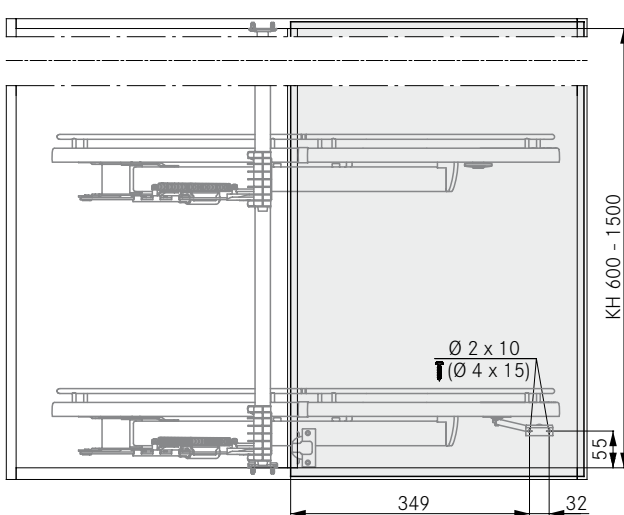
PLANNING DIMENSIONS FOR 110°/90E BLIND CORNER HINGE (INSET)

Space requirement (drawing shows l/h application)

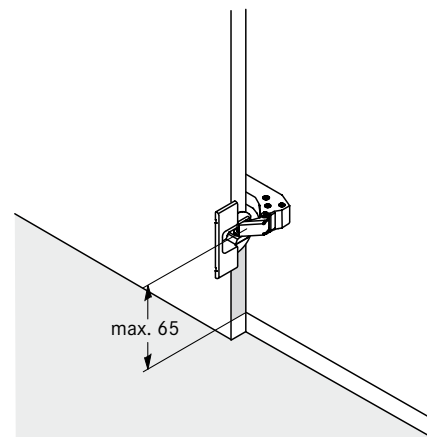


TYP	KB	TAM
450	min. 890	426-442
500	min. 940	476-492
600	min. 1040	576-592

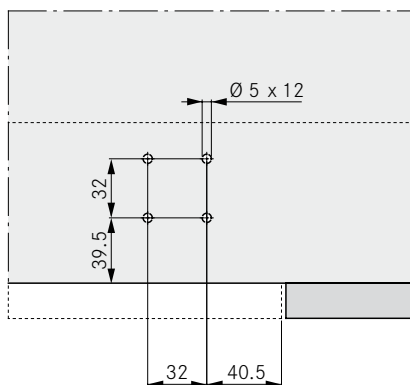
Door installation (drawing shows l/h application)



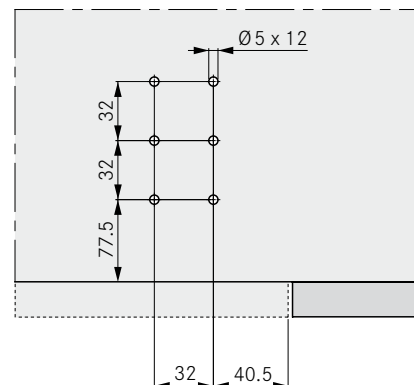
Hinge mounting



Top fixing of cross bar (drawing shows l/h application)



Fixing to cabinet base (drawing shows l/h application)



Important! Drill the holes in the cabinet base and the top before assembly! Fixing with Euro collar screw $\text{Ø } 6.3 \times 10.5$

LEGEND

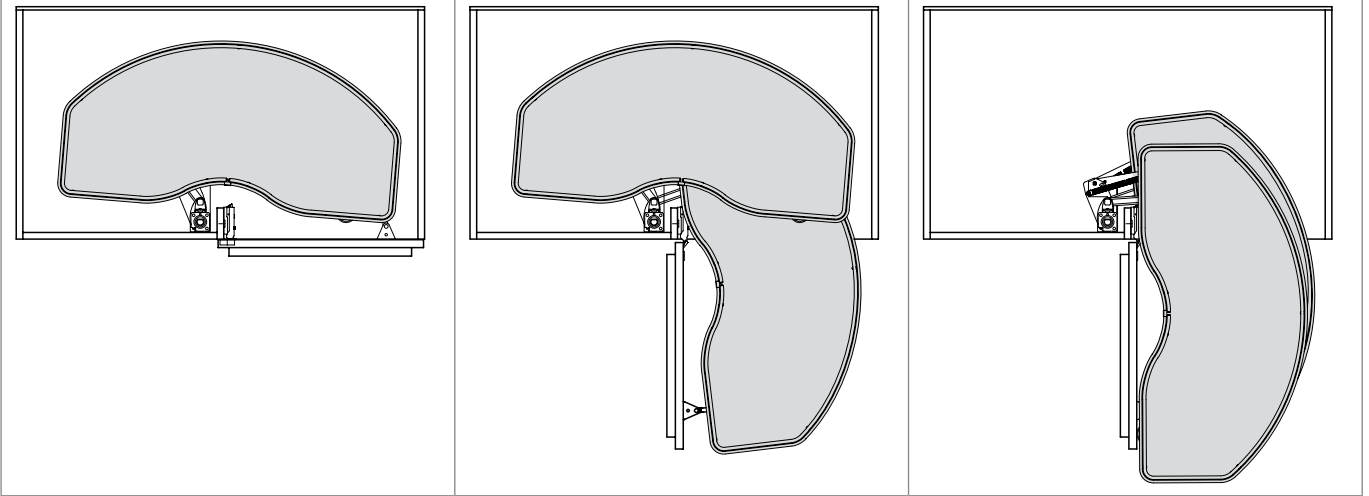
- KB Cabinet width
- KH Cabinet height
- TAM Door cut-out dimension
- TYP Planning dimension

QUATURIS S

Technical information

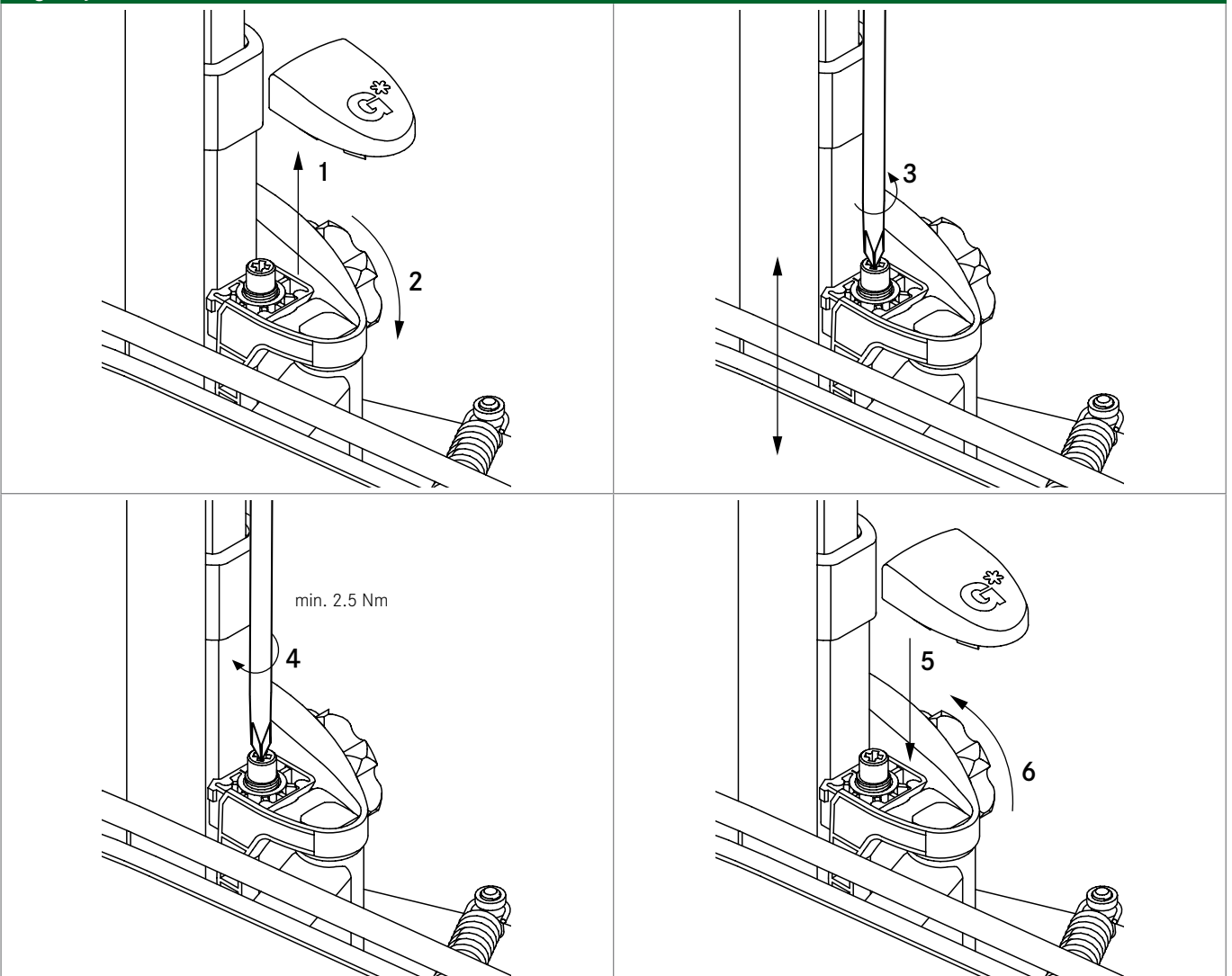
MOVEMENT SEQUENCE

Shelves



ADJUSTMENTS

Height adjustment

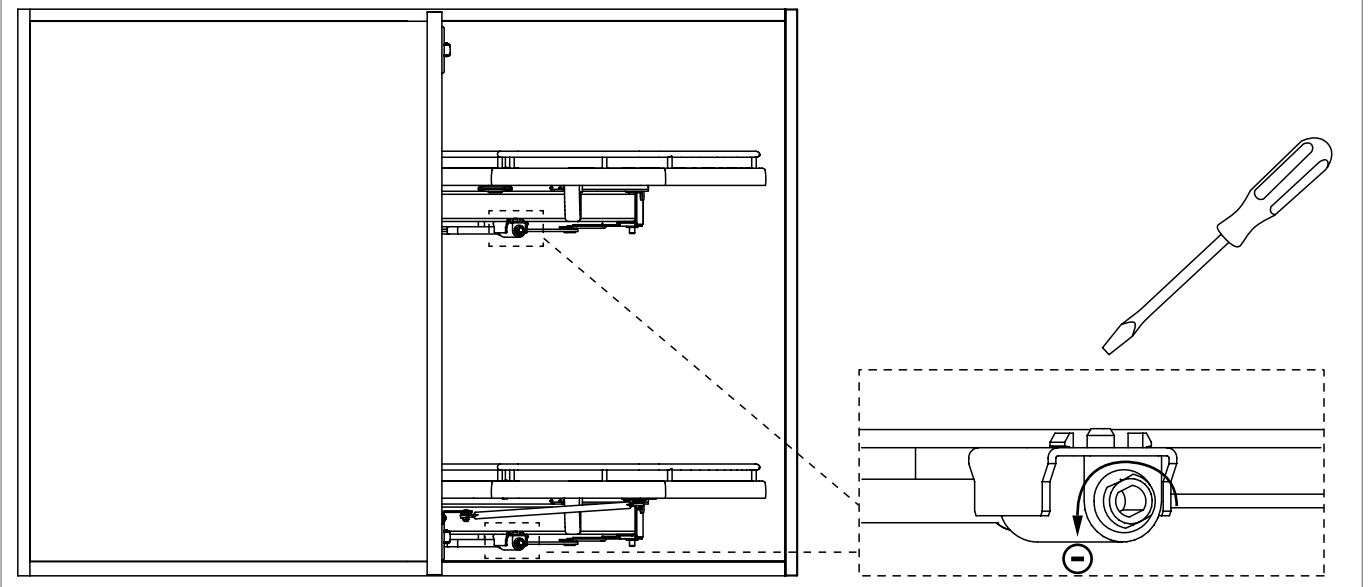


Quaturis S

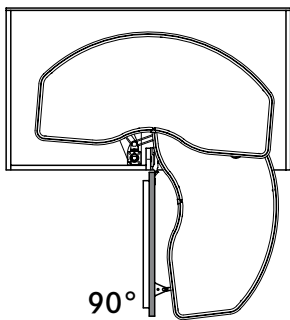
8

ADJUSTMENTS

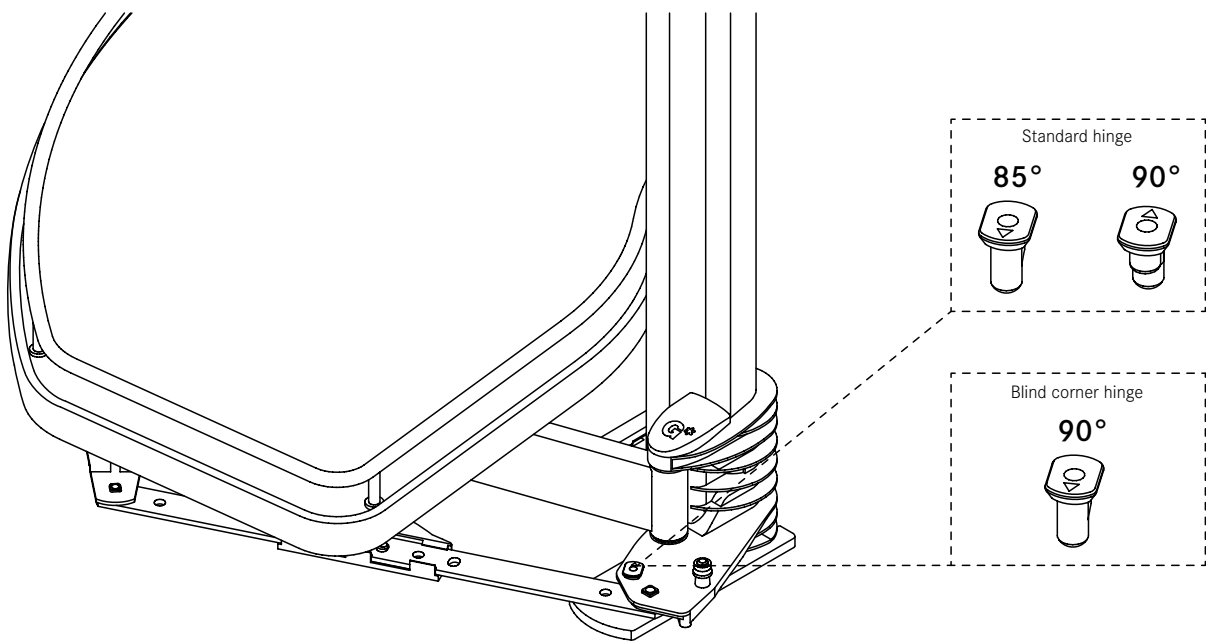
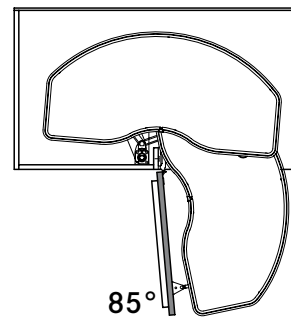
Adjusting the shelf self-retracting damper



Adjusting the opening angle to 90°



Adjusting the opening angle to 85°



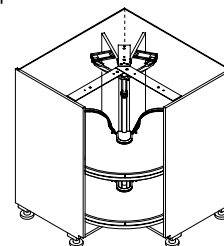
QUATURIS 75

For 90° corner cabinet solutions (with wooden and plastic shelves)

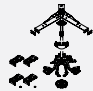




- Individual vertical adjustment of shelves for different cabinet heights
- Uniform door application with optimum stability for standard and frame doors
- Perfect reveal alignment through three-dimensional door adjustment (height, sides, depth)
- Integrated door lowering mechanism allows small reveals between door and worktop
- Outstanding movement and closing process with integrated, individually adjustable closing damper
- Easy straightforward installation

- Maintenance-free
- ¾ circular shelves made of wood, with chrome railing, 16 mm board, grey
- ¾ circular shelves made of plastic, polystyrene grey
- Anti-slip surface



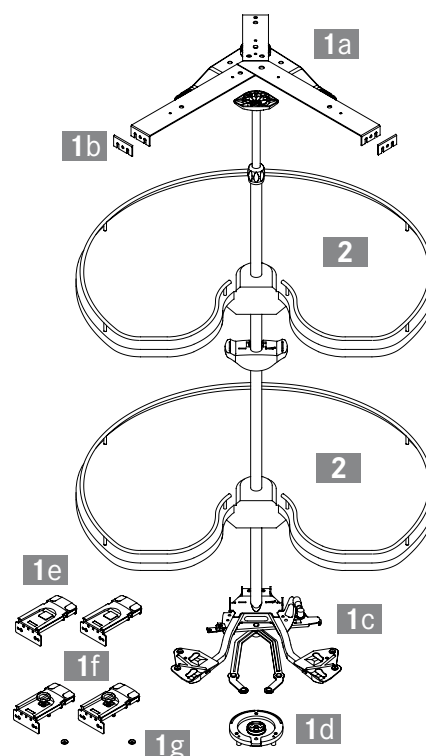
ORDER INFORMATION

1 Quaturis 75 pie-cut corner cabinet fitting set consisting of items 1a (1x), 1b (2x), 1c (1x), 1d (1x), 1e (2x), 1f (2x), 1g (2x)						
KB	LHK	TAM	Set	LTK	Item No.	
800	690 - 910	240	1	500	F154.147590	
		250	2	510	F154.147591	
		340	3	515	F154.147592	
350		4	525	F154.147593		
900						

2 Quaturis 75 wood and plastic shelf set, consisting of items 2 (2x)					
KB	Wooden shelf set	Plastic shelf set			
800	F154.147355	F154.145810			
900	F154.145804	F154.145814			

- 1 1 set includes:
- 1a Bearing cross with top door bearing fitted at factory (1x)
 - 1b Spacer plates (DP): 1 mm for 18 mm side wall thickness (2x)
3 mm for 16 mm side wall thickness (2x)
 - 1c Base fitting with telescopic tube and shelf bearers (1x)
 - 1d Curve disc (1x)
 - 1e Top door brackets (2x)
 - 1f Bottom door brackets (2x)
 - 1g Transport protection caps (2x)
- Installation instructions and drilling templates (1x)

- 2 Wooden shelf with chrome railing (2 x) or plastic shelf, grey (2x), with anti-slip surface



Technical information	18				
Assembly aids	21				

INSTALLATION INFORMATION

Required space							Door installation											
Set	KB	S	TAM	LTK	LWK	TS	F1	F2	FB1	FB2	KH	Z						
Set 1	800	16	240	500	740-S	16-22	2-4	2-7	230	236-TS-F1	FH+F2+KUB+11	63						
		18																
		19																
Set 2	800	16	250	510	760-S				16-22	2-4		2-7	240	246-TS-F1	FH+F2+KUB+11	73		
		18																
		19																
Set 3	900	16	340	515	855-S				16-22	2-4		2-7	330	336-TS-F1		FH+F2+KUB+11	172	
		18																
		19																
Set 4	900	16	350	525	875-S				16-22	2-4		2-7	340	346-TS-F1			FH+F2+KUB+11	182
		18																
		19																

Cabinet base fixing												Side fixing						
	Set 1			Set 2			Set 3			Set 4				Set 1	Set 2	Set 3	Set 4	
S	16	18	19	16	18	19	16	18	19	16	18	19		Y	100	90	100	90
X	363	361	360	373	371	370	422	420	419	432	430	429						

LEGEND

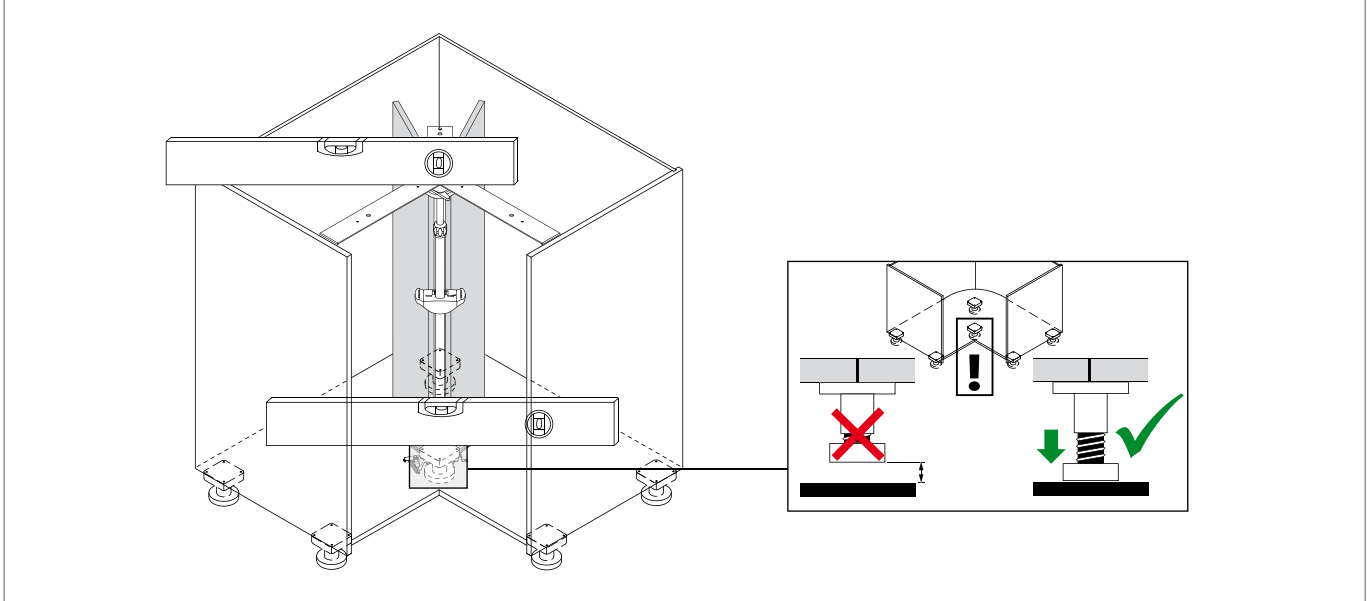
F	Reveal	KH	Cabinet height	LWK	Inside cabinet width
FB	Width of front	KUB	Cabinet base	S	Cabinet side wall
FH	Height of front	LHK	Inside cabinet height	TAM	Door cut-out dimension
KB	Cabinet width	LTK	Inside cabinet depth	TS	Door thickness

QUATURIS 75

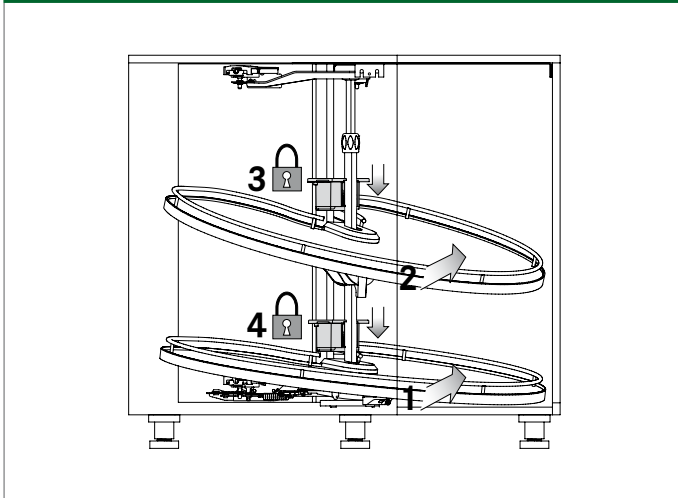
Technical information

INSTALLATION INSTRUCTIONS

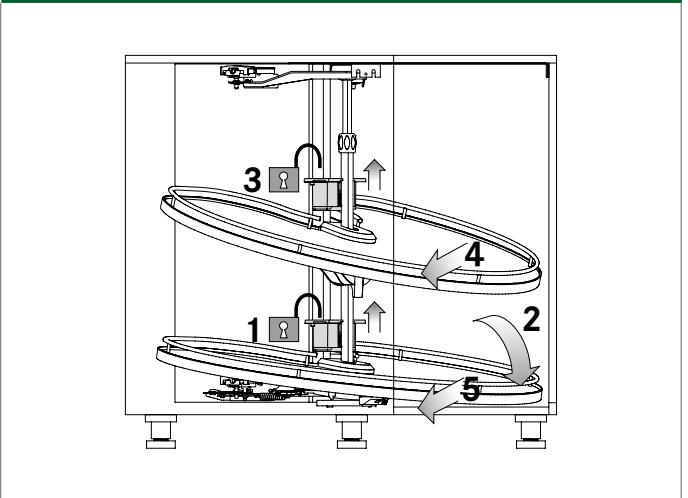
Height adjustment of 6th cabinet leg



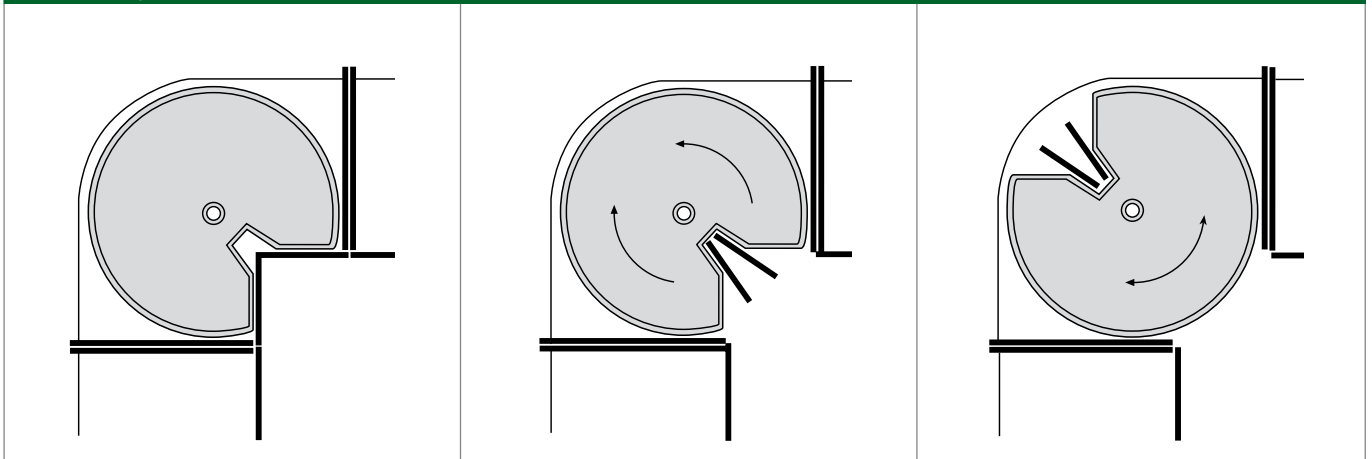
Inserting the shelves



Removing the shelves



Movement sequence

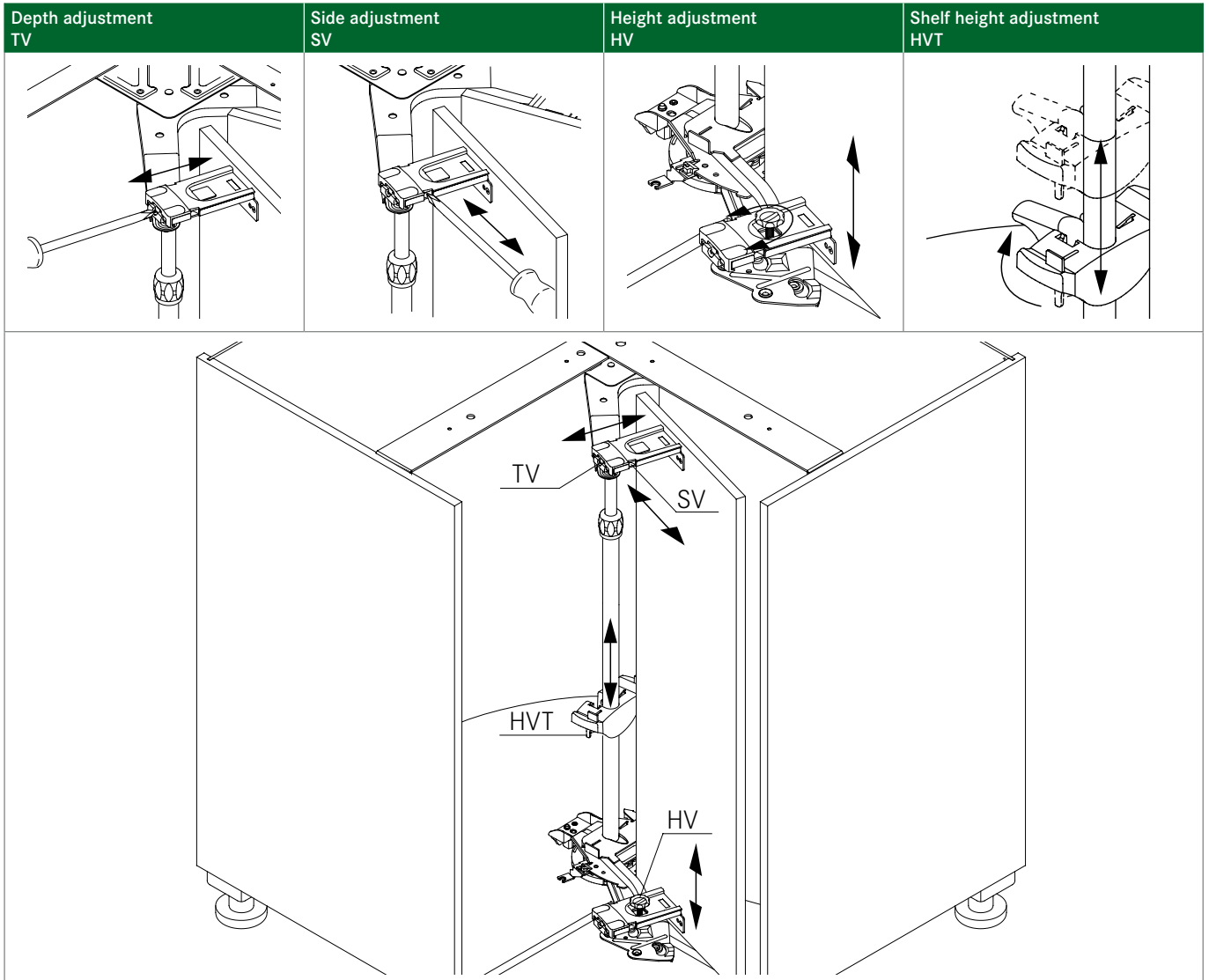


Quaturis 75 (with wooden shelves) 16

Quaturis 75 (with plastic shelves) 16



ADJUSTMENTS



LEGEND

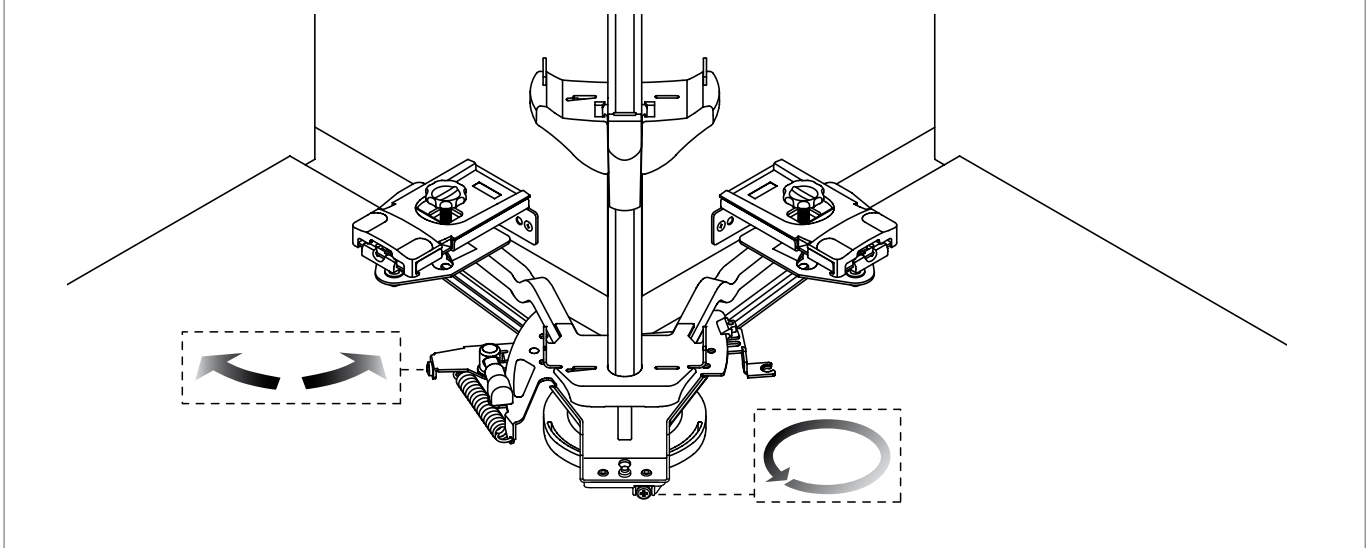
- HV Height adjustment
- HVT Shelf height adjustment
- SV Side adjustment
- TV Depth adjustment

QUATURIS 75

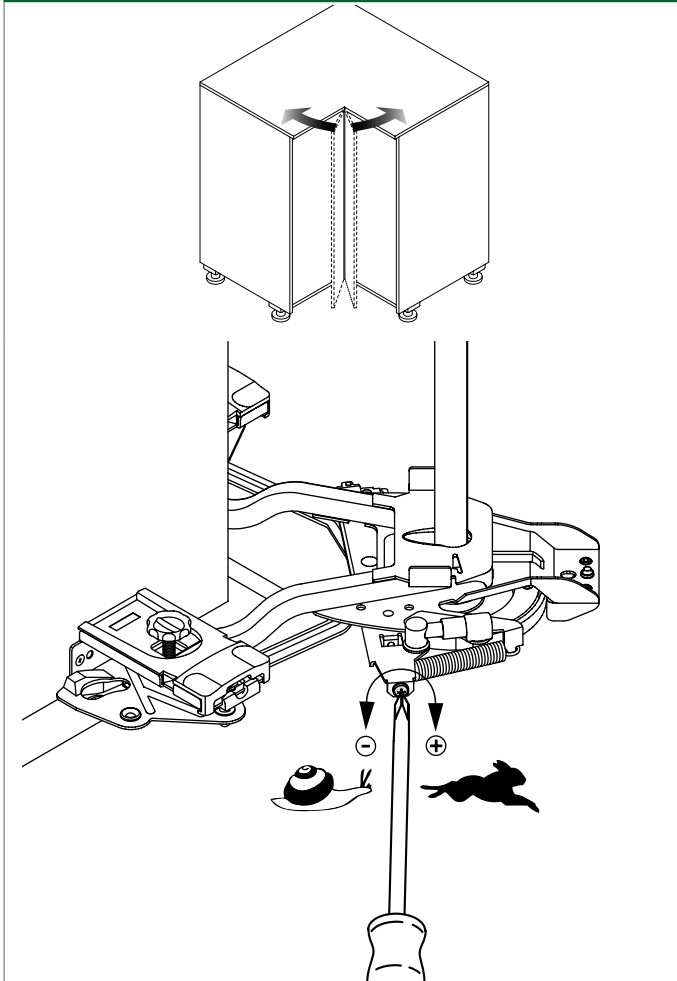
Technical information

ADJUSTMENTS

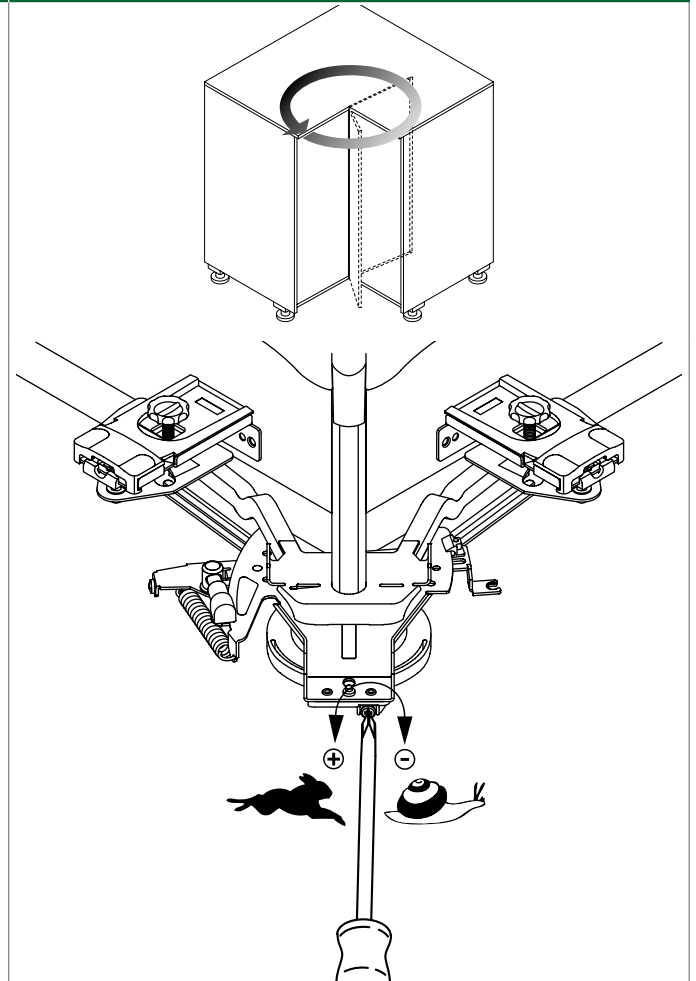
Adjusting damper and closing speed



Closing speed of door



Damping the turning movement



Quaturis 75 (with wooden shelves)	16
Quaturis 75 (with plastic shelves)	16

WOOD DRILL BIT Ø 5 MM WITH STOP RING



Use for pre-drilling holes for Euro screws.

- Ø 5 mm
- Length 75 mm
- with stop ring

	Item No.
	F146092594

PILOT DRILL BIT



The pilot drill bit is used for pre-drilling holes for countersunk chipboard screws Ø 3.5 mm.

	Item No.
Pilot drill bit	F146035692
Spare drill bit Ø 2.7	F146090561

SCREWDRIVER



GRASS cross head screwdriver (Pozidriv No. 2)

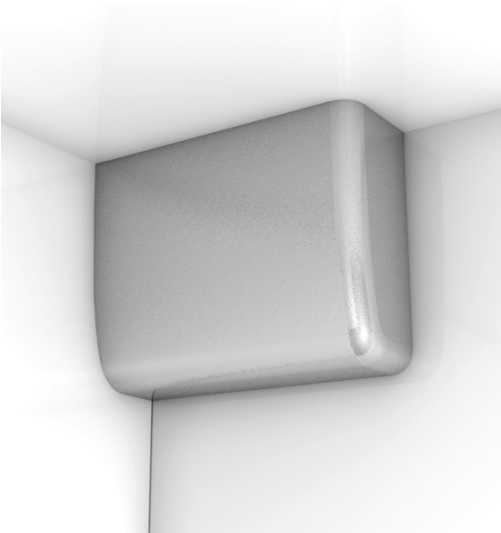
	Item No.
	F147010256

Quaturis	7
----------	---





CABINET SUSPENSION FITTINGS

Small components
with a huge effect.



CABINET SUSPENSION FITTINGS

Safe, heavy-duty fittings for top cabinet fixing.

	Product description	Page
	Cabinet suspension fitting SH-25	24
	Cabinet suspension fitting SH-40	26
	Cabinet suspension fitting SH-62	28
	Cabinet suspension fitting SH-63	30
	Cabinet suspension fitting SH-64	32
	Suspension rails	34

CABINET SUSPENSION FITTING SH-25

Load capacity 200 kg

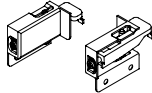


- Load capacity up to 200 kg per top cabinet in compliance with DIN 68840
- Made completely of steel
- Bearing arm closed
- Suitable for very heavy loads
- Surface: Nickel-plated or white powder coating
- Visible installation with low space requirements
- For steel rail suspension
- Screw fixing prevents accidental unscrewing

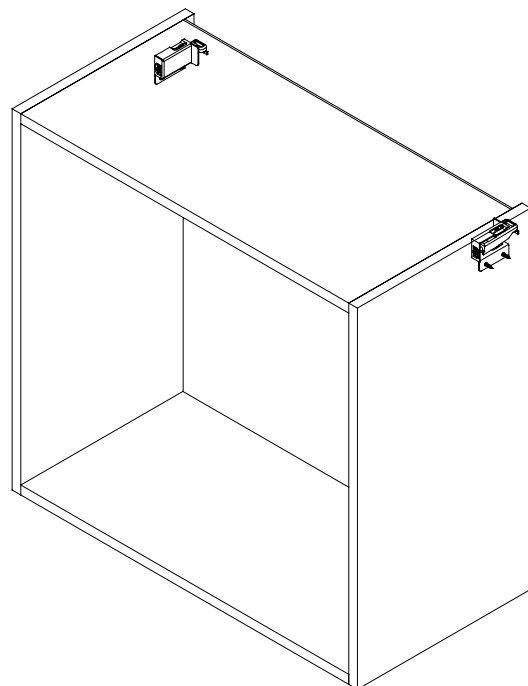
One set includes:

- Right-hand version (15x)
- Left-hand version (15x)

ORDER INFORMATION

Designation		White	Nickel-plated
Cabinet suspension fitting set SH-25 left/right		F155000003	F155000001

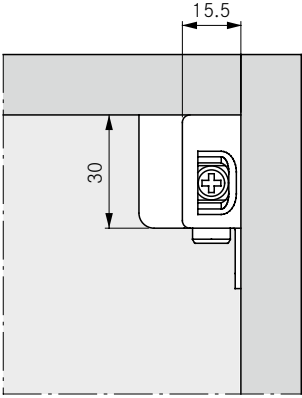
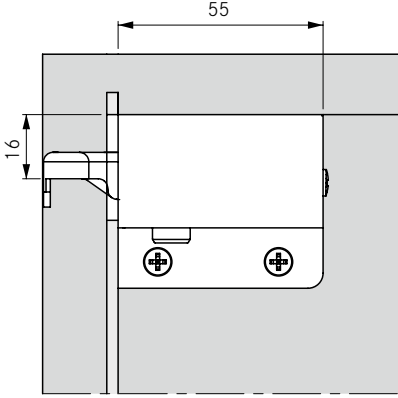
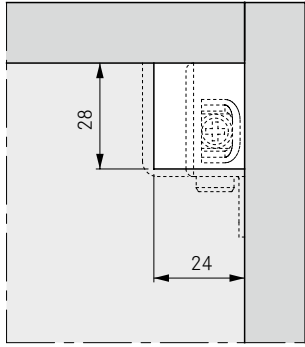
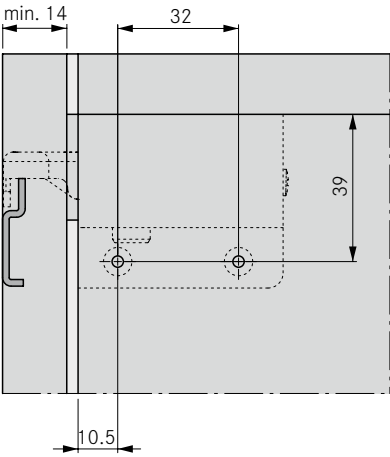
Fixing with chipboard screws only



Suspension rails	34

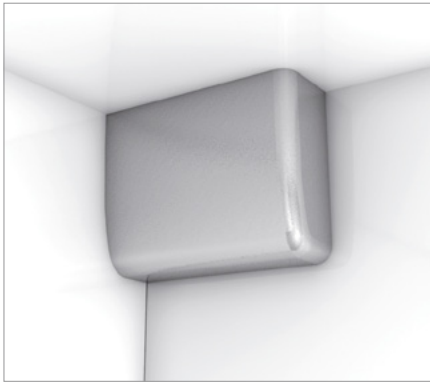
ASSEMBLY AND INSTALLATION INSTRUCTIONS

All dimensions in millimetres

Required space in the cabinet	Required space on the side wall	Back panel cut-out
		
<p>Fixture with suspension rail</p>  <p>Suspension rail adjustment range:</p> <ul style="list-style-type: none"> • Downwards 9 mm • Upwards 7 mm • To the rear 7 mm • To the front 7 mm • To the left 9 mm • To the right 9 mm 		
<p>Fixing with chipboard screw $\varnothing 4 \times 16$</p>		

CABINET SUSPENSION FITTING SH-40

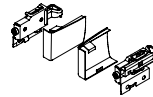
Load capacity 130 kg



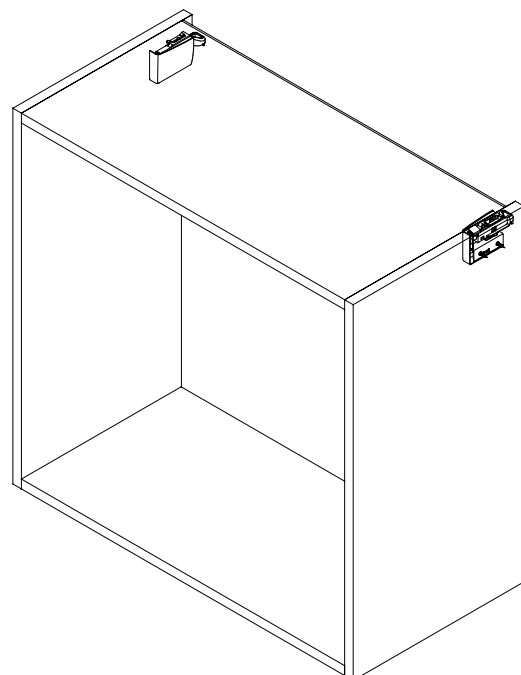
- Load capacity up to 130 kg per top cabinet in compliance with DIN 68840
 - Made completely of steel, anti-corrosion zinc coating
 - Suitable for very heavy loads
 - Visible installation with low space requirements
 - For steel rail, hook and wood rail suspension, with slip guard when suspended with hooks
 - Screw fixing prevents accidental unscrewing
 - Fast, exact adjustment with cross-recess screwdriver Pozidriv size 2
 - Automated installation possible
 - Cover caps in two colours
- One set includes:**
- Right-hand version (15x)
 - Left-hand version (15x)
 - Cover caps white or metallic silver (30x)

ORDER INFORMATION

Designation	Cover caps	
	White	Metallic silver
Cabinet suspension fitting set SH-40 left/right including cover caps	F155145202	F155145203



Fixture with chipboard screws only



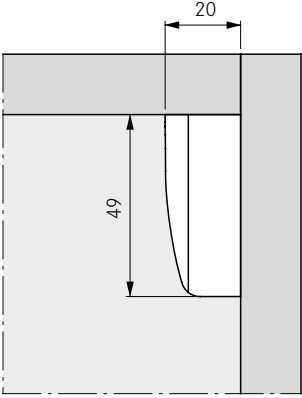
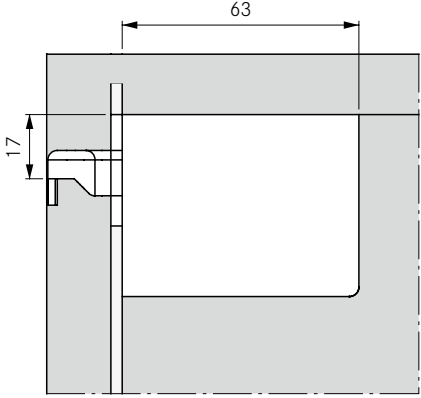
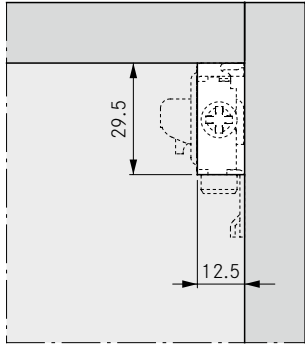
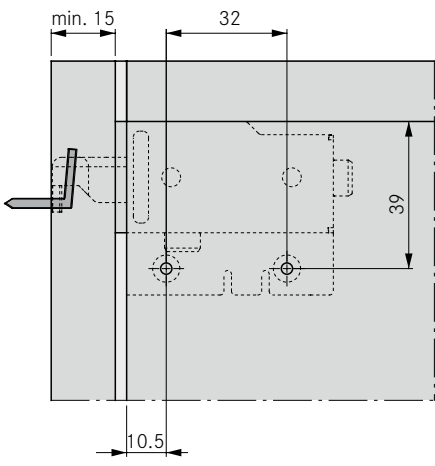
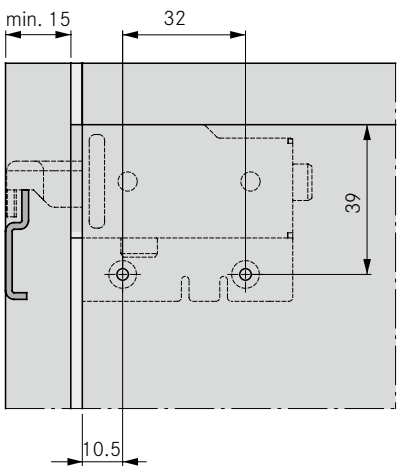

Suspension rails	34
------------------	----

--	--

--	--

ASSEMBLY AND INSTALLATION INSTRUCTIONS

All dimensions in millimetres

Required space in the cabinet	Required space on the side wall	Back panel cut-out
		
<p>Fixture with hooks</p>  <p>Hook adjustment range:</p> <ul style="list-style-type: none"> • Downwards 10 mm • Upwards 8 mm • To the rear 7 mm • To the front 7 mm • To the left 2.5¹ mm • To the right 2.5¹ mm <p>¹ with hooks Ø 5 mm</p>	<p>Fixture with suspension rail</p>  <p>Suspension rail adjustment range:</p> <ul style="list-style-type: none"> • Downwards 10 mm • Upwards 8 mm • To the rear 7 mm • To the front 7 mm • To the left 9 mm • To the right 9 mm 	<p>Note</p> <p>The cross-recess screwdriver can be positioned at an angle.</p> 
<p>Fixing with chipboard screw Ø 4 x 16</p>		

CABINET SUSPENSION FITTING SH-62

Load capacity 130/184 kg – Straight bearing arm

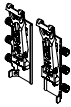
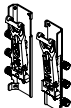


- SH6201: Load capacity up to 130 kg per top cabinet in compliance with DIN EN 15939
- SH6202: Load capacity up to 184 kg per top cabinet in compliance with DIN EN 15939
- Straight bearing arm
- Concealed installation independent of the top cabinet panel
- If SH-6202 is used, additional fixing on top panel possible
- Suitable for steel rails and wall hooks
- Load distribution on 3 mounting studs and chipboard screws
- Low space requirements of only 16 mm behind the back panel
- Automated installation possible
- Plastic assembly guide to ensure correct positioning of fitting
- Cover caps for back panel in two colours

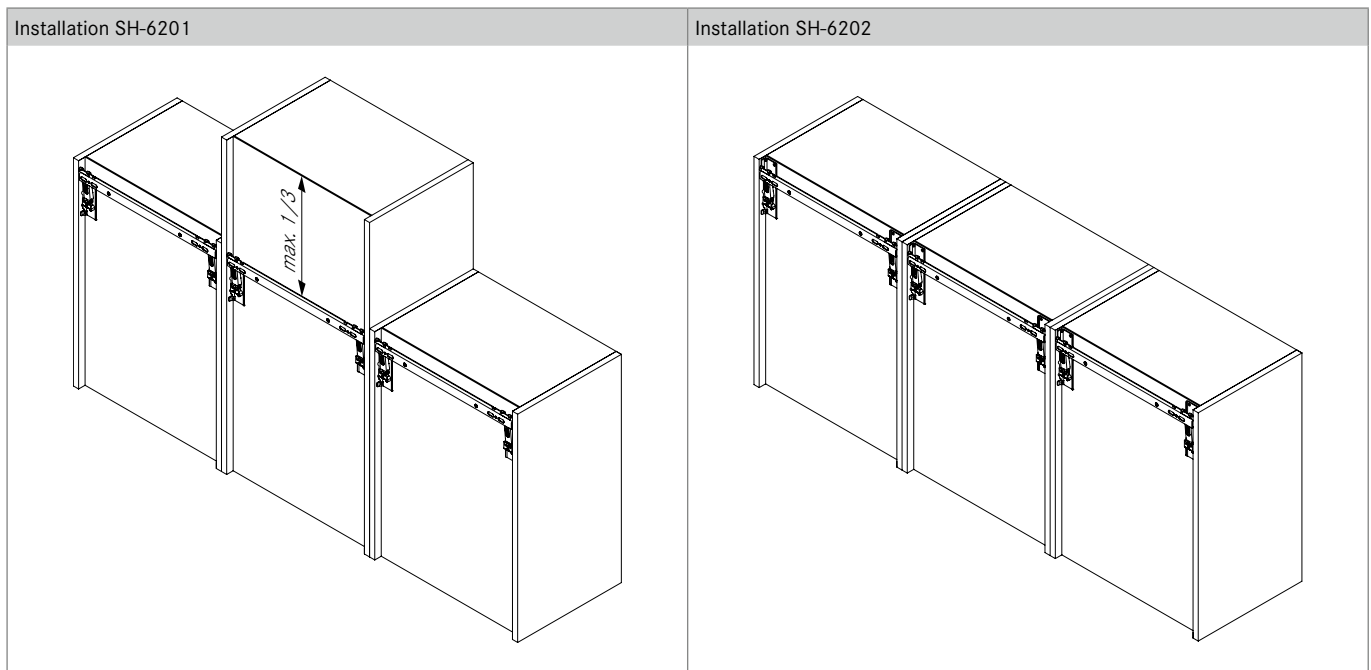
One set includes:

- Right-hand version (15x)
- Left-hand version (15x)
- Cover caps white or nickel-plated (60x)

ORDER INFORMATION

Designation	Cover caps	
	White	Nickel-plated
Cabinet suspension fitting set SH-6201 with short base plate, straight bearing arm, left/right including cover caps	 F155147979	F155147980
Cabinet suspension fitting set SH-6202 with long base plate for additional fixing on the top panel, straight bearing arm, left/right incl. cover caps, transport protection for suspension rail	 F155147985	F155147986

ASSEMBLY AND INSTALLATION INSTRUCTIONS



Suspension rails	34
------------------	----

ASSEMBLY AND INSTALLATION INSTRUCTIONS

All dimensions in millimetres

Space requirements for SH-6201		Fixing with hooks or suspension rail for SH-6201	
		Hook adjustment range	Suspension rail adjustment range
Height adjustment		± 7.5 mm	± 7.5 mm
Side adjustment		± 4 mm (with 6 mm hook width)	± 8 mm
Depth adjustment (with 16 mm space)		To the rear 9 mm	To the rear 9 mm
		To the front 11 mm	To the front 11 mm

Space requirements for SH-6202		Fixing with hooks or suspension rail for SH-6202	
		Hook adjustment range	Suspension rail adjustment range
Height adjustment		± 7.5 mm	± 7.5 mm
Side adjustment		± 4 mm (with 6 mm hook width)	± 8 mm
Depth adjustment (with 16 mm space)		To the rear 9 mm	To the rear 9 mm
		To the front 11 mm	To the front 11 mm

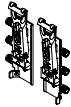
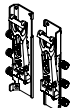
CABINET SUSPENSION FITTING SH-63

Load capacity 130/184 kg – Offset bearing arm

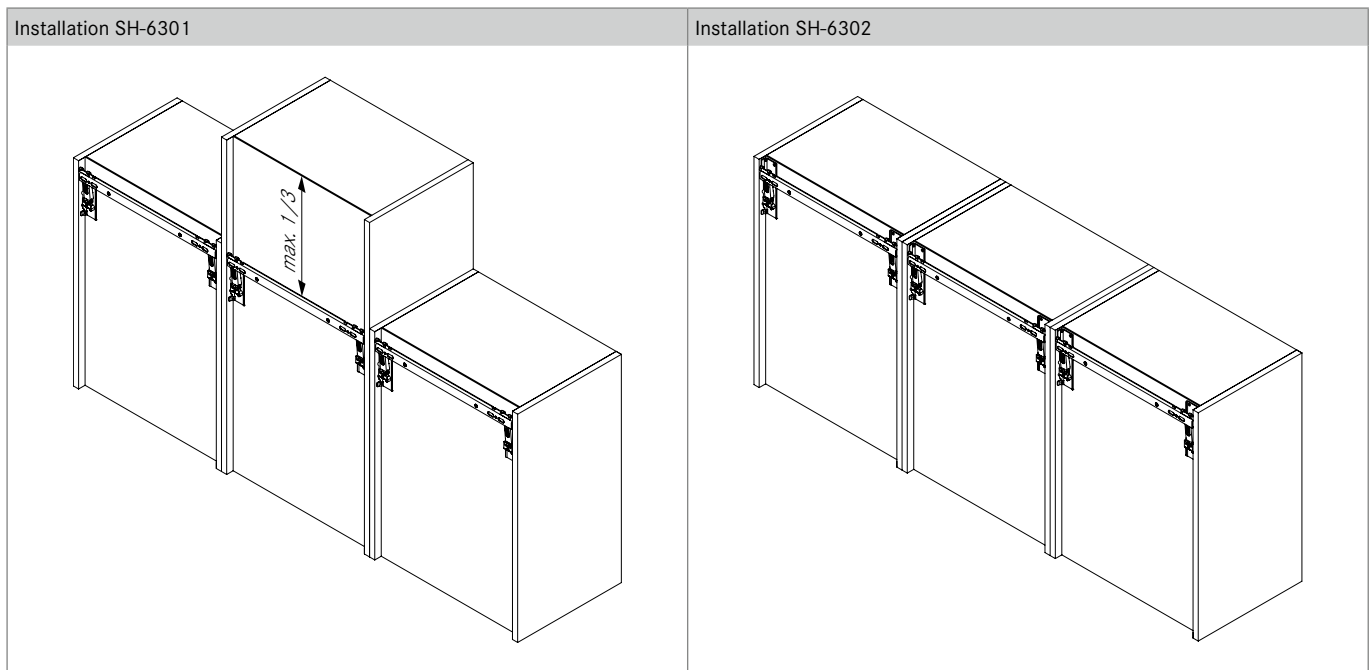


- SH6301: Load capacity up to 130 kg per top cabinet in compliance with DIN EN 15939
 - SH6302: Load capacity up to 184 kg per top cabinet in compliance with DIN EN 15939
 - Offset bearing arm – safe clamping with small spaces
 - Concealed installation independent of the top cabinet panel
 - If SH-6302 is used, additional fixing on top panel possible
 - Suitable for steel rails and wall hooks
 - Load distribution on 3 mounting studs and chipboard screws
 - Low space requirements of only 16 mm behind the back panel
 - Automated installation possible
 - Plastic assembly guide to ensure correct positioning of fitting
 - Cover caps for back panel in two colours
- One set includes:**
- Right-hand version (15x)
 - Left-hand version (15x)
 - Cover caps white or nickel-plated (60x)

ORDER INFORMATION

Designation		Cover caps	
		White	Nickel-plated
Cabinet suspension fitting set SH-6301 with short base plate, offset bearing arm, left/right including cover caps		F155145206	F155145207
Cabinet suspension fitting set SH-6302 with long base plate for additional fixing on the top panel, offset bearing arm, left/right incl. cover caps, transport protection for suspension rail		F155147983	F155147984

ASSEMBLY AND INSTALLATION INSTRUCTIONS



Suspension rails	34
------------------	----

ASSEMBLY AND INSTALLATION INSTRUCTIONS

All dimensions in millimetres

Space requirements for SH-6301		Fixing with hooks or suspension rail for SH-6301	
		Hook adjustment range	Suspension rail adjustment range
Height adjustment		± 7.5 mm	± 7.5 mm
Side adjustment		± 4 mm (with 6 mm hook width)	± 8 mm
Depth adjustment (with 16 mm space)		To the rear 4 mm	To the rear 4 mm
		To the front 11 mm	To the front 11 mm

Space requirements for SH-6302		Fixing with hooks or suspension rail for SH-6302	
		Hook adjustment range	Suspension rail adjustment range
Height adjustment		± 7.5 mm	± 7.5 mm
Side adjustment		± 4 mm (with 6 mm hook width)	± 8 mm
Depth adjustment (with 16 mm space)		To the rear 4 mm	To the rear 4 mm
		To the front 11 mm	To the front 11 mm

CABINET SUSPENSION FITTING SH-64

Load capacity 130/184 kg – Offset bearing arm incl. tool-free dislodgement protection



- SH6401: Load capacity up to 130 kg per top cabinet in compliance with DIN EN 15939
- SH6402: Load capacity up to 184 kg per top cabinet in compliance with DIN EN 15939
- Offset bearing arm
- Incl. tool-free dislodgement prevention
- Concealed installation independent of the top cabinet panel
- If SH-6402 is used, additional fixing on top panel possible
- Suitable for GRASS suspension rail and wall hook
- Load distribution on 3 mounting studs

- and chipboard screws
- Low space requirements of only 16 mm behind the back panel
- Automated installation possible
- Plastic assembly guide to ensure correct positioning of fitting
- Cover caps for back panel in two colours

One set includes:

- Right-hand version (15x)
- Left-hand version (15x)
- Cover caps white or nickel-plated (60x)

ORDER INFORMATION

Designation	Cover caps	
	White	Nickel-plated
Cabinet suspension fitting set SH-6401 with short base plate with dislodgement prevention, offset bearing arm, left/right incl. cover caps	F155147965	F155147966
Cabinet suspension fitting set SH-6402 with long base plate for additional fixing on the top panel with dislodgement prevention, offset bearing arm, left/right incl. cover caps, transport protection for suspension rail	F155147967	F155147968

ASSEMBLY AND INSTALLATION INSTRUCTIONS

<p>Installation SH-6401</p>	<p>Installation SH-6402</p>	
<p>Installation SH-64 with dislodgement prevention ¹</p>	<p>Hook-in adjustment</p>	<p>Depth adjustment with effective dislodgement prevention ¹</p>
<p>Before hanging: Put the bearing arm down completely</p>		

¹ When using the GRASS suspension rail

Suspension rails	34				
------------------	----	--	--	--	--

ASSEMBLY AND INSTALLATION INSTRUCTIONS

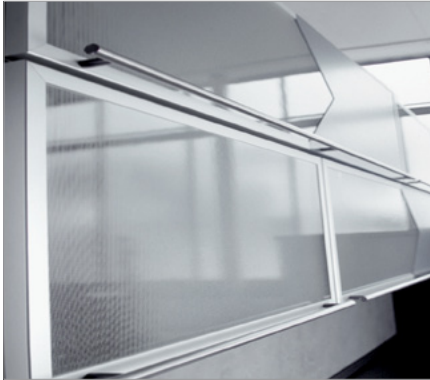
All dimensions in millimetres

Space requirements for SH-6401		Fixing with hooks or suspension rail for SH-6401	
		Hook adjustment range	Suspension rail adjustment range
Height adjustment	± 7.5 mm	± 7.5 mm	± 7.5 mm
Side adjustment	± 4 mm (with 6 mm hook width)	± 4 mm (with 6 mm hook width)	± 8 mm
Depth adjustment (with 16 mm space)	To the rear 4 mm	To the rear 4 mm	To the rear 4 mm
	To the front 11 mm	To the front 11 mm	To the front 11 mm

Space requirements for SH-6402		Fixing with hooks or suspension rail for SH-6402	
		Hook adjustment range	Suspension rail adjustment range
Height adjustment	± 7.5 mm	± 7.5 mm	± 7.5 mm
Side adjustment	± 4 mm (with 6 mm hook width)	± 4 mm (with 6 mm hook width)	± 8 mm
Depth adjustment (with 16 mm space)	To the rear 4 mm	To the rear 4 mm	To the rear 4 mm
	To the front 11 mm	To the front 11 mm	To the front 11 mm

SUSPENSION RAILS

For cabinet suspension fittings



- Safe wall fixing
- Surface zinc-coated
- Profile thickness 1.75 mm

One set includes:

- Suspension rail type 1 (10x)
- Suspension rail type 2 +3 (30x)

ORDER INFORMATION

	Length	Item No.
Suspension rail type 1, with round holes and slots for cabinet suspension fittings	2500	F155146852
Suspension rail type 2, with slip guard (embossing) for concealed cabinet suspension fittings SH-62, SH-63, SH-64	125	F155145208
Suspension rail type 3, with slip guard for visible cabinet suspension fitting SH-25 and SH-40	58	F155145209

For fixing use screw with a 13 mm head (5.5 x 60) as well as a suitable masonry dowel.
Fixing lengths upon request.

Cabinet suspension fitting SH-25	24
Cabinet suspension fitting SH-40	26

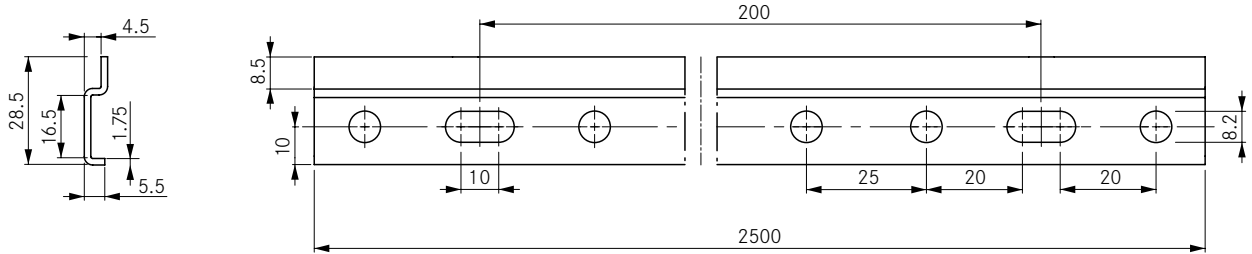
Cabinet suspension fitting SH-62	28
Cabinet suspension fitting SH-63	30

Cabinet suspension fitting SH-64	32

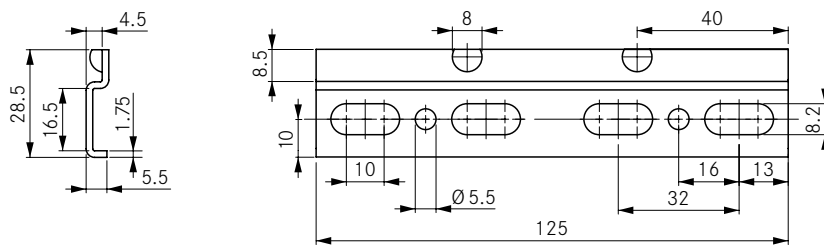
ASSEMBLY AND INSTALLATION INSTRUCTIONS

All dimensions in millimetres

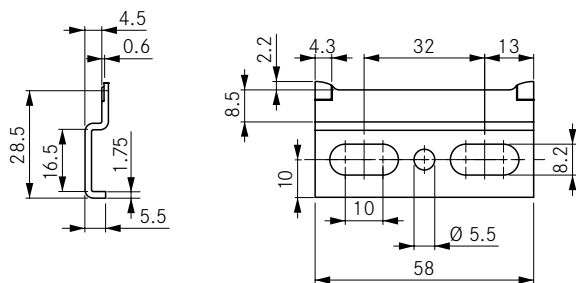
Suspension rail type 1



Suspension rail type 2



Suspension rail type 3



ITEM NO. INDEX

F article no. / Article no., old

F Article no.	Article no., old	PU	Page
---------------	------------------	----	------

F146

F146035692299	35692	1	21
F146090561299	90561	1	21
F146092594501	92594	1	21

F147

F147010256299	10256-00	1	21
---------------	----------	---	----

F154

F154145363201	-	1	8
F154145364201	-	1	8
F154145365201	-	1	8
F154145366201	-	1	8
F154145367201	-	1	8
F154145804201	-	1	16
F154145810201	-	1	16
F154145814201	-	1	16
F154147355201	-	1	16
F154147590201	F154145171	1	16
F154147591201	F154145172	1	16
F154147592201	F154145173	1	16
F154147593201	F154145174	1	16
F154147594201	F154145196	1	8
F154147595201	F154145199	1	8
F154148027201	-	1	10
F154148028201	-	1	10
F154148029201	-	1	10
F154148030201	-	1	10

F155

F155000001210	-	15	24
F155000003210	-	15	24
F155145202210	-	15	26
F155145203210	-	15	26
F155145206210	-	15	30
F155145207210	-	15	30
F155145208514	-	30	34
F155145209514	-	30	34
F155146852807	-	10	34
F155147965210	-	15	32
F155147966210	-	15	32
F155147967210	-	15	32
F155147968210	-	15	32
F155147979210	-	15	28
F155147980210	-	15	28
F155147983210	-	15	30
F155147984210	-	15	30
F155147985210	-	15	28
F155147986210	-	15	28

LEGEND

PU code	Quantity (units, pair, set)
201	1
210	15
299	1
501	1
514	30
807	10

ITEM NO. INDEX

Article no., old / F Article no.

Article no., old	F Article no.	PU	Page
------------------	---------------	----	------

10

10256-00	F147010256299	1	21
----------	---------------	---	----

35

35692	F146035692299	1	21
-------	---------------	---	----

90

90561	F146090561299	1	21
-------	---------------	---	----

92

92594	F146092594501	1	21
-------	---------------	---	----

F15

F154145171	F154147590201	1	16
F154145172	F154147591201	1	16
F154145173	F154147592201	1	16
F154145174	F154147593201	1	16
F154145196	F154147594201	1	8
F154145199	F154147595201	1	8

LEGEND

PU code	Quantity (units, pair, set)
201	1
210	15
299	1
501	1
514	30
807	10



GRASS GmbH
Movement Systems
Grass Platz 1
6973 Höchst, Austria
Phone: +43 (0) 5578 701-0
Fax: +43 (0) 5578 701-59
E-mail: info@grass.eu



www.grass.eu

Your contact:

handlie.com