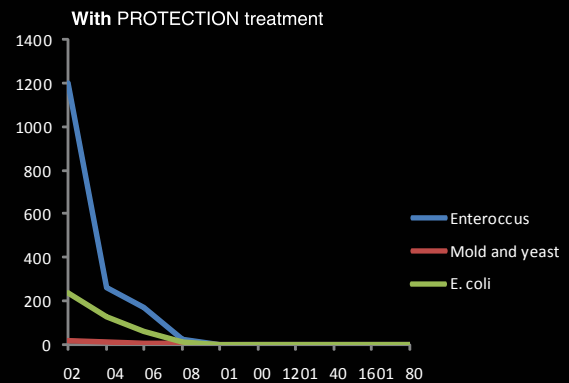
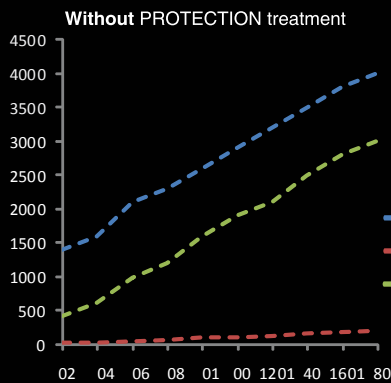


⊕ PROTECTION

anti-bacterial

- It is scientifically proved through certified lab results, which are exempt, that this product assures total removal of bacteria (see graph);
- It has an extremely long period of activity because when it is activated by a catalytic action, it is not consumed by an intrinsic action. Moreover, it's activity is effective during the product's lifecycle;
- It has a higher resistance to water steam and to cold and hot liquid stains, resisting as well to abrasion and scratch, being easy to clean and maintain;
- It's the only metallic cover which matches nickel absence (anti-allergic) with effective decomposition of infectious bacteria and micro-organisms, as well as high degree of durability;
- Being non-toxic gives advantages over powder lacquer and anti-bacteria treatments.



Application



Educational buildings: childcare, nursery schools, schools...



Healthcare buildings: hospitals, clinics, elder nursing homes...



Commercial related buildings: Shopping centers, hotels, gymnasiums, your own home...

Lugar de Vales
Mourisca do Vouga
3754-901 Águeda
PORTUGAL

t: +351 234 630 630
f: +351 234 630 632
e: geral@atz.pt
www.atz.pt



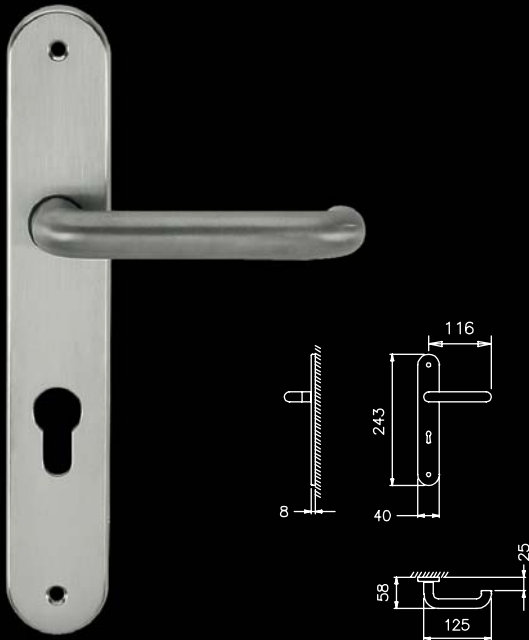
QUADRO
DE REFERÊNCIA
ESTRATÉGICO
NACIONAL
PORTUGAL 2007/2013

ATZ™
Unlocking Solutions

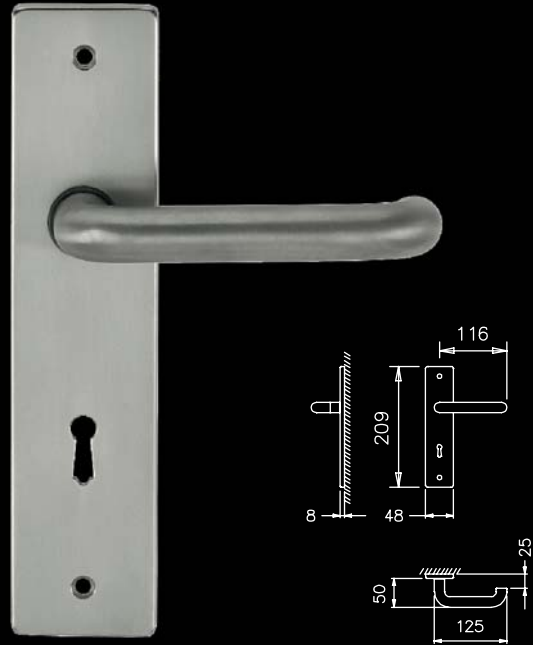
⊕ PROTECTION

anti-bacterial

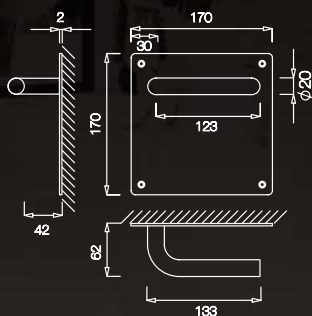
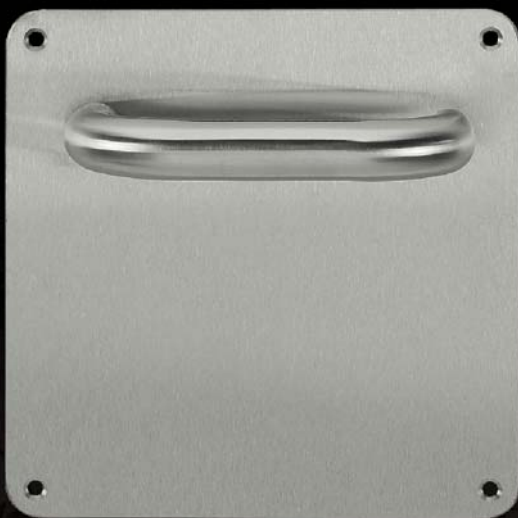
2012T



2013T



2017T



2014T

