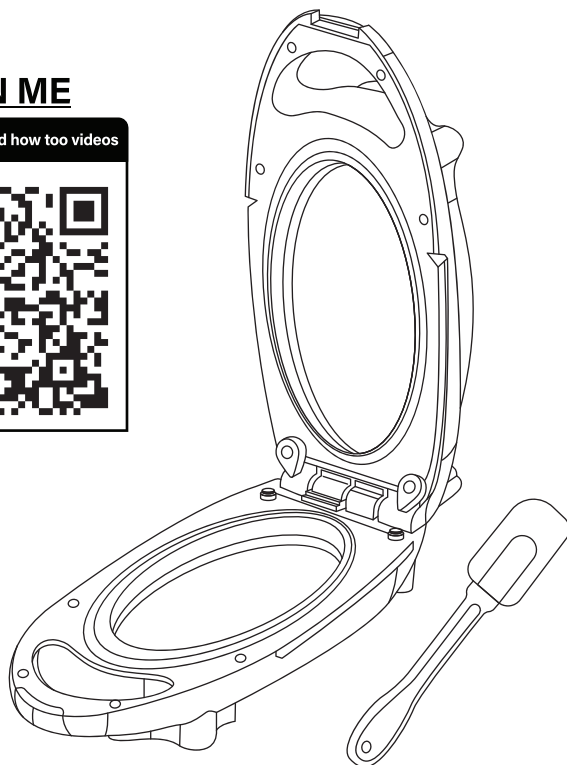


# KLEVA® QUICKTIME™

↑ VERSI ↓ **GRILL**

**SCAN ME**

For helpful tips and how too videos



## USER MANUAL

These instructions contain **important information** which will help you get the **best** from your equipment and ensure **safe and correct** assembly, **use** and **maintenance**.

# SAFETY & WARNINGS



Handle with care and inspect regularly to ensure your **VersiGrill™** is in working order. If this product, power supply or plug shows any signs of damage please **Do Not Use**.

## SAFETY AND WARNINGS

- This appliance is not intended for use by persons (including children) with reduced physical, sensory or mental capabilities, or lack of experience and knowledge, unless they have been given supervision or instruction concerning use of the appliance by a person responsible for their safety.
- Children should be supervised to ensure that they do not play with the appliance.
- If the supply cord is damaged, it must be replaced by the manufacturer, its service agent or similarly qualified persons in order to avoid a hazard.
- The appliance is not intended to be operated by means of an external timer or separate remote-control system.
- This appliance is intended to be used in household and similar applications such as:
  - Staff kitchen areas in shops, offices and other working environments.
  - Farm houses.
  - By clients in hotels, motels and other residential type environments.
  - Bed and breakfast type environments.
- Read all Instructions before using your **VersiGrill™** and keep for a reference.
- Prior to handling or cleaning please allow the **VersiGrill™** to cool down for at least 5 minutes
- The **VersiGrill™** is designed for consumer use. Follow directions only as Stated in this manual.
- The **VersiGrill™** is **NOT** dishwasher safe
- When lifting the cover always lift using your arm to the side of the **VersiGrill™** as to avoid steam burns.
- Do not use with an extension cord unless necessary, and if so, ensure it is suitably rated and is handled safely.
- The **VersiGrill™** is not intended to be operated by means of an external timer or separate remote-control system.
- Do not allow the power cord to be exposed to water, heat, direct sunlight, or overhang where it can be pulled or otherwise be damaged or pose a hazard.
- The **VersiGrill™** is intended for home use only. It is not intended for camping or commercial use. Do not use outdoors.

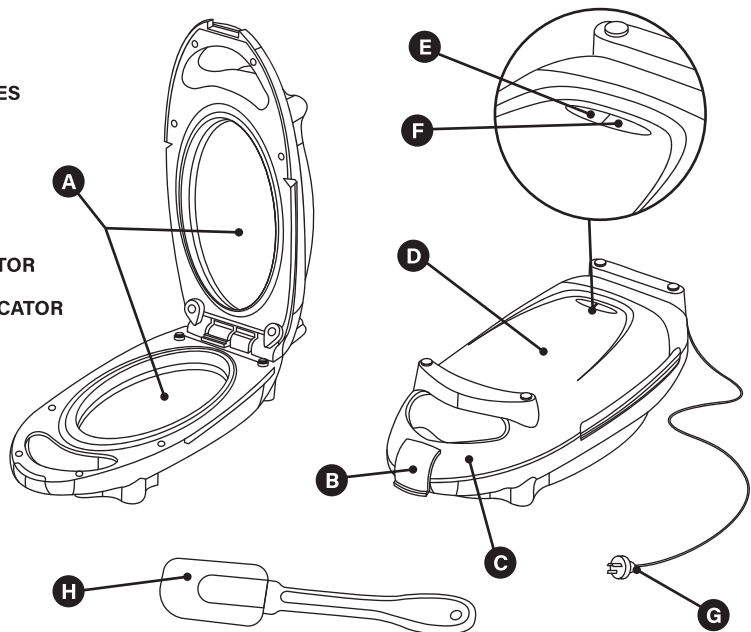
# SAFETY & WARNINGS

## PRECAUTIONS

- When lifting and lowering the cover, always lift from the handle and ensure the cover is either firmly closed or completely upright.
- Never lift the cover so that your arm or any part of your body is directly over the cooking surface, escaping steam can cause serious injury.
- When in use, do not touch or handle any part of the appliance other than the handle itself, or allow the appliance to cool suitably before handling the appliance. Hot surfaces can cause serious injury.
- Please treat all use of the **VersiGrill™** with extreme caution
- Do not use any sharp or metal kitchen utensils on the cooking surfaces - these may damage the appliance.
- Please use your Bonus spatula to avoid scathing the non stick surface as metal utensils can cause damage to the **VersiGrill™**.

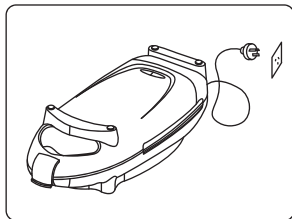
# PRODUCT COMPONENTS

- A** COOKING SURFACES
- B** SAFETY LATCH
- C** HANDLE
- D** COVER
- E** RED LIGHT INDICATOR
- F** GREEN LIGHT INDICATOR
- G** POWER CORD
- H** SPATULA

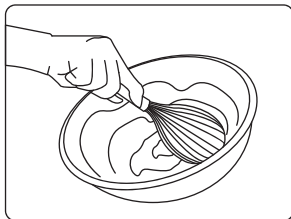


# QUICK GUIDE

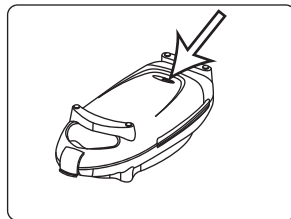
The VersiGrill™ can cook many different meals, this quick guide is a set of simple instructions to show how to use the VersiGrill™ to Specifically make the perfect omelette. Please refer to the VersiGrill™ Recipe booklet and [www.klevarange.com.au](http://www.klevarange.com.au) for other quick recipes.



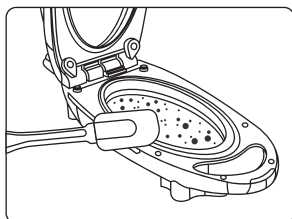
1. Place the VersiGrill™ on a flat surface and plug it in. The red light indicates the VersiGrill™ is heating up.



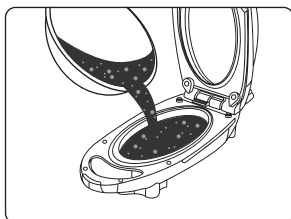
2. In a separate bowl, whisk 2x eggs and seasoning.



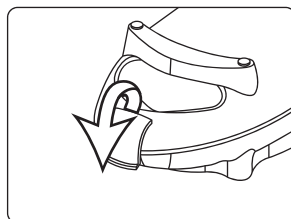
3. When the green light appears, the cooking surfaces are ready.



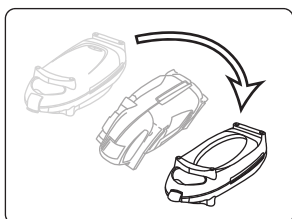
4. Carefully raise the cover, add a small amount of butter and your other ingredients, using the spatula stir the ingredients until heated adequately.



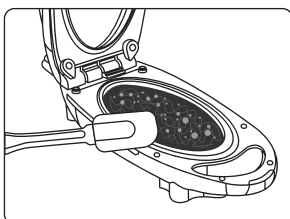
5. Slowly pour the omelette batter into the lower cooking surface area on top of the other ingredients and close the lid. Be careful not to over fill the Grill and allow for the omelette to rise.



6. Lock the latch located on the front of the Versi Grill™.



7. After 1-2 minutes, carefully flip the VersiGrill™ using the handle. Allow the omelette to cook for another 1-2 minutes.



8. When your omelette is done, use the spatula to remove your omelet from the VersiGrill™ and enjoy.

**SCAN ME**

For more quick and easy recipes



**Warning:** Do not lock the safety latch when cooking food that expands in size when cooking such as omelette or cakes. When cooking food that expands you only lock the latch when you are flipping the Versi Grill™ mid cooking, then once flipped you must unlock the latch again.

# OPERATION

## HOW TO USE

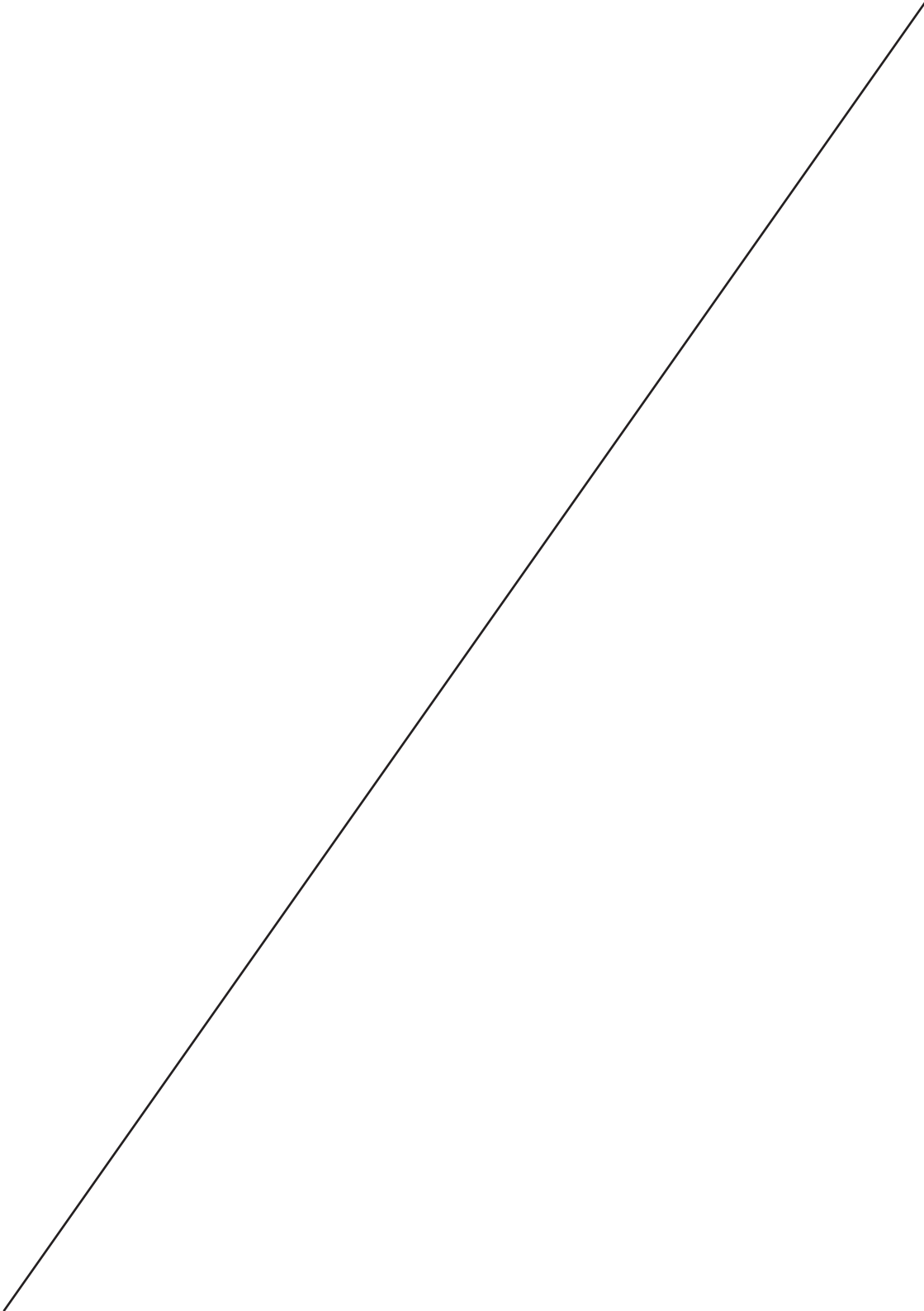
1. Before using your **VersiGrill™**, please clean all surfaces thoroughly.  
**Note:** Never immerse the appliance in water.
2. Place the **VersiGrill™** onto a flat, dry and sturdy surface. Now plug the appliance into the power socket.
3. The **VersiGrill™** will automatically turn on and a red indicator light will illuminate.
4. Once the cooking surface is hot and ready for use, a green indicator light will illuminate.
5. Place your food or mixture inside the **VersiGrill™**.
6. Lock the latch by pressing down on the latch located at the front of the device, if you are intending to flip the **VersiGrill™** to cook the other side of the food inside.

**Warning:** Do not lock the safety latch when cooking food that expands in size when cooking such as omelette or cakes. When cooking food that expands you only lock the latch when you are flipping the Versi Grill™ mid cooking, then once flipped you must unlock the latch again.

7. After locking the latch, the **VersiGrill™** can be rolled over, if desired to ensure your food inside is evenly cooked.
8. Use Your **Bonus Spatula** to mix ingredients, spread mixtures and easily remove food from the appliance.

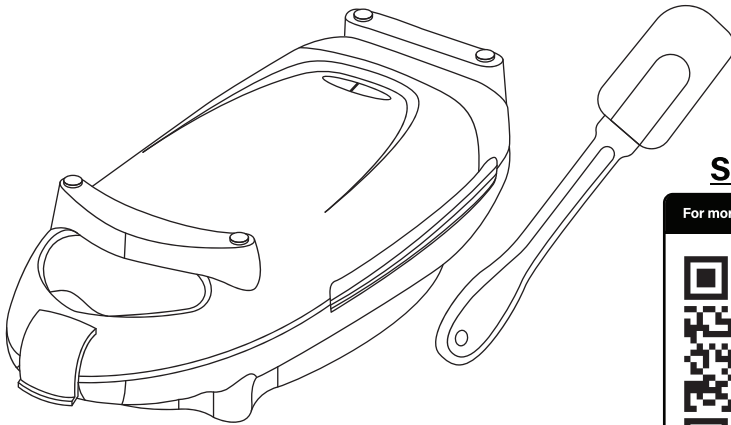
## CLEANING

- Before starting any cleaning on the **VersiGrill™**, please make sure the appliance is unplugged and has had the adequate time to completely cool.
- Do not use any abrasive cleaners or brushes on any of the surfaces
- Use warm soapy water and a soft sponge to clean the **VersiGrill™**.
- Dry with a soft towel or allow the **VersiGrill™** to air dry.
- If any cooking surface has burnt food stuck on it, a small amount of cooking oil can be poured on the burnt food. Allow the oil to sit for ten minutes, then simply wipe with a damp cloth.
- Before storing the appliance, please ensure that the **VersiGrill™** is completely dry and clean.



# KLEVA® QUICKTIME™

↶ VERSI ↷ **GRILL**



**SCAN ME**

For more quick and easy recipes



**BEWARE OF HOT GRILL. ALWAYS KEEP CHILDREN AWAY FROM HEATED GRILL. THE HANDLES AND KNOBS OF YOUR COOKING IMPLEMENT COULD BECOME HOT. EVEN STAY-COOL HANDLES CAN GET HOT. ALWAYS TREAT A GRILL AS THOUGH IT'S HOT.**

**KLEVA RANGE®**

🌐 [www.klevarange.com.au](http://www.klevarange.com.au)

☎ 02 9387 4100

✉ [enquiries@klevarange.com.au](mailto:enquiries@klevarange.com.au)

📍 Suite 301 / 209 Oxford St

Bondi Junction NSW 2022 Australia

**GENUINE  
KLEVA  
QUALITY**



Kleva® is a registered trademark  
of Take Two Marketing and Events Pty Ltd.