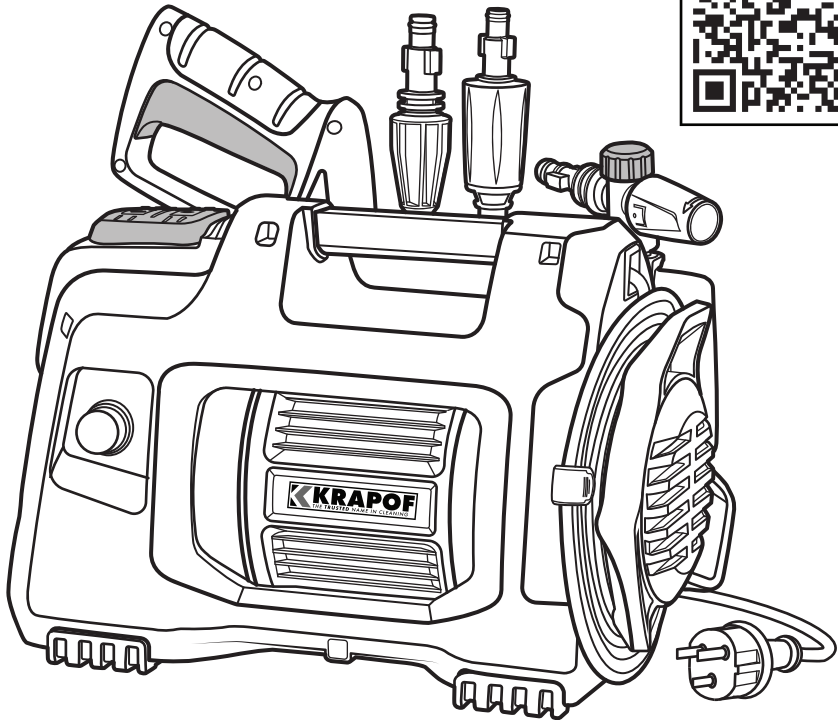




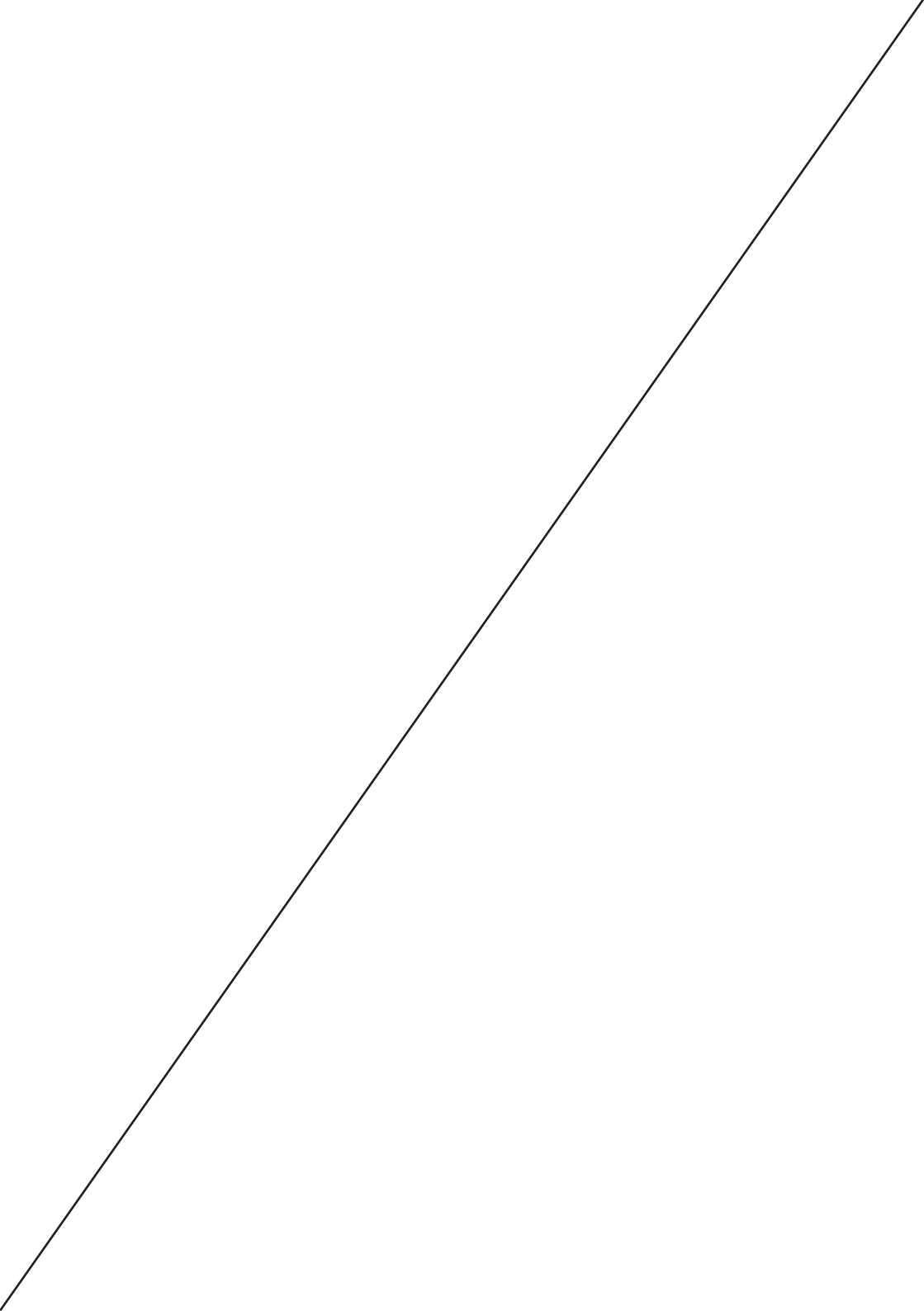
SCAN ME

For helpful tips and how to videos



USER MANUAL

Please read this **User Guide** carefully before use
& keep it handy for future reference.



SAFETY WARNINGS



Warning: This machine is not suitable for connection to a portable water main.

- This appliance is not intended for use by children or other persons without assistance or supervision if their physical, sensory or mental capabilities prevent them from using it safely.
- Children should be supervised to ensure that they do not play with the appliance.
- Before starting up your machine please check it carefully for any defects. If you find any do not start up your machine and contact your distributor.
- The insulation of the power cord should be faultless and without any cracks. If the power cord is damaged, an authorized distributor should replace it.
- Do not use this appliance without reading this instruction sheet.
- The electricity supply connection shall be made by a qualified electrician and comply with IEC60364-1.
- The electricity supply to this appliance should include either a residual current device that will interrupt the supply if the leakage current to earth exceeds 30Ma for 30ms or a device that will interrupt the earth circuit.
- This appliance has been designed for use with the cleaning agent supplied or recommended by the manufacturer. The use of other cleaning agents or chemicals may adversely affect the safety of the appliance.
- Do not use the appliance within range of persons unless they wear protective clothing.
- High pressure jets can be dangerous if subject to misuse. The jet must not be directed at persons, live electrical equipment or the appliance itself.
- Do not direct the jet against yourself or others in order to clean clothes or footwear.
- Risk of explosion - do not spray flammable liquids.
- Disconnect from the electrical power supply before carrying out user maintenance.
- High pressure cleaners shall not be used by children or untrained personnel.
- To ensure appliance safety, use only original spare parts from the manufacturer or approved by the manufacturer.
- High pressure hoses, fittings and couplings are important for safety of the appliance. Use only hoses, fittings and couplings recommended by manufacturer
- Do not use the appliance if a supply cord or important parts of the appliance are damaged, e.g. safety devices, high pressure hoses, trigger gun.
- Inadequate extension cords can be dangerous. If an extension cord is used, it shall be suitable for outdoor use, and the connection has to be kept dry and off the ground. It is recommended that this is accomplished by means of a cord reel which keeps the socket at least 60 mm above the ground.
- Inadequate extension cords can be dangerous.
- This high pressure washer must not be used at temperatures below 0°C.
- Cord on drums should always be completely unwound to prevent the cord from overheating.
- If an extension cord is used, the plug and socket must be of watertight construction.
- Comply with the below-mentioned requirements for length and cord dimensions.
1.0mm - max.12.5m
1.5mm - max.20m
2.5mm - max.30m
- Power cord connections should be kept dry and off the ground.
- If the power cord is damaged, it must be replaced by the manufacturer or a service agent or similarly qualified person in order to avoid a hazard.

SAFETY WARNINGS

- Keep the machine on a stable and flat surface during operation, handling, transportation and storage.
- Sudden overturn of machine will cause injury to body.
- In the event of accident or breakdown, switch off the machine immediately. (e.g. contact with detergent: rinse with an abundance of clean water.)
- Through poor conditions of the electrical MAINS, voltage drops can appear when starting the equipment. This can influence other equipment (e.g. Blinking of a lamp). If the MAINS-IMPEDANCE Z_{max} is $<0.335 \text{ } \Omega$, such disturbances are not expected. (If required, contact your local supply authority for further information.)

ELECTRICAL SHOCK HAZARD

Improper connection of the equipment – grounding conductor can result in a risk of electrical shock. Check with a qualified electrician or service person if you are unsure if an outlet is properly grounded. DO NOT modify the plug provided with the appliance to fit an outlet, have a proper outlet installed by a qualified electrician.

MAIN POWER CONNECTION

The following should be observed when connecting the high pressure washer to the electricity installation:

- The electricity installation shall be made by a certified electrician and comply with IEC-60364.
- It is recommended that the electricity supply to this appliance should include either a residual current device that will interrupt the supply if the leakage current to earth exceeds 30 mA for 30 ms.
- Only use water without any impurities. If there is a risk of running sands in the inlet water (i.e. from your own well), an additional filter should be mounted.

SAFETY DEVICES

- The unloader valve can reduce pressure if it exceeds pre-set values. The spray gun features a locking device. When the pawl is activated, the spray gun cannot be operated.

THERMAL SENSOR

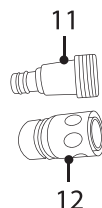
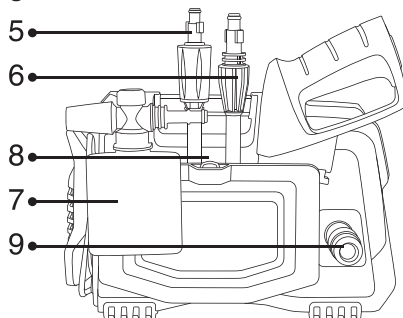
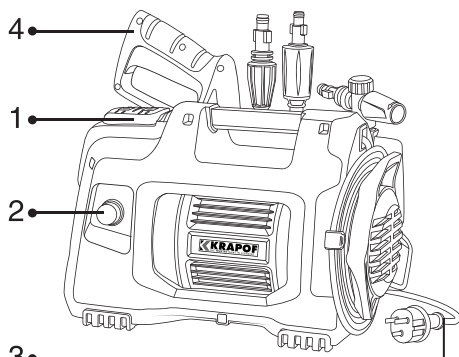
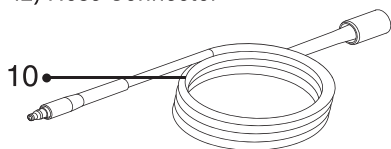
- A thermal sensor protects the motor against overloading. Machine will restart after a few minutes when the thermal sensor has cooled

SPECIFICATIONS

Model	SKU: KPW1400
Power	1400W
Voltage	220~240V
Frequency	50Hz
Protection Class	II
Degree of Protection	IPX5
Rated Pressure	7.5 MPa
Max Pressure	11 MPa
Rated Flow	5.1 l/min
Max Flow	7.0 l/min
Rated Temperature	40°C Max
Max Inlet Pressure	0.7 MPa
Sound Pressure level Uncertainty (LPA)	76.7 dB
Sound Power level Uncertainty (LWA)	88.64 dB
Weight	6.1 kg

PARTS LIST

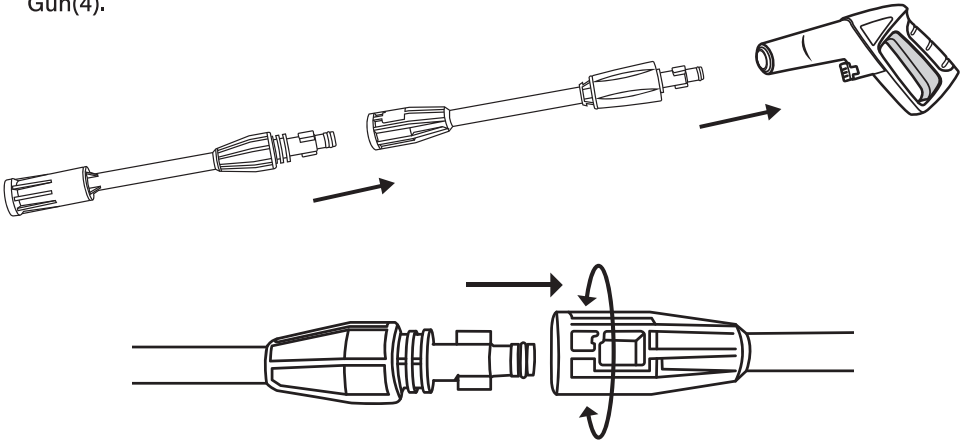
- 1) Power Switch OFF(O)/ON(I)
- 2) Water Outlet
- 3) Power Cord
- 4) Trigger Gun
- 5) Spray Wand
- 6) Adjustable Nozzle
- 7) Detergent Bottle
- 8) Needle Cleaning Tool
- 9) Water Inlet
- 10) High Pressure Hose
- 11) Outlet Connector
- 12) Hose Connector



ASSEMBLY

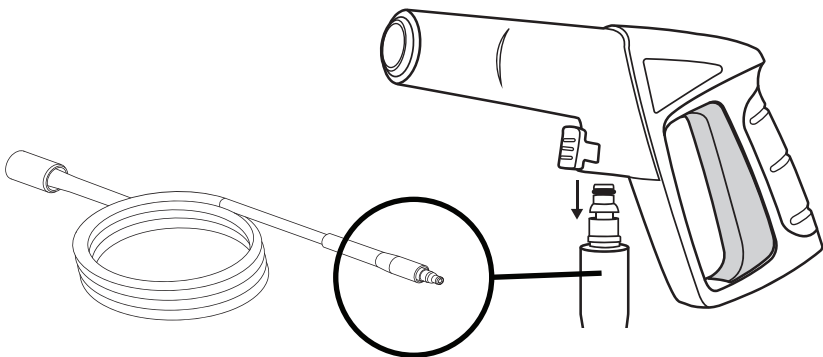
1. Installing the Spray Wand

Push the Adjustable Nozzle(6) into the Spray Wand(5) and then rotate until both parts are completely locked. Then push and rotate these combined sections into the Trigger Gun(4).



2. Connect the High Pressure Hose into the Trigger Gun

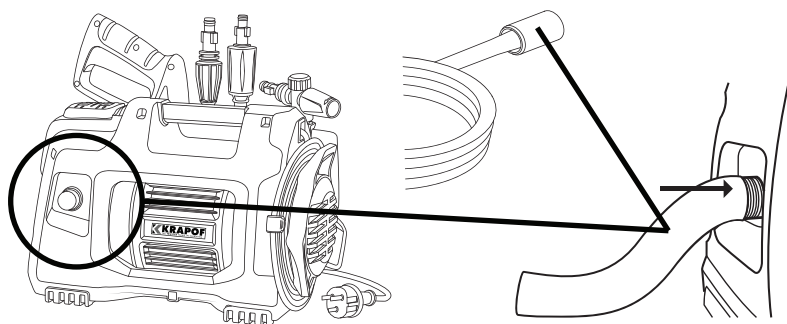
Connect the external silver connector end of the High-Pressure Hose(10) to the Trigger Gun(4). Once inserted this will automatically lock in place.



ASSEMBLY

3. Connect the High Pressure Hose to the Water Outlet

Connect the other end, this is the metal fitting on the High-Pressure Hose(10) with a collar. This must be pushed into the Water Outlet(2) firmly at the same time as twisting the black rotatable collar as indicated in the diagram below.



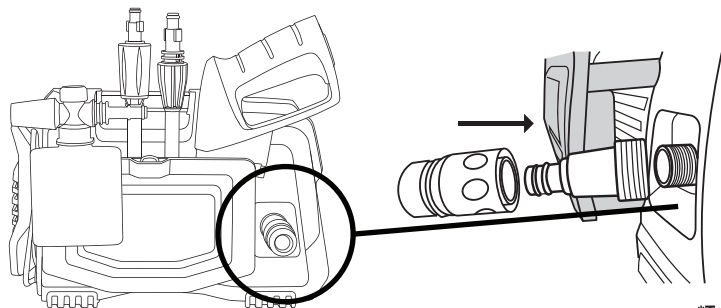
Note: This pushing and turning action must be completed at the same time to ensure this connection is as tight as possible.

4. Connect the Garden Hose to the Water Inlet

Connect the Outlet Connector(11) to the Water Inlet(9) of the Pressure Washer by twisting into place.

Note: If your hose already has a hose connector you can connect directly onto an outlet connector.

If your hose does not have a connector you can use the provided Hose Connector(12) to connect your hose to the Outlet Connector(11)



OPERATION

Using Your Pressure Washer

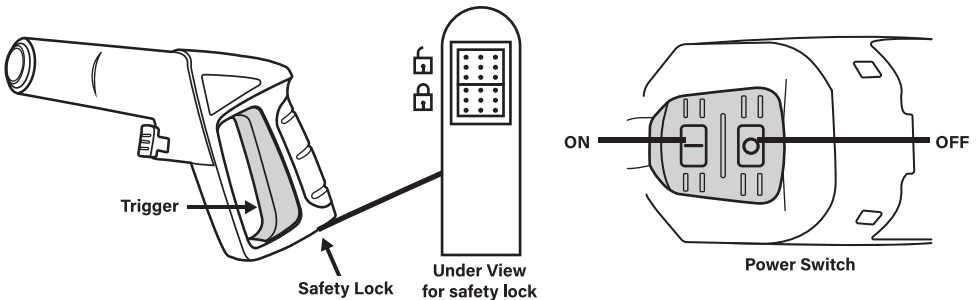
Before starting, test the washer in an inconspicuous area, particularly when using on less durable surfaces like wood or a soft stone. Direct the spray at a 45 degree angle and at the maximum distance away to clean the surface without damaging it. Start further away and move slowly towards the surface as needed.

Step 1 - Turn on the water supply tap fully.

Step 2 - Release the safety lock located on the bottom of the Trigger Gun(4), then press the trigger for a few seconds to allow air to escape and discharge residual pressure in the hose.

Step 3 - Keeping the trigger pressed, push the power switch to start the motor.

Step 4 - When restarting the motor, always keep the trigger pressed.



NOTE: The machine is not suitable for connection to a portable water main.



WARNING: The intake water temperature must not exceed 40°C. The water supply must not exceed 0.7 MPa.

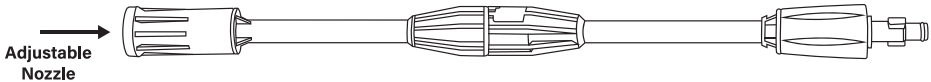


CAUTION: The washer must only be used with clean water; use of unfiltered water or corrosive chemicals will damage the washer.

OPERATION

Adjustable Nozzle and Spray Wand

The washer is equipped with an Adjustable Nozzle(6) for fast and highly efficient cleaning. By twisting the nozzle, the spray force and angle can be adjusted to suit the cleaning task required.



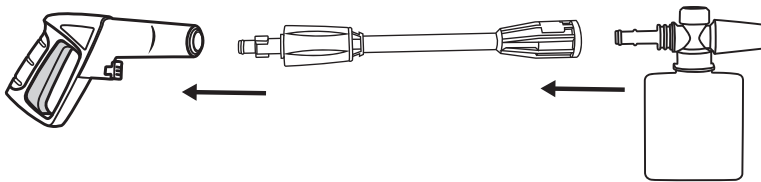
WARNING: Do not adjust the nozzle while the trigger is squeezed.



WARNING: The spray force from this nozzle when twisted to the compact force position, can cause injuries if pointed directly at yourself or others.

Installing The Detergent Bottle

The Detergent Bottle(7) is designed to be connected between the Adjustable Nozzle(6) and the Spray Wand(5) as per the diagram bellow.



Soap or detergent can be used inside the Detergent Bottle(7). It is recommended to check the type of soap or detergent that would be most appropriate to use for the surface you are cleaning.

After Operation With Detergent

- When you have finished using the pressure washer, you must remove the Detergent Bottle(7) from the Trigger Gun(4), then drain the residual detergent and rinse the Detergent Bottle(7) with clean water.
- For storage, ensure the detergent tank is fitted with the cap.

OPERATION

After Using Your Pressure Washer

Step 1 - After cleaning, switch the power switch to off and turn off the water supply tap.

IMPORTANT

Step 2 - Before you are able to disconnect the Spray Wand(5) or Hose Connector(12) you must release all the water and pressure first.

Step 3 - To do this squeeze the trigger, water will continue to come through the Spray Wand(5). The process of releasing the pressurized water is completed once no more water is released whilst you are squeezing the trigger.

Step 4 - Once this pressure is released, lock the Trigger Gun(4). The pressure washer can then be disassembled.

Step 5 - Detach the Spray Wand(5) and Adjustable Nozzle(6) from the Trigger Gun(4).

Step 6 - Push the disconnect release button on the Trigger Gun(4) and pull the High Pressure Hose(10) out of the Trigger Gun(4).

Step 7 - Place the Trigger Gun(4) into the storage space allocated for the Trigger Gun(4).

Step 8 - Put both the Spray Wand(5) and Adjustable Nozzle(6) into the storage position allocated.

Step 9 - Coil the High Pressure Hose(10) and hang it over the hose storage.

Step 10 - Store the Power Cord(3) connection in the accessory compartment.

Note: Always store the pressure cleaner, parts, and accessories in a place that is inaccessible to children. The ideal storage temperature is between 10°C and 30°C. Store the power washer indoors to prevent the water in the unit from expanding under freezing conditions.



WARNING: When disconnecting the supply or high pressure hose, warm water may leak from the connection after operation.



CAUTION: Risk of personal injury or damage!
Mind the weight of the appliance during transport.

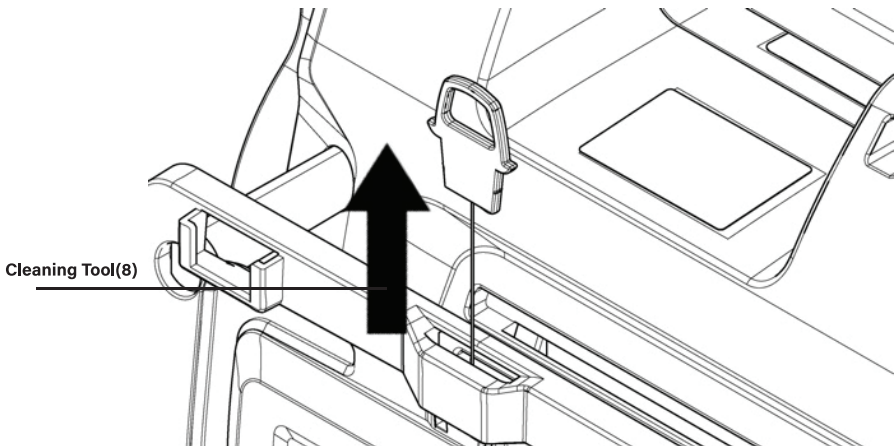
MAINTENANCE



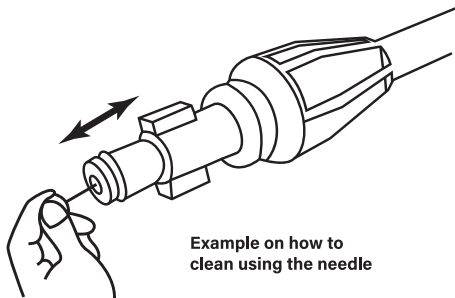
CAUTION: Before working on the washer, disconnect the plug from the power supply socket.

Maintaining Your Pressure Washer

- To ensure good performance, check and clean all the parts and accessories after every 10 hours of operation



The Needle Cleaning Tool(8) provided is located in the above diagram. Use this tool to remove any dirt or blockages in the Spray Wand(5), Adjustable Nozzle(6), Trigger Gun(4), Hose Connector(12) and Outlet Connector(11).



Example on how to clean using the needle

TROUBLESHOOTING

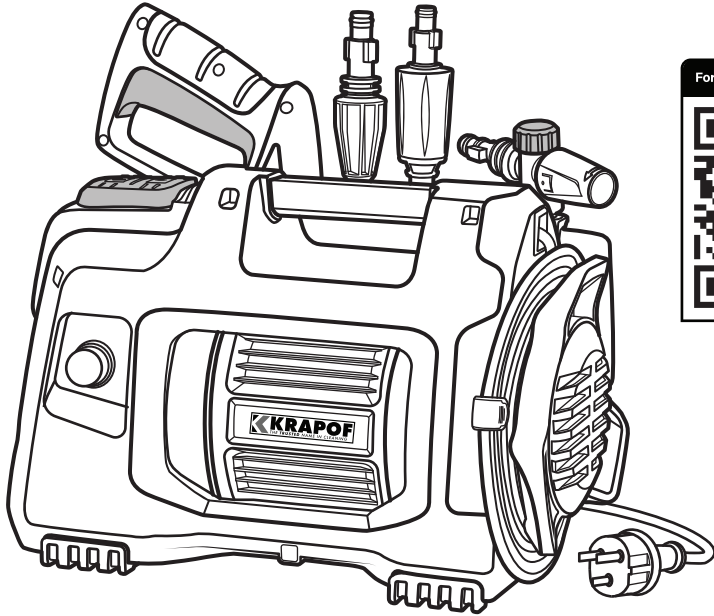
Troubleshooting Your Pressure Washer

Disconnect from the electrical power supply before carrying out user maintenance or checking it is functioning correctly. To avoid unnecessary disappointments, you should check the following before contacting the service organization. In case problems other than the below occur, please contact your local distributor.

Symptom	Cause	Recommended action
Machine refuses to start	<ul style="list-style-type: none">- Machine not plugged in- Defective socket- Fuse has blown- Defective extension cord	<ul style="list-style-type: none">- Plug in machine- Try another socket- Replace fuse- Switch off other machine- Try without the extension cord
Fluctuating pressure	<ul style="list-style-type: none">- Pump sucking air- Valve is dirty, worn out or stuck- Pump seals worn out	<ul style="list-style-type: none">- Check that hoses and connections are airtight- Clean and replace or refer to local distributor
Machine stops	<ul style="list-style-type: none">- Fuse has blown- Incorrect mains voltage- Thermal sensor activated- Nozzle partially blocked	<ul style="list-style-type: none">- Replace fuse- Switch off other machines- Check that the main voltage corresponds to specification on the model tag- Leave the washer for 5 minutes to cool down- Clean the nozzle
Fuse Blows	<ul style="list-style-type: none">- Fuse too small	<ul style="list-style-type: none">- Change to an installation higher than the amp consumption of the machine- You may try without the extension cord
Machine Pulsating	<ul style="list-style-type: none">- Air in inlet hose- Inadequate supply of mains- Nozzle partially blocked- Water filter blocked- Hose kinked	<ul style="list-style-type: none">- Allow machine to run with open trigger until regular working pressure resumes- Check the water supply corresponds to specifications required- Avoid using long, thin hoses (min. 1/2")- Clean the nozzle- Clean the filter- Straighten out hose
Machine often starts and stops by itself	<ul style="list-style-type: none">- Pump/spray gun is leaking	<ul style="list-style-type: none">- Contact your nearest service centre (enquiries@klevarange.com.au) or contact our team on: 02 9387 4100
Machine starts but no water comes out	<ul style="list-style-type: none">- The Pump/hose or accessory is frozen- No water supply- Water filter blocked- Nozzle blocked	<ul style="list-style-type: none">- Wait for the pump/hose or accessory to thaw- Connect inlet water- Clean the filter- Clean the nozzle

KRAPOF

THE TRUSTED NAME IN CLEANING



SCAN ME

For helpful tips and how to videos



**READ AND FOLLOW ALL WARNINGS
AND ADVICE CAREFULLY.**

KLEVA RANGE®

🌐 www.klevarange.com.au
☎ 02 9387 4100
✉ enquiries@klevarange.com.au
📍 Suite 301 / 209 Oxford St
Bondi Junction NSW 2022 Australia

**GENUINE
KLEVA
QUALITY**



Klevarange® is a registered trademark
of Take Two Marketing and Events Pty Ltd.