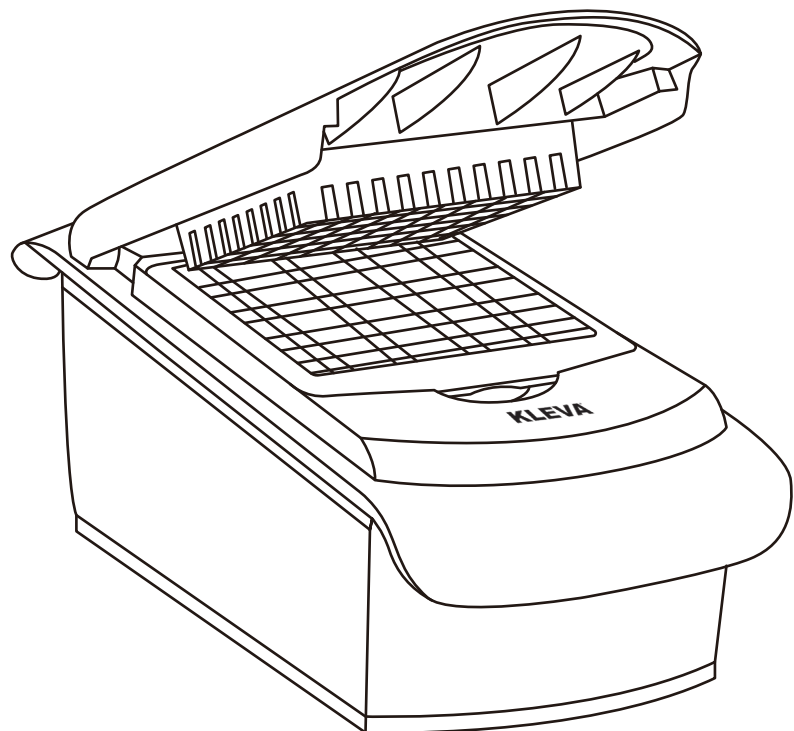


KLEVA[®] CUBE CUTTER[™]



USE & CARE INSTRUCTIONS

SAFETY WARNINGS

- Use and store the appliance out of reach of children.
- Do not place Cube Cutter[™] near heat, flammable objects and substances radiating heat.
- Do not push food with your hands - The blades are very sharp. Always use Lid and Food Holder.
- Keep the appliance on a flat surface at all times.

NOTE: Before the first use of the Cube Cutter[™], run the product under warm water with detergent, rinse and dry thoroughly. Avoid having your hands and fingers coming into direct contact with the cutter, the blades are very sharp!

INTRODUCTION

The Kleva Cube Cutter[™] is a multipurpose device that allows you to chop, slice, dice and grate your fruits and vegetables fast and fresh every time.

The KLEVA Cube Cutter[™] is good for:

- Julienne Slices
- Finely chopped pieces
- Cheese Slices
- Chips and much more!

SCAN ME

For helpful tips and how to videos

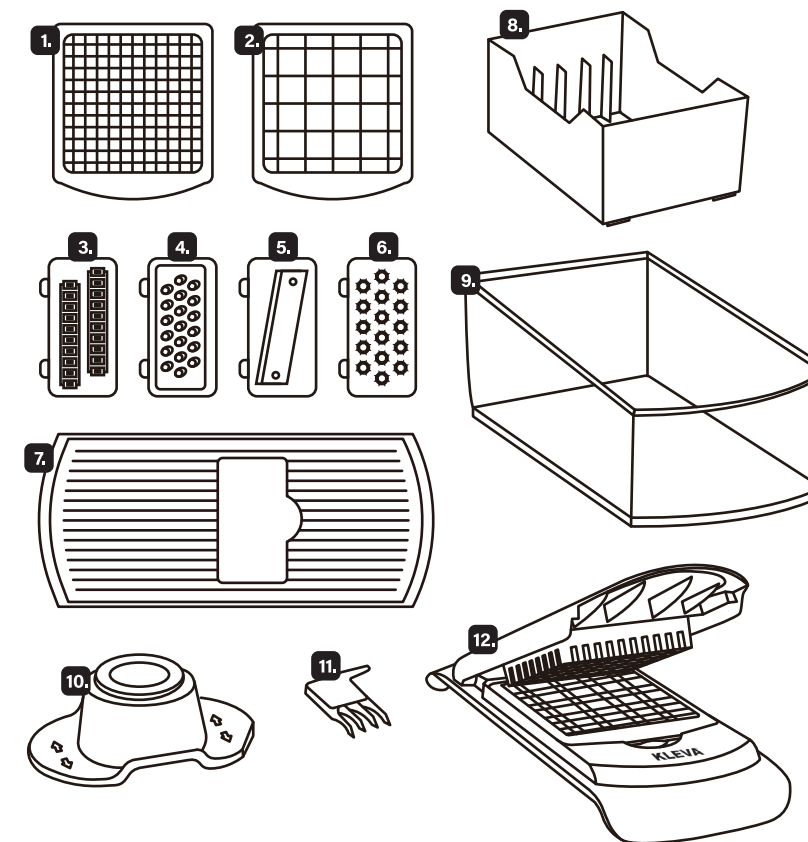


Please visit the Kleva Range Website for helpful hints and videos for food use.

Features:

- 6 interchangeable stainless-steel blades included
- Soft grip handle is non-slip
- Rubber non-skid base ensures secure food preparation

ATTACHMENT NAMES



- | | |
|----------------------|------------------------------------|
| 1. Thin Cube Cutter | 7. Mandoline Slicer Lid |
| 2. Thick Cube Cutter | 8. Slicer/Grater attachment Holder |
| 3. Julienne Slicer | 9. Food Catcher Container |
| 4. Coarse Grater | 10. Safety Food Holder |
| 5. Thin Slicer | 11. Safety Cleaning Tool |
| 6. Fine Grater | 12. Dicing/ Chopping Lid |

CUBE CUTTING ATTACHMENT

How to assemble

1. Select the Dicing/Chopping Lid and install it onto the Food Catcher Container. Slot the Lid into place by lining it up with the edges of the Food Catcher Container and lowering it down until secure.

How to use

1. To chop, install the Stainless-Steel Cube Cutter[™] attachment into the empty square cavity, in the centre of the Dicing/ Chopping Lid. The chosen Cube Cutter[™] attachment will simply slot into place and should not be able to move or slide once correctly inserted. Blades are sharp, please ensure fingers never come into contact with the blade, risk of injury to hands. Keep out of reach from children. (Image A)
2. Place the food you wish to cut in the centre of the chosen Cube Cutter[™] attachment with the flat side down. Blades are sharp, please ensure fingers never come into contact with the blade, risk of injury to hands. Keep out of reach from children.
3. Place one hand over the top of the lid with a flat palm and the other, holding the lip of the lid and press down. Apply pressure to chop with one smooth motion. (Image B)
4. Blades are extremely sharp, do not put your fingers near blades. Please use the Safety Cleaning Tool provided, to clean the blades, to clean between grooves, to remove all excess food and also to clean the top teeth of the lid. (Image C)



MANDOLINE SLICER/GRATER ATTACHMENT

How to assemble

1. Place the Mandoline Lid into place by lining it up with the edges of the Food Catcher Container and lowering it down until secure.

How to use

1. Blades are extremely sharp, do not put your fingers near blades. With care, place your chosen attachment into the empty square cavity, in the centre of the Mandoline Lid. The back 2 teeth of the Slicer or Grater attachment will need to be inserted facing the back of the lid. It will slot into place and should not move or slide once correctly inserted.

NOTE: Blades are sharp, please ensure fingers never come into contact with the blade, risk of injury to hands. Keep out of reach from children.

2. Place your choice of ingredient on a flat surface and then grab your Safety Food Holder and push that into your choice of ingredient until it is attached. Starting at the top of the Mandoline Slicer Lid, hold the Safety Food Holder with the attached ingredient and in a slow motion start to slice or grate in a downwards and forward repeated action. Always use the Safety Food Holder to handle the food ingredients. **Do not use your fingers due to sharp blades.**

HOW TO CLEAN

1. Once you have finished using the unit, carefully remove the attachments from its Lid. To clean between the grooves of the blade, please use the Safety Cleaning Tool. For a deep clean, disassemble and place on the top rack of the dishwasher or carefully wash the body of the unit in warm water with washing detergent and carefully rinse the outside of the blades.

NOTE: Blades are sharp, please ensure fingers never come into contact with the blade, risk of injury to hands. Keep out of reach from children.

2. Once you have washed the unit carefully, dry completely with a dry cloth and store the Grater/ Slicer attachments in its Storage Container, then place all attachments in the Food Catcher Container for easy storage.

KLEVA[®] CUBE CUTTER[™]

KLEVA RANGE[™]

© www.klevarange.com.au
 ☎ 02 9387 4100
 ✉ enquiries@klevarange.com.au
 📍 Suite 301 / 209 Oxford St
 Bondi Junction NSW 2022 Australia

GENUINE
 KLEVA
 QUALITY

Kleva[®] is a registered trademark of Take Two Marketing and Events Pty Ltd.