

**KLEVA®**



**MINI PRESSURE WASHER**



**SCAN ME**

For helpful tips and how to videos



Model: - MINIKPW1200



**CAUTION** Please read the instructions before using the machine.

# USER MANUAL

Please read this **User Guide** carefully before use & keep it handy for future reference.

# Safety Warnings



**NOTE:** Please read and comply with these original instructions prior to the initial operation of your appliance and store them for later use or subsequent owners. Apart from the notes contained herein the general safety provisions and rules for the prevention of accidents of the legislator must be observed. Warnings and notes that are attached on the appliance provide important notes for the safe operation.

## Hazard levels

**DANGER:** Pointer to immediate danger, if not avoided, which leads to severe injuries or death.

**WARNING:** Pointer to a possibly dangerous situation, if not avoided, which can lead to severe injuries or death.

**CAUTION:** Pointer to a possibly dangerous situation, if not avoided, which can lead to minor injuries.

**ATTENTION:** Pointer to a possibly dangerous situation, which can lead to property damage.

**ATTENTION:** If the supply cord is damaged, it must be replaced by the manufacturer, its service agent or similarly qualified person in order to avoid a hazard.

## Electric components

**DANGER:** Risk of electric shock.

Never touch the mains plug and the socket with wet hands.

Check the power cord with mains Plug for damage prior to every use. Do not use the machine if a supply cord or important parts of the machine are damaged, e.g., safety devices, high pressure hoses, trigger gun.

All current-conducting parts in the working area must be protected against jet water.

The mains plug and the coupling of an extension cable must be watertight and must never lie in water. Moreover, the coupling may never lie on the ground. The use of cable reels that ensure that the sockets are at least 60 mm above the ground is commended.

Make sure that the power cord or extension cable is not damaged by running over, pinching, dragging or the like. Protect the power cords from heat, oil, and sharp edges.

Always switch off the mains disconnecting switch when leaving the appliance unattended.

**WARNING:** The appliance may only be connected to an electric supply that has been installed by an electrician in accordance with IEC 60364.

The appliance may only be connected to alternate current. The voltage must correspond with the type of plate of the appliance.

For safety reasons, we recommend that you operate the appliance only via a residual current device (max. 30mA).

An unsuitable electrical extension cable can be hazardous. Only use an electrical extension cable which has been approved and labeled for this purpose and has an adequate cable cross-section outdoors: 1 - 10 m: 1.5 mm<sup>2</sup>; 10 - 30 m: 2.5 mm<sup>2</sup>

Always fully unreel the extension cable from the cable drum.

# Safety Warnings

## Safe handling

---

**DANGER:** The user must be the appliance as intended. The person must consider the local conditions and must pay attention to other persons in the vicinity when working with the appliance.

Check important components, such as high-pressure hose, hand spray gun and safety installations, for damage prior to every operation. Immediately replace damaged components. Do not operate appliance with damaged components.

The appliance has been designed for use with the cleaning agent supplied or recommended by the manufacturer. The use of the other cleaning agents or chemicals may adversely affect the safety of the appliance.

High-pressure jets can be dangerous if subject to misuse. The jet must not be directed at persons, live electrical equipment, or the machine itself.

Do not direct the jet against yourself or others in order to clean clothes or footwear.

Do not use the appliance within range of persons unless they wear protective clothing.

Wear appropriate Personnel Protection Equipment (PPE) while operating the appliance.

**WARNING:** The appliance must not be operated by children or untrained personnel.

This appliance is not intended for use by persons (including children) with reduced physical, sensory, or mental capacities, or lacking experience and knowledge.

Children must not play with this appliance.

Supervise children to prevent them from playing with the appliance.

Create stability for the appliance prior to any work on or with the appliance to prevent accidents damage.

The water jet that is emitted from the high-pressure nozzle results in a repulsion power acting on the hand spray gun. Make sure that you have a firm footing and are also holding the hand spray gun and spray lance firmly.

Never leave the appliance unattended as long as it is in operation.

**ATTENTION:** In case of extended breaks, switch the appliance off at the main switch or pull the mains plug.

Do not operate the appliance at temperatures below 0°C

## Other risks

---

**DANGER:** The appliance may not be operated in explosive atmospheres.

Risk of explosion- Do not spray flammable liquids.

Never draw in fluids containing solvents or undiluted acids and solvents! This includes petrol, paint thinner and heating oil. The spray mist is highly inflammable, explosive, and poisonous. Do not use acetone, undiluted acids, and solvents, as they corrode the materials used on the appliance.

Never use the product with inflammable or toxic liquids, or liquids with characteristics incompatible with its proper operation.

Keep packaging films away from children, there is a risk of suffocation!

# Safety Warnings

## Other risks

---

**WARNING:** According to applicable regulations, the appliance must never be used on the drinking water net without a system separator. Ensure that the connection of your building water installation on which the high-pressure cleaner is operated is equipped with a system separator pursuant.

Water that has flown through backflow preventers is considered to be non-potable.

High-pressure hoses, fittings and couplings are important for the safety of the appliance. Only use high-pressure hoses, fittings and couplings recommended by the manufacturer.

To ensure applicable safety, use only original spare parts from the manufacturer or approved by the manufacturer.

Switch the product off and disconnect it from the power supply removing the power plug from the socket outlet before assembly, cleaning, adjustments, maintenance, storage, and transportation or converting the product to another function.

**CAUTION:** Mind the weight of the appliance when selecting the storage location and during transport to prevent accidents or injuries.

Several hours of continuous use of the appliance can lead to numbness in the hands in rare cases.

→ Wear gloves.

→ Keep hands warm.

→ Take breaks at regular intervals when in use and also when working with detergent

**WARNING:** The improper use of detergents can cause severe injuries or oxidation.

- Store cleaning agent away from the reach of children.
- Discharge residual pressure before disconnecting the hose from the product.
- Check before each use, and at regular intervals, that all metal fasteners are tight, and the product's components are in good condition; inspect for broken or worn parts.
- Be aware of kick-back: Hold with Both Hands.

## Residual risks

---

Even if you are operating this product in accordance with all the safety requirements, potential risks of injury and damage remain. The following dangers can arise in connection with the structure and design of this product:

- Health defects resulting from vibration emission if the product is being used over long periods of time or not adequately managed and properly maintained.
- Danger of injury and property damage caused by flying objects.
- Injuries and damage to property due to broken accessories or the sudden impact of hidden objects during use.

## Safety Devices

---

**CAUTION:** Safety installations serve the protection of the user and may not be modified.

# Safety Warnings

## Power switch

---

- The appliance switch prevents unintentional operation of the appliance.

## Safety Lock on the Trigger Gun

---

- The Safety Lock is designed to lock the lever of the Trigger Gun when not in use and prevents the inadvertent start of the appliance. Overflow valve with water that has flowed through backflow preventers is considered to be non-potable.

## Trigger Gun Lever Pressure Switch

---

If the lever on the trigger gun is released the pressure switch turns off the pump, the high-pressure jet is stopped. If the lever of the Trigger Gun is squeezed the pump is turned on again.

## Motor Protection Switch

---

- The motor protection switches off the device if the power consumption is high.

## Personal Protective Equipment

---

**CAUTION:** Always wear protective clothing and safety goggles to protect yourself against splash back containing water or dirt.

- During the use of high-pressure cleaners, aerosols can develop. Inhaling aerosols can cause health damage.
- Depending on the application, completely shielded nozzles (e.g., surface cleaner) that significantly reduce the emission of aqueous aerosols which can be used for high-pressure cleaning.
- The use of such shielding is not possible with all applications.

## Symbols on the machine

---



The high-pressure jet must not be directed at persons, animals, live electrical equipment or at the appliance itself.



The appliance must not be directly connected to the public drinking water network.



Sound power level is 90dB(A)

# Proper Use



## MUST READ, VERY IMPORTANT:

Use this pressure washer for private households only:

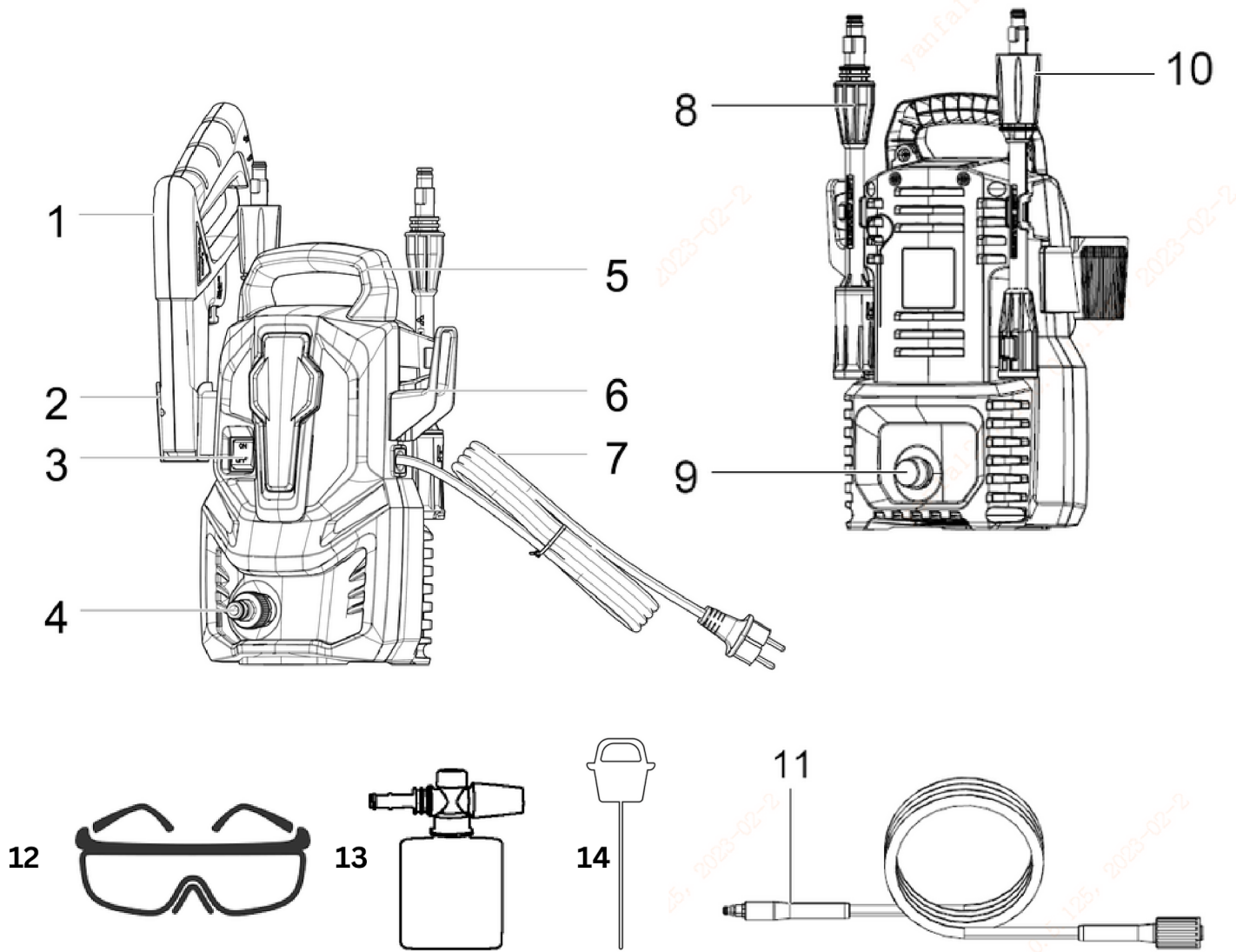
This high-pressure cleaner is designated with a rated input current. The intended use of this product covers the cleaning of vehicles, buildings, terraces, facades, and garden equipment using clean water and biodegradable chemical detergents. Likewise, the product can be used to clean paving slabs or rain gutters.

This product cannot be used to clean clothing, shoes, and other textiles. The water jet should not be directed against persons. Animals, any electrical equipment or on the product itself. Do not flush any objects which contain health hazardous materials. The product must not be run with inflammable, explosive and toxic liquids.

For safety reasons it is essential to read the entire instruction manual before first operation and to observe all the instructions there is.

<b>Voltage</b>	<b>220-240V ~</b>
<b>Frequency</b>	<b>50-60Hz</b>
<b>Watt</b>	<b>1200W</b>
<b>Protection Class</b>	<b>II</b>
<b>Degree of protection</b>	<b>IPX5</b>
<b>Rated pressure</b>	<b>6MPa</b>
<b>Allowable pressure</b>	<b>9MPa</b>
<b>Rated flow</b>	<b>5L/min</b>
<b>Max. flow</b>	<b>6.5L/min</b>
<b>Max. inlet pressure:</b>	<b>1.0MPa</b>
<b>Sound pressure level: Uncertainty:</b>	<b>LpA=76.23dB(A) KpA=3dB</b>
<b>Sound power level: Uncertainty:</b>	<b>LwA=88.38dB (A) KwA==3dB</b>
<b>Vibration value</b>	<b>ah=1.6m/s<sup>2</sup> Kah=1.5m/s<sup>2</sup></b>
<b>Weight</b>	<b>4.5Kg</b>

# Parts/Features



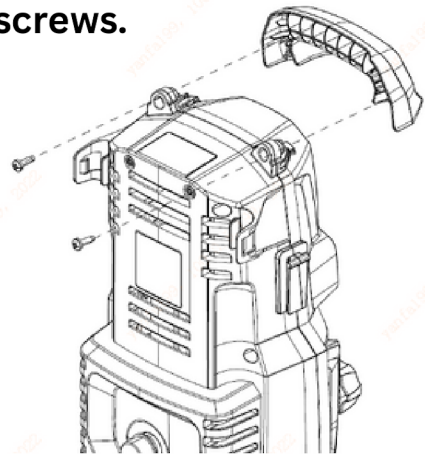
- 1. Trigger gun
- 2. Trigger gun holder
- 3. Power switch OFF/ON
- 4. Water inlet
- 5. Handle
- 6. Power cord hook
- 7. Power cord

- 8. Spray wand
- 9. Water outlet
- 10. Spray wand connector
- 11. High-pressure hose
- 12. Safety Goggles
- 13. Spray Detergent Bottle
- 14. Cleaning Tool

# Assembly

## 1. Installing the handle into position with two screws.

- Fit the Handle into position on the top head of the Pressure Washer and lock and secure into place with the 2x provided screws.



## 2. Connecting the Trigger Gun Holder and Power Cord Hook:

- Slide the Trigger Gun Holder (Image 1) and Power Cord Hook (Image 2) into position on each side of the KRAPOF® Mini Max Pressure Washer.

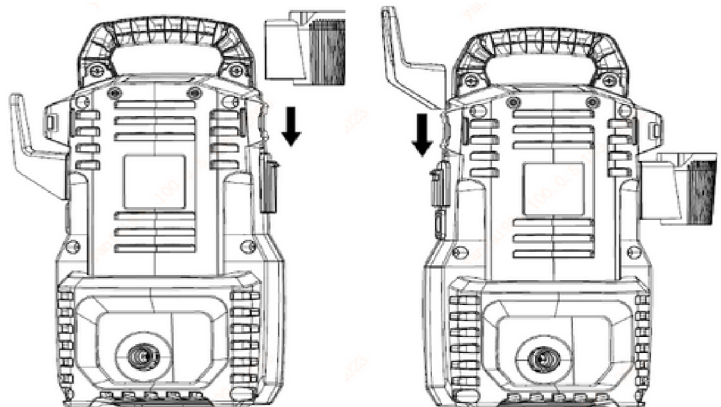
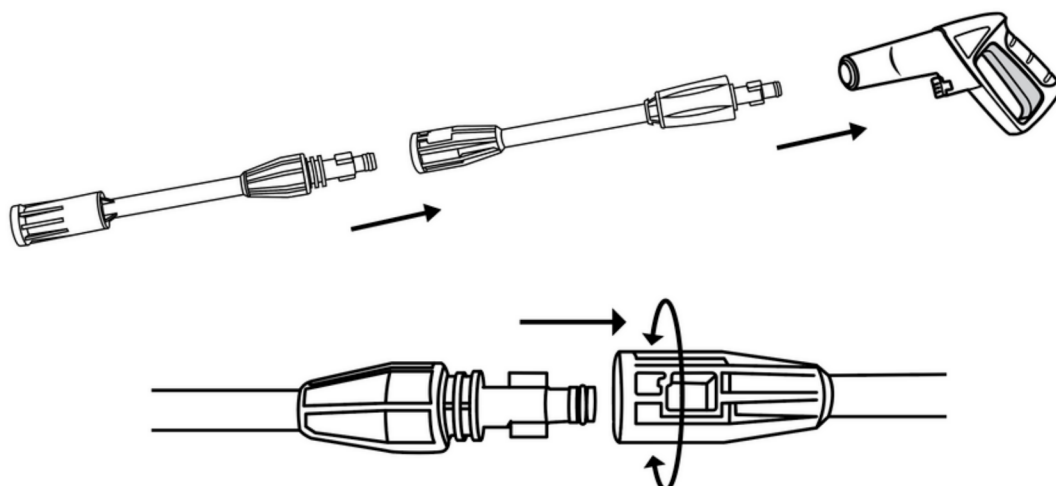


IMAGE 1

IMAGE 2

## 3. Installing the Spray Wand:

- Push the Adjustable Nozzle into the Spray Wand and rotate until both parts are completely locked. Push and rotate these combined sections into the Trigger Gun.

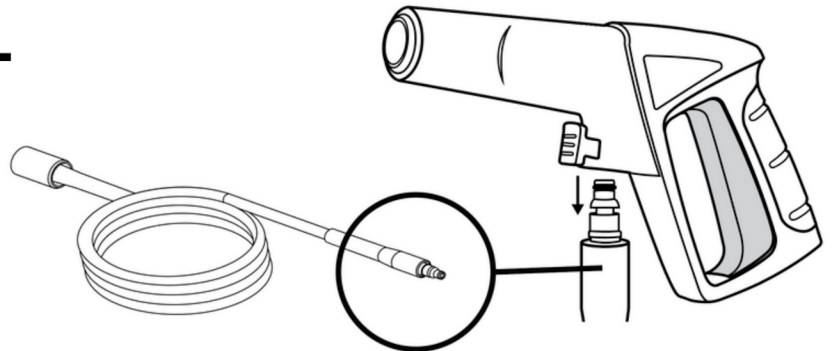




# Assembly

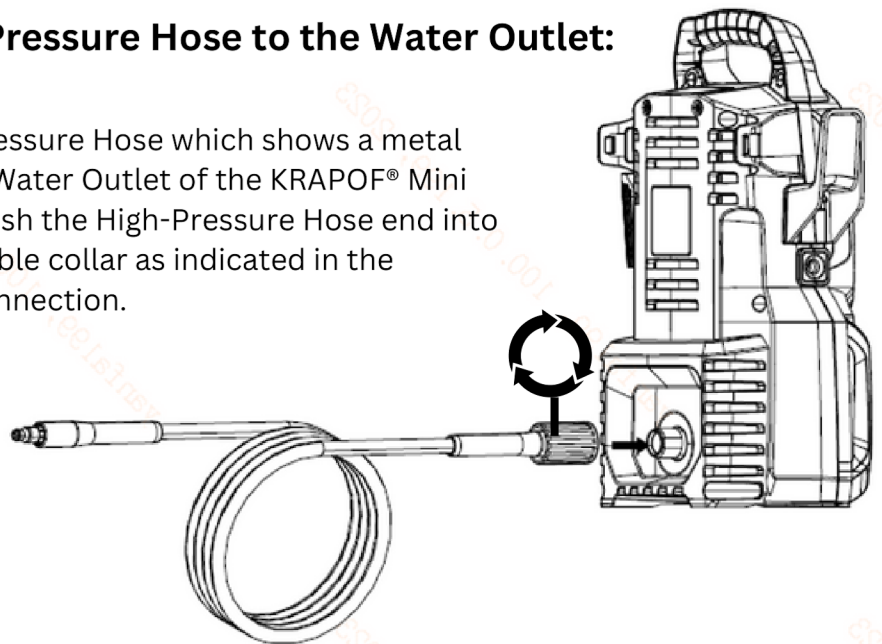
## 4. Connecting the High-Pressure Hose to the Trigger Gun:

- Connect the external silver end of the High-Pressure Hose to the Trigger Gun. Once inserted this will automatically lock into place.



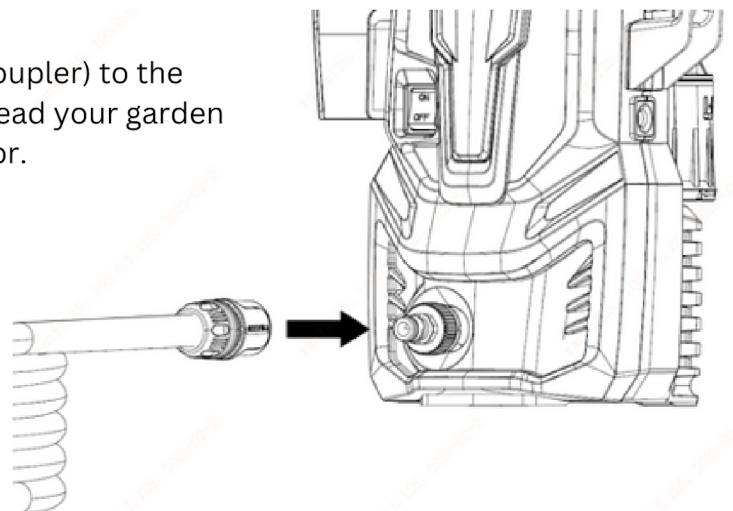
## 5. Connecting the High-Pressure Hose to the Water Outlet:

Connect the end of the High-Pressure Hose which shows a metal fitting and a black collar to the Water Outlet of the KRAPOF® Mini Max Pressure Washer. Firmly push the High-Pressure Hose end into place and twist the black rotatable collar as indicated in the diagram below to secure the connection.



## 6. Connecting the garden hose to the Water Inlet:

Connect the garden hose adaptor (female coupler) to the Water Inlet of the pressure washer, then thread your garden hose (male end) into the garden hose adaptor.



# OPERATION



**WARNING:** Keep away from children!

**CAUTION:** Do not connect to a potable water system.

**CAUTION:** The water supply must not exceed 0.7MPa. The Pressure Washer must only be used with clean water. Any use of unfiltered water containing corrosive chemicals will damage the washer.

**CAUTION:** You must keep a distance of at least 30 cm when using the jet for cleaning painted surfaces to avoid damage.

**CAUTION:** Make sure the off/on switch is set to “OFF/ON” position and insert the plug into a properly installed socket.

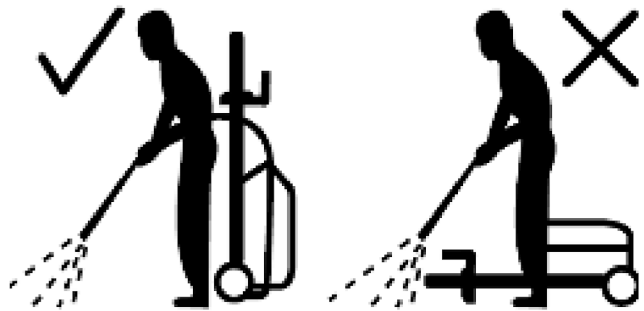
**ATTENTION:** Dry running of more than 2 minutes leads to damage of the high-pressure pump. If the appliance does not build up pressure within 2 minutes, switch the appliance off and proceed in accordance with the instructions in Chapter “Troubleshooting”

## STEP 1:

Place your Pressure Washer on a dry flat surface and plug the power cord into a proper power socket.

**ATTENTION:** The Pressure Washer must be used on a secure and stable surface in a standing, upright position.

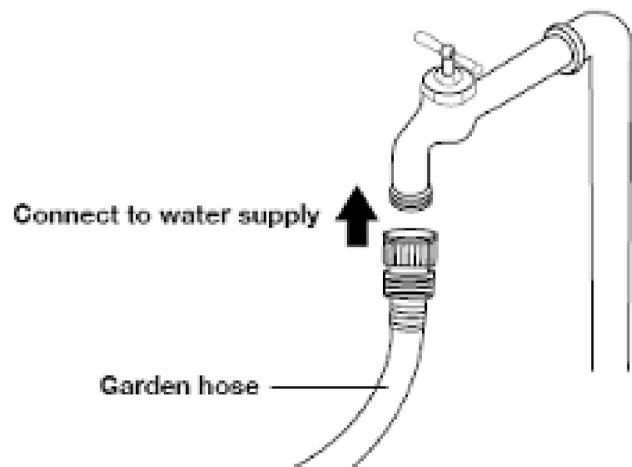
**ATTENTION:** Keep the power cord away from any liquid.



## STEP 2:

Attach the garden hose to water the supply.

**ATTENTION:** Impurities in the water can damage the high-pressure pump and the accessories.



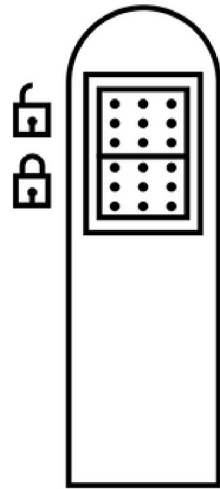
# OPERATION

## STEP 3:

Hold the spray gun with both hands. Direct the nozzle of the chosen accessory away from you towards the surface to be cleaned.

## STEP 4:

Release the Safety Lock located on the bottom of the Trigger Gun, then squeeze the lever Trigger Gun to allow air to escape and discharge residual pressure in the hose. Let the device run (max. 2 minutes) until the water exits the trigger gun without bubbles. Now release the Trigger lever.



**Under View  
for safety lock**

## STEP 5:

Turn the power socket ON and turn on the appliance by pushing the power switch button on the unit to “ON.”

## STEP 6:

Hold the spray gun with both hands. Direct the Trigger Gun and chosen accessories towards the object to be cleaned and squeeze the trigger.

**WARNING:** Never face the Trigger Gun towards you.

## STEP 7:

Release the lever of the Trigger Gun; the device will switch off again and stop the water jet. High pressure remains in the system.

## STEP 8:

Once you have finished cleaning. Turn the unit “OFF” at the Adjust Switch and unplug the power cord from wall socket and turn “OFF”.



**WARNING!** Beware of kickback when pressing the trigger!

# Operation with Detergent



**DANGER:** When using detergents, the material data safety sheet issued by the detergent manufacturer must be adhered, especially the instructions regarding personal protective equipment.

Detergent can only be added when the device is operated in low pressure mode.

## Operation:

### STEP 1:

Remove the cap of the clean detergent bottle. Gently pull the onboard detergent tank out of its storage position.

### STEP 2:

Fill the tank with detergent designed specifically for use with pressure washers.

### STEP 3:

Push the detergent bottle with the opening pointing downwards into the connection for the hose clean detergent.

## Recommended Cleaning Method:

### STEP 1:

Spray the detergent sparingly on the dry surface and allow it to react, but not to dry.

### STEP 2:

Spray off loosened dirt with the high pressure met.

## After Operation with detergent:

### STEP 1:

When you have finished using the Pressure Washer, you must remove the detergent bottle from the Trigger gun, then drain the residual detergent and rinse the Detergent Bottle with clean water.

### STEP 2:

For storage, put the detergent bottle into the retainer with the cap pointing up.

# After using your Pressure Washer



**WARNING:** Keep away from children. This is not a toy.

**WARNING:** When disconnecting the supply or high-pressure hose, warm water may leak from the connection after operation.

**WARNING:** Risk of personal injury or damage! Consider the weight of the appliance during transportation and storage. Transport via the Handle designed on the KRAPOF® Mini Max Pressure Washer.



**Note:** Ensure you completely drain the appliance and accessories to protect them from being destroyed by frost.

## STEP 1:

On a flat surface after cleaning, switch the power switch to “OFF” and turn off the water supply tap. Turn the power socket to “OFF” and remove the power cord.

## STEP 2:

Only separate the high-pressure hose from the Trigger Gun when there is no pressure in the system. To do this squeeze the Trigger Gun continuously and water will continue to come through the Spray Wand. The process of releasing the pressurized water is completed once no more water is being released. Detach the appliance from the water supply.

## STEP 3:

Once pressure is released, lock the Trigger Gun safety lock. The Pressure Washer can now be disassembled.

## STEP 4:

Push the disconnect button on the Trigger Gun and pull the High-Pressure Hose out of the Trigger Gun.

## STEP 5:

Detach both Spray Wands from the Trigger Gun and place each item in its allocated storage space on the KRAPOF® Mini Max Pressure Washer.

## STEP 6:

Coil the Pressure Hose and hang it over the hose storage.

## STEP 7:

Store the Power Cord on the Power Connector Hook of the KRAPOF® Mini Max Pressure Washer.

# After using your Pressure Washer

## STEP 8:

Ensure you follow the below steps on how to store your KRAPOF® Mini Max Pressure Washer.



**Note:** Always store the pressure cleaner, parts, and accessories in a place that is inaccessible to children. The ideal storage temperature is between 10°C and 30°C. Store the KRAPOF® Mini Max Pressure Washer indoors to prevent the water in the unit from expanding under freezing conditions.

- We recommend using the original package for storage or covering the product with a suitable cloth or enclosure to protect it against dust. Store in a frost-free room.
- Prior to extended storage periods, during the winter, observe the instructions in the care section.

## Care and maintenance



**DANGER:** Risk of electric shock.

**DANGER:** Ensure that the unit is completely switched “OFF” and not plugged in to any wall socket prior to all work on the appliance.

### High pressure hose

The high-pressure hose is specially constructed with reinforced walls it can be easily damaged and should be stored carefully.

- Do not kink.
- Do not drive vehicles over the hose.
- Do not expose the hose to sharp edges or corners. Misuse will lead to ballooning or premature failure and will invalidate warranty.

### Clean the sieve in the water connection.

#### STEP 1:

Clean the sieve in the water connection regularly.

#### STEP 2:

Remove coupling from the water connection, and rinse with warm water to prevent any clogging the within the pump.

# Care and Maintenance

## STEP 3:

Remove the spray wand from the gun. Remove any dirt from the nozzle hole and rinse.

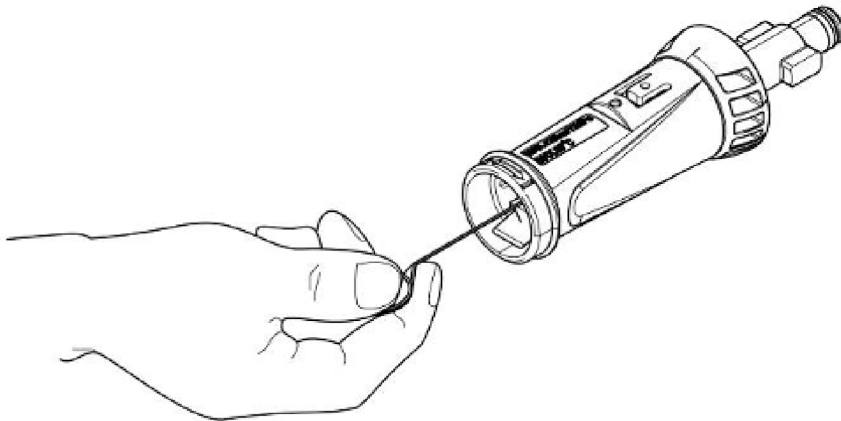
## STEP 4:

Clean the nozzle with the needle clean-out tool provided.



### ATTENTION:

- The sieve must not be damaged.
- Pull the sieve out using flat pliers.
- Clean the sieve under running water.
- Reinsert the sieve into the water connection.



# Troubleshooting



**DANGER:** Risk of electric shock.  
**WARNING:** Keep away from children.

On a dry flat surface turn OFF the appliance and disconnect the electrical power supply before carrying out any user maintenance or checking if it is functioning correctly. To avoid unnecessary disappointments, you should check the following before contacting the service organization. If in doubt, please consult your local distributor.

Symptom	Cause	Recommended action
Machine refuses to start	<ul style="list-style-type: none"> <li>- Machine not plugged in</li> <li>- Defective socket</li> <li>- Fuse has blown</li> <li>- Defective extension cord</li> </ul>	<ul style="list-style-type: none"> <li>- Plug in machine</li> <li>- Try another socket</li> <li>- Replace fuse. Switch off other machines</li> <li>- Try without the extension cord</li> </ul>
Fluctuating pressure	<ul style="list-style-type: none"> <li>- Pump sucking air</li> <li>- Valves dirty, worn out or stuck.</li> <li>- Pump seals worn out</li> </ul>	<ul style="list-style-type: none"> <li>- Check that the hoses and connections are airtight</li> <li>- Clean and replace or refer to local distributor</li> </ul>
Machine stops	<ul style="list-style-type: none"> <li>- Incorrect mains voltage</li> <li>- Thermal sensor activated</li> <li>- Nozzle partially blocked</li> <li>- Fuse has blown</li> </ul>	<ul style="list-style-type: none"> <li>- Check that the mains voltage corresponds to specification on the model tag</li> <li>- Leave the washer for 5 minutes to cool down</li> <li>- Clean the nozzle</li> </ul>
Machine pulsating	<ul style="list-style-type: none"> <li>- Air in inlet hose</li> <li>- Inadequate supply of mains water</li> <li>- Nozzle partially blocked</li> <li>- Water filter blocked</li> <li>- Hose kinked</li> </ul>	<ul style="list-style-type: none"> <li>- Allow machine to run with open trigger until regular working pressure resumes.</li> <li>- Check that the water supply corresponds to specifications required</li> <li>- Avoid using long, thin hoses (min. 1/2").</li> <li>- Clean the nozzle</li> <li>- Clean the filter</li> <li>- Straighten out hose</li> </ul>
Machine starts, but no water comes out	<ul style="list-style-type: none"> <li>- The pump/ hose or accessory is frozen</li> <li>- No water supply</li> <li>- Water filter blocked</li> <li>- Nozzle blocked</li> </ul>	<ul style="list-style-type: none"> <li>- Wait for the pump/ hose or accessory to thaw</li> <li>- Connect the water inlet</li> <li>- Clean the filter</li> <li>- Clean the nozzle</li> </ul>



# KLEVA®



## MINI PRESSURE WASHER



## SCAN ME

For helpful tips and how to videos



Model: - MINIKPW1200

## KLEVA RANGE®

🌐 [www.klevarange.com.au](http://www.klevarange.com.au)

☎ 02 9387 4100

✉ [enquiries@klevarange.com.au](mailto:enquiries@klevarange.com.au)

📍 Suite 301 / 209 Oxford St

Bondi Junction NSW 2022 Australia

GENUINE  
KLEVA  
QUALITY



KleVA® is a registered trade mark  
of Take Two Marketing and Events Pty Ltd.