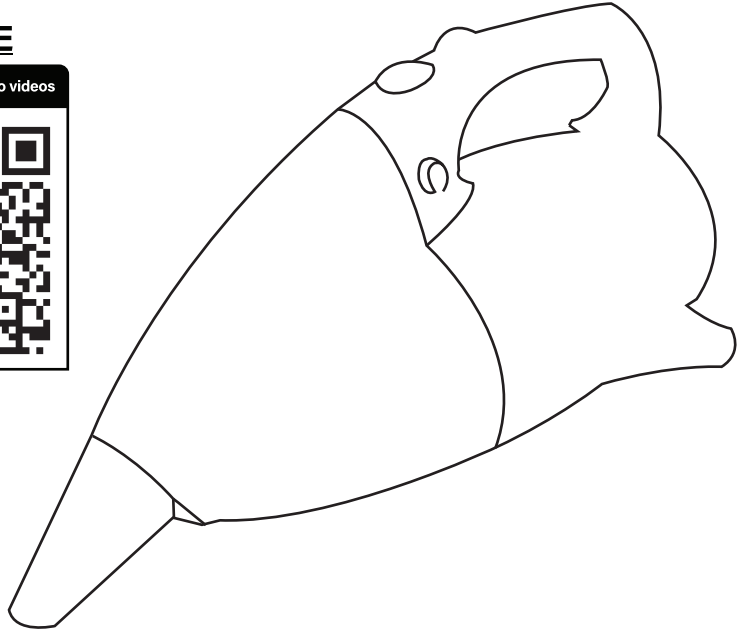


KLEVA®



2 IN 1 STRAP VAC & BLOW

SCAN ME



TECHNICAL SPECS

MODEL NAME	KRAPOF 2 IN 1 STRAP VAC & BLOW
SKU	KRAPVACB-02
VOLTAGE:	220-240V, 50/60Hz
POWER:	600W
CORD LENGTH	4.0M

USER MANUAL

Please read this **User Guide** carefully before use and keep for future guidance.

WARNINGS

PLEASE READ THIS IMPORTANT INFORMATION CAREFULLY BEFORE YOU USE THE APPLIANCE AND SAVE IT FOR FUTURE REFERENCE

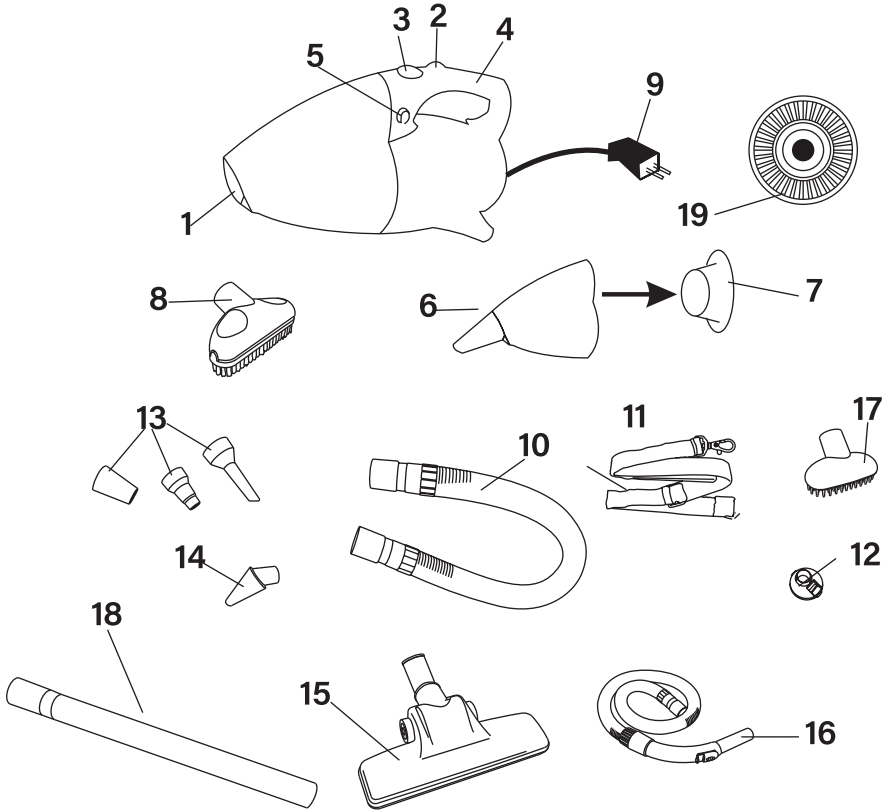


▲ DANGER
Live Parts
Within

CAUTION: The vacuum cleaner handle contains electrical connections; the handle is not a serviceable part.

- This appliance is not intended for use by persons (including children) with reduced physical, sensory or mental capabilities, or lack of experience and knowledge, unless they have been given supervision or instruction concerning use of the appliance by a person responsible for their safety.
- Children should always be supervised to ensure that they do not play with the appliance.
- If the supply cord is damaged, it must be replaced by the manufacturer, its service agent or similarly qualified persons in order to avoid a hazard.
- This appliance is not intended for use by persons (including children) with reduced physical, sensory, or mental capabilities, or lack of experience and knowledge, unless they have been given supervision or instruction concerning use of the appliance by a person responsible for their safety.
- This appliance is intended to be used in households and similar applications such as:
 - Staff kitchen areas in shops, offices, and other working environments.
 - Farmhouses
 - By clients in hotels, motels, and other residential type environments.
 - Bed and breakfast type environments.
- Misuse of the Vacuum could result in injury.
- Do not operate any appliance with damaged cord or plug, or after appliance has been dropped or damaged in any way. Return the appliance to the nearest authorized service facility for examination, repair or electrical or mechanical adjustment or contact the place of purchase.
- To protect against the risk of electrical shock, do not put cord, plug, base, or motor in or near water or other liquid.
- Always unplug from outlet when not in use before cleaning.
- Avoid contact with moving parts.
- Do not use outdoors or for commercial purpose, this appliance is for household use only.
- Do not let cord hang over edge of table or counter.
- Always make sure the appliance is properly & completely assembled before operating.
- The use of accessory attachments not recommended by the appliance manufacturer may result in fire, electric shock, or injury to persons.
- Never leave appliance unattended when in use.
- Do not pull, twist, or otherwise abuse the power cord.

PARTS BREAKDOWN



1. Dust Compartment Opening
2. Shoulder Strap Attachment
3. Power Switch
4. Handle
5. Dust Compartment Release Button
6. Dust Compartment
7. Dust Filter
8. Upholstery Brush Head
9. Power Cord
10. Short Hose
11. Shoulder Strap
12. Blower Cover
13. 3pcs Blowing Attachments
14. Crevice Nozzle
15. Carpet Brush
16. Long Hose
17. Pet Brush Head
18. Chrome Telescopic Extension Pole
19. Blower Filter

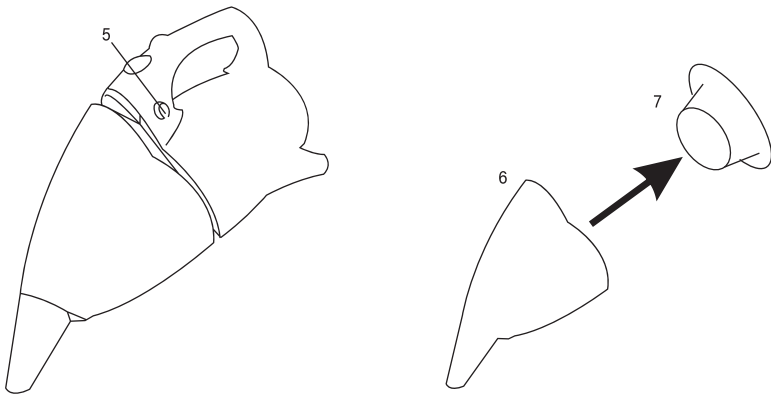
HOW TO ASSEMBLE

IMPORTANT: ALWAYS UNPLUG THE UNIT FROM THE ELECTRICAL OUTLET BEFORE OPENING THE DUST COMPARTMENT(6).

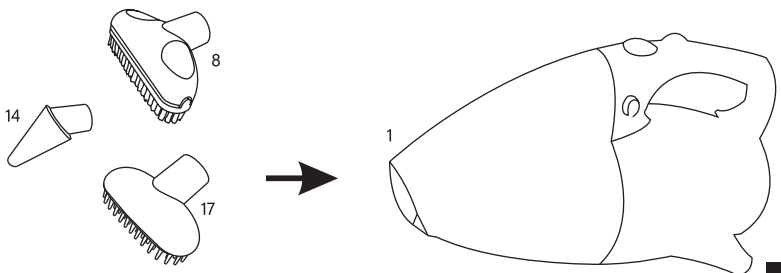
Note: The Dust Filter(7) must be used when operating the Krapof 2 in 1 Strap Vac & Blow

1. To open the Dust Compartment(6) keep the unit upright on a flat surface. Push and hold the Button(5) located on the left hand side of the handle. Take your other hand and slide the Dust Compartment(6) away from the handle.

2. To close the Dust Compartment(6) keep the unit upright on a flat surface. Check that the Dust Filter(7) is placed, flat side down, onto the body of the vacuum cleaner. Push and hold the Button(5) to reattach the Dust Compartment(6) to the Turbo 2 in 1 Krapof Vac and Blow. Once attached it will click into place.

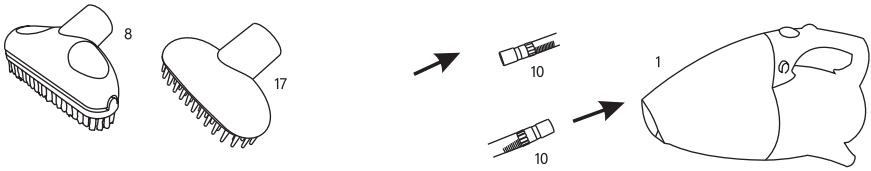


3. To attach the Upholstery Brush Head(8), Crevice Nozzle(14) and Pet Brush Head(17) to the vacuum cleaner, push the attachment into the Dust Compartment Opening(1).



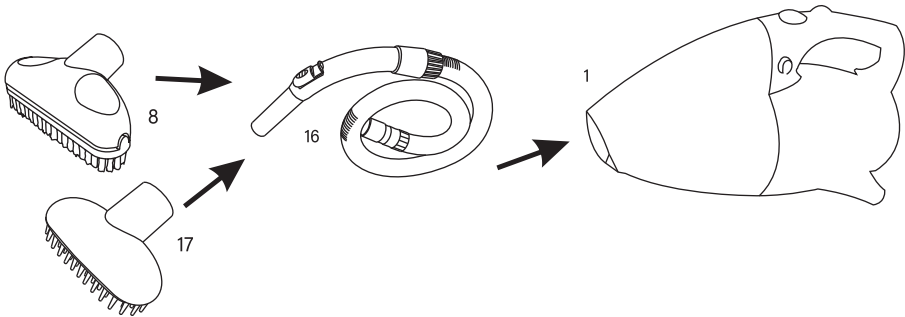
HOW TO ASSEMBLE

4. To use the Short Hose(10), push one end of the hose into the Dust Compartment Opening(1). Attach the desired Brush Head(8 & 17) to the other end of the Short Hose(10).

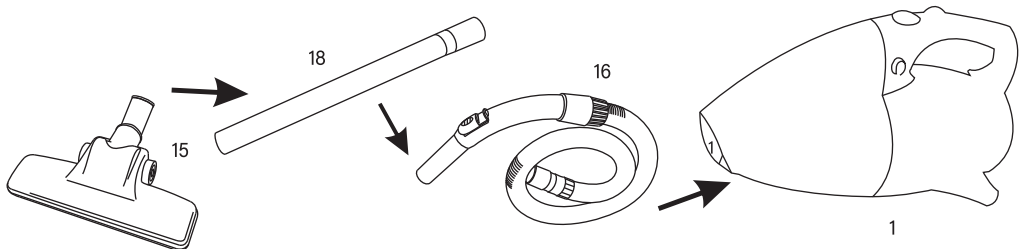


5. To use the Long Hose(16), push the ridged end of the hose into the Dust Compartment Opening(1).

6. Attach head attachment Upholstery Brush Head(8) or Pet Brush Head(17) to the nose of the Long Hose(16).



7. To extend the long Hose(16), attach the Chrome Telescopic Extension Pole(18) by inserting the wider end into the Carpet Brush(15) attachment.



HOW TO OPERATE

NOTE: ENSURE THAT YOU ALWAYS USE THE BLOWER FILTER (19) WHEN YOU ARE USING THE VACUUM FUNCTION AND THAT IT IS LOCKED INTO PLACE.

WARNING: KEEP AWAY FROM CHILDREN. PLEASE NOTE THIS IS NOT A TOY, ANY SORT OF MISUSE CAN CAUSE SERIOUS INJURY .

1. Plug the Power Cord into a wall socket and switch the socket on.

Warning: Keep away from any liquids or water.

2. Hold the KRAPOF 2 in 1 Strap Vac & Blow Handle(4) firmly in your hand.

3. To turn the power on, push the 'O' on the Power Switch(3) which is located on the Handle(4).

4. Begin vacuuming.

5. To turn the power off, push the 'I' on the Power Switch(3) which is located on the Handle(4).

Vacuum Storage Bags

WARNING: KEEP AWAY FROM CHILDREN. PLEASE NOTE THIS IS NOT A TOY, ANY SORT OF MISUSE CAN CAUSE SERIOUS INJURY .

1. Add your clothes into the Storage Bag opening and close the bag and unscrew the cap on the Storage Bag opening.

2. View Page 5 "How to Operate" to read the steps on how to turn on the unit.

3. Connect the Short Hose (10) into the Dust Compartment Opening (1).

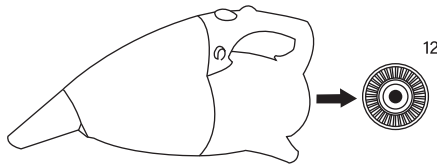
4. Place one end of the Short Hose on the circular opening of the storage bag and ensure that it is placed flat on the circular opening with no gaps (Note: If there are gaps whilst the vacuum suction process it will allow air to get out).

5. Once you have finished Vacuum suctioning the storage bag, ensure that you close the circular storage bag opening with the cap.

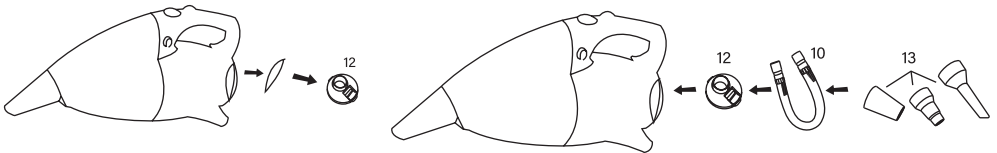
6. Once you have finished using the KRAPOF 2 in 1 Strap Vac and Blow unplug the power cord from the power outlet.

CHANGING THE BACK BLOWER COVER

1. To remove the Vacuum Blower Filter(19), push the clip towards the centre of the filter to release the filter from the KRAPOF 2 in 1 Strap Vac & Blow.
2. To remove dust, you may shake the filter lightly or clean in soapy water.
3. To change to the Blower Cover(12), push the clip towards the centre of the attachment. Whilst holding the clip, place the outward lip into the Turbo 2 in 1 Krapof Vac and Blow and release the clip once



4. Once the Blower Cover(12) has been inserted into the KRAPOF 2 in 1 Strap Vac & Blow, you will be able to use the 3pcs Blowing Attachments(13).



MULTI FUNCTION BACK BLOWER

CAUTION: THE KRAPOF 2 IN 1 STRAP VAC & BLOW IS A VERY POWERFUL UNIT. PLEASE BE SURE TO HOLD IT FIRMLY OTHERWISE IT MAY SLIP OUT OF YOUR HAND AND CAUSE INJURY TO BODY.

WARNING: THIS IS NOT A TOY KEEP AWAY FROM CHILDREN.

1. Hold the KRAPOF 2 in 1 Strap Vac & Blow Handle(4) firmly in your hand.
2. To turn the power on, push the 'O' on the Power Switch(3) which is located on the Handle(4).
3. Blow either the wet surface or materials away.
4. To turn the power off, push the 'I' on the Power Switch(3) which is located on the Handle(4).

CHANGING & CLEANING THE DUST FILTER

IMPORTANT: ALWAYS UNPLUG THE POWER CORD FROM THE ELECTRICAL OUTLET BEFORE OPENING THE DUST COMPARTMENT(6). KEEP POWER CORD AWAY FROM WATER (9).

1. To open the Dust Compartment(6) keep the unit upright on a flat surface. Push and hold the button(5) located on the left hand side of the handle. Take your other hand and slide the Dust Compartment(6) away from the handle.
2. Collect the Dust Filter(7) and turn it upside down to show the flat side of the filter.
3. Turn the handle on the flat side of the Dust Filter(7) anticlockwise to reveal only the outer part of the filter. Remove the Hepa Filter and filter bracket before washing. Before washing, tap the filter lightly to remove any excess dust and debris. Wash the dust compartment, filter, and filter tray separately.
4. To clean the dust from the Dust Filter(7), lightly rinse in cold water. Wash by hand only and only use water. Do not use any soap or detergent. Do not use any appliances or brushes to clean the filter parts.
5. Allow the filter to fully dry before placing it back into the Dust Compartment(6).
6. Place the unit upright on a flat surface and carefully place the Dust Filter(7), flat side down, back into the Dust Compartment(6).
7. Push and hold the button(5), located on the left hand side of the handle, to reattach the Dust Compartment(6) to the KRAPOF 2 in 1 Strap Vac & Blow. Once attached it will click into place.



Attention: The Duster Filter (7) is a Hepa Filter and depending on use, requires a filter change every 4-6 months.

CAUTION: THE DUST COMPARTMENT(6) MUST BE OPEN AND FREE OF ANY OBSTRUCTIONS AT ALL TIMES. OTHERWISE THE MOTOR WILL OVERHEAT AND MAY GET DAMAGED.

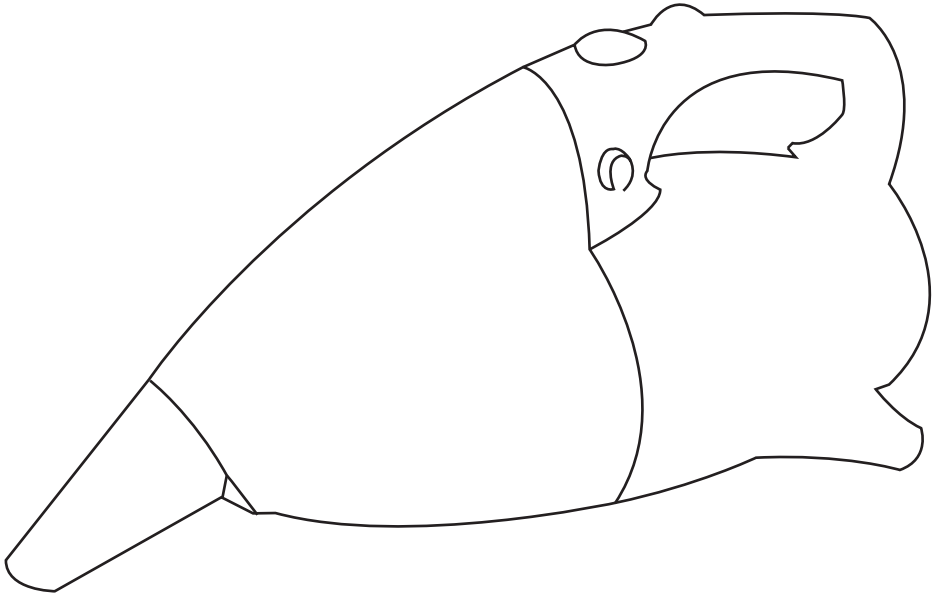
TROUBLESHOOTING GUIDE

PROBLEM	POSSIBLE REASON	POSSIBLE SOLUTION
VACUUM WILL NOT OPERATE	<ol style="list-style-type: none">1. Power cord not firmly plugged into outlet.2. No power in the wall outlet.	<ol style="list-style-type: none">1. Plug the power cord (9) firmly in into the power outlet source, if the unit is still not operating try plugging the power cord into another power outlet.2. Get in touch with the Kleva Range Team.
VACUUM WILL NOT PICK-UP OR SUCTION POWER IS WEAK	<ol style="list-style-type: none">1. Dust Filter is full.2. Unit is clogged.3. Dust Filter needs cleaning.	<ol style="list-style-type: none">1. Empty Dust Filter (see page 6).2. Turn the unit off and unplug from the wall outlet. Remove Dust Filter and remove any dust/particles from the filter.3. Clean or replace Dust Filter (see page 6).
DUST ESCAPING FROM HANDY VACUUM	<ol style="list-style-type: none">1. Dust Filter is full.2. Dust Filter is not installed correctly.3. Puncture hole in the Dust Filter.	<ol style="list-style-type: none">1. Empty Dust Filter (see page 6)2. Follow instructions as per page 6.
VACUUM HOSE OR BRUSHES WILL NOT PICK-UP	<ol style="list-style-type: none">1. The hose is clogged.2. Dust Filter is full.	<ol style="list-style-type: none">1. Remove hose and/or brushes.2. Remove attachment from hose.3. Empty and clean Dust Filter (see page 6).

KLEVA®



2 IN 1 STRAP VAC & BLOW



CAUTION: The vacuum cleaner handle contains electrical connections; the handle is not a serviceable part.

- Children should always be supervised to ensure that they do not play with the appliance.

KLEVA RANGE®

🌐 www.klevarange.com.au

☎ 02 9387 4100

✉ enquiries@klevarange.com.au

📍 Suite 301 / 209 Oxford St

Bondi Junction NSW 2022 Australia

**GENUINE
KLEVA
QUALITY**



Kleva® is a registered trademark
of Take Two Marketing and Events Pty Ltd.