

KLEVA®

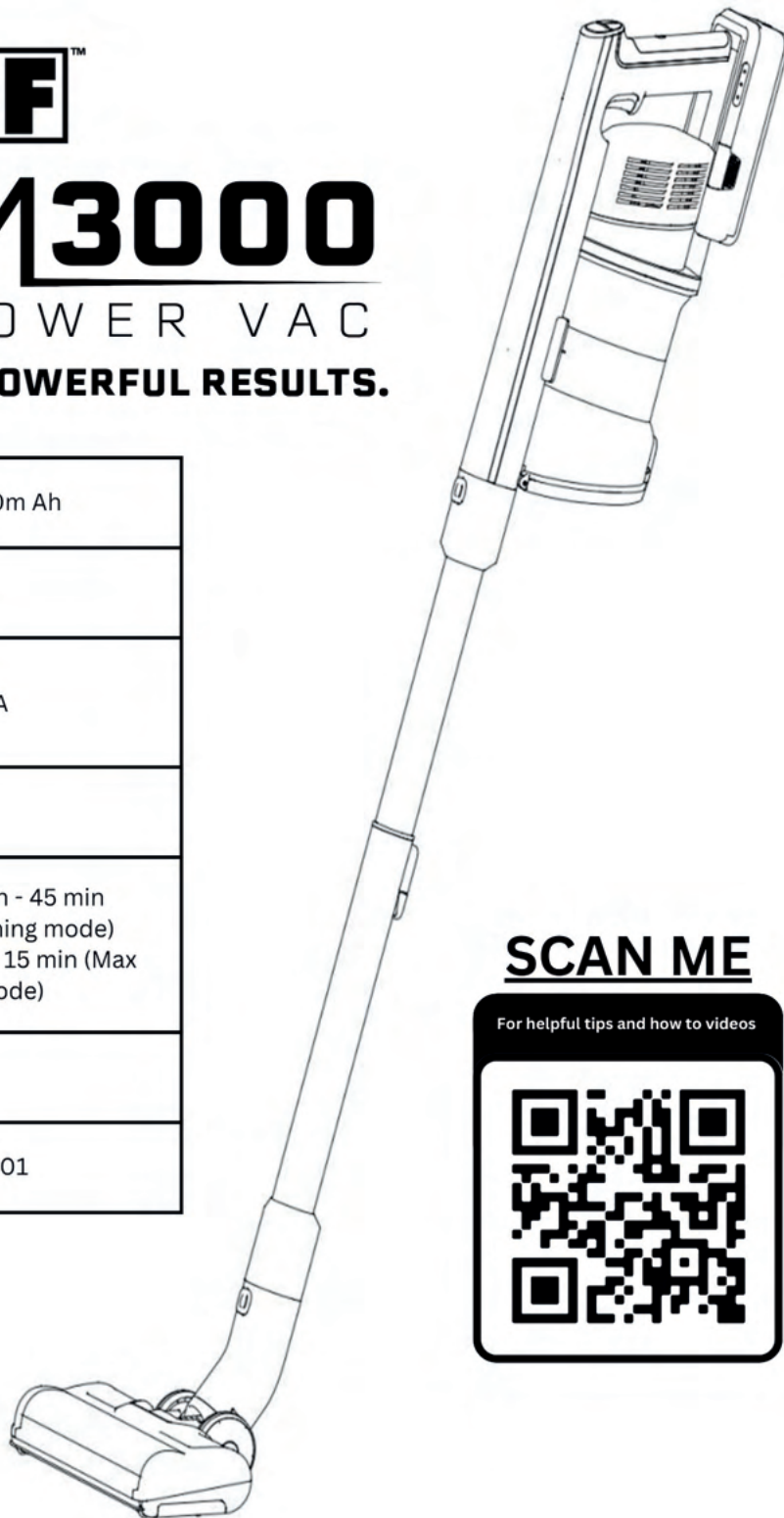
KKRAPOF™

SLIM3000

POWER VAC

EFFORTLESS CLEANING POWERFUL RESULTS.

Battery	29.6V/2200m Ah
Charging Period	4.5 hours
Battery Charger Output	35V/500mA
Net weight	2.5kg
Usage Time	MIN: 40 min - 45 min (Daily cleaning mode) MAX: Up to 15 min (Max cleaning mode)
Power	350w
Model Number	KSLIMVAC-01



SCAN ME

For helpful tips and how to videos



USER MANUAL

Please read this **User Guide** carefully before use
& keep it handy for future reference.

SAFETY WARNINGS



Read the operating instructions carefully and especially observe the safety information. If you do not follow the safety instructions and information on proper handling in this manual, we assume no liability for any resulting personal injury or damage to property. Such cases will invalidate the warranty/guarantee.

IMPORTANT GENERAL USE:

- This appliance is not intended for use by persons (including children) with reduced physical, sensory or mental capabilities, or lack of experience and knowledge, unless they have been given supervision or instruction concerning use of the appliance by a person responsible for their safety.
- Children should be supervised to ensure that they do not play with the appliance.

a) General use:

- To avoid fire, explosion or injury, inspect the battery pack and charger for any damage before use. **DO NOT** use vacuum with a damaged battery pack or charger.
- If handheld vacuum/wand is damaged, discontinue use.
- **DO NOT** use outdoors or on wet surfaces. Use only on dry surfaces.
- Ensure the whole unit, battery and charging cord **DOES NOT** come in contact with any liquids and is always kept away from any liquids at all times.
- **DO NOT** vacuum up hard or sharp objects such as glass, nails, screws, or coins that could damage the vacuum. **DO NOT** vacuum up drywall dust, fireplace ash, or embers. **DO NOT** use it as an attachment to power tools for dust collection.
- **DO NOT** vacuum up smoking or burning objects such as hot coals, cigarette butts, or matches.
- **DO NOT** vacuum up flammable or combustible materials (e.g, lighter fluid, gasoline, or kerosene) or vacuum in areas where they may be present.
- **DO NOT** vacuum up toxic solutions (e.g, chlorine bleach, ammonia, or drain cleaner).
- **DO NOT** use in an enclosed space where vapours are present from paint, paint thinner, moth-proofing substances, flammable dust, or other explosive or toxic materials.
- **DO NOT** vacuum up any liquids.
- **DO NOT** immerse vacuum in water or other liquids.
- Use extra care when cleaning on stairs.
- **DO NOT** handle the charger or vacuum with wet hands.
- When switched on, **DO NOT** leave vacuum unattended.
- Always turn OFF this appliance before connecting or disconnecting the floor nozzle/attachments.

SAFETY WARNINGS

a) General use:

- Use only the KRAPOF™ Slim Vac 3000 recommended chargers and batteries. Other types of batteries may burst, causing injury and damage.
- **DO NOT** incinerate appliances, even if it is severely damaged, as the battery pack may explode in a fire.
- Keep your work area well lit.
- Keep the vacuum moving over the carpet surface at all times to avoid damaging the carpet fibres.
- **DO NOT** place vacuum on unstable surfaces such as chairs or tables.
- **DO NOT** put any objects into openings. **DO NOT** use it with any openings blocked; keep free of dust, lint, hair, and anything that may reduce airflow.
- **DO NOT** allow young children to operate the appliance or use it as a toy. Close supervision is necessary when any appliance is used in children. Care and cleaning shall not be made by children without supervision.
- **DO NOT** use it without a roller, dustbin, and all in place.
- **DO NOT** use it if airflow is restricted; if the air paths or the floor nozzles/attachments become blocked, turn off the vacuum and remove the battery. Clear all obstructions before returning battery to vacuum and powering on again.
- Keep floor nozzles/attachments away from the hair, face, uncovered feet, or loose clothing.
- **DO NOT** charge the battery pack at temperatures below 32°F(0°C) or above 122°F(50°C).
- Store the appliance indoors. **DO NOT** use or store it below -4°F (-20°C). Ensure the appliance is at room temperature before operating.

B) Dustbin, Filters and Accessories:

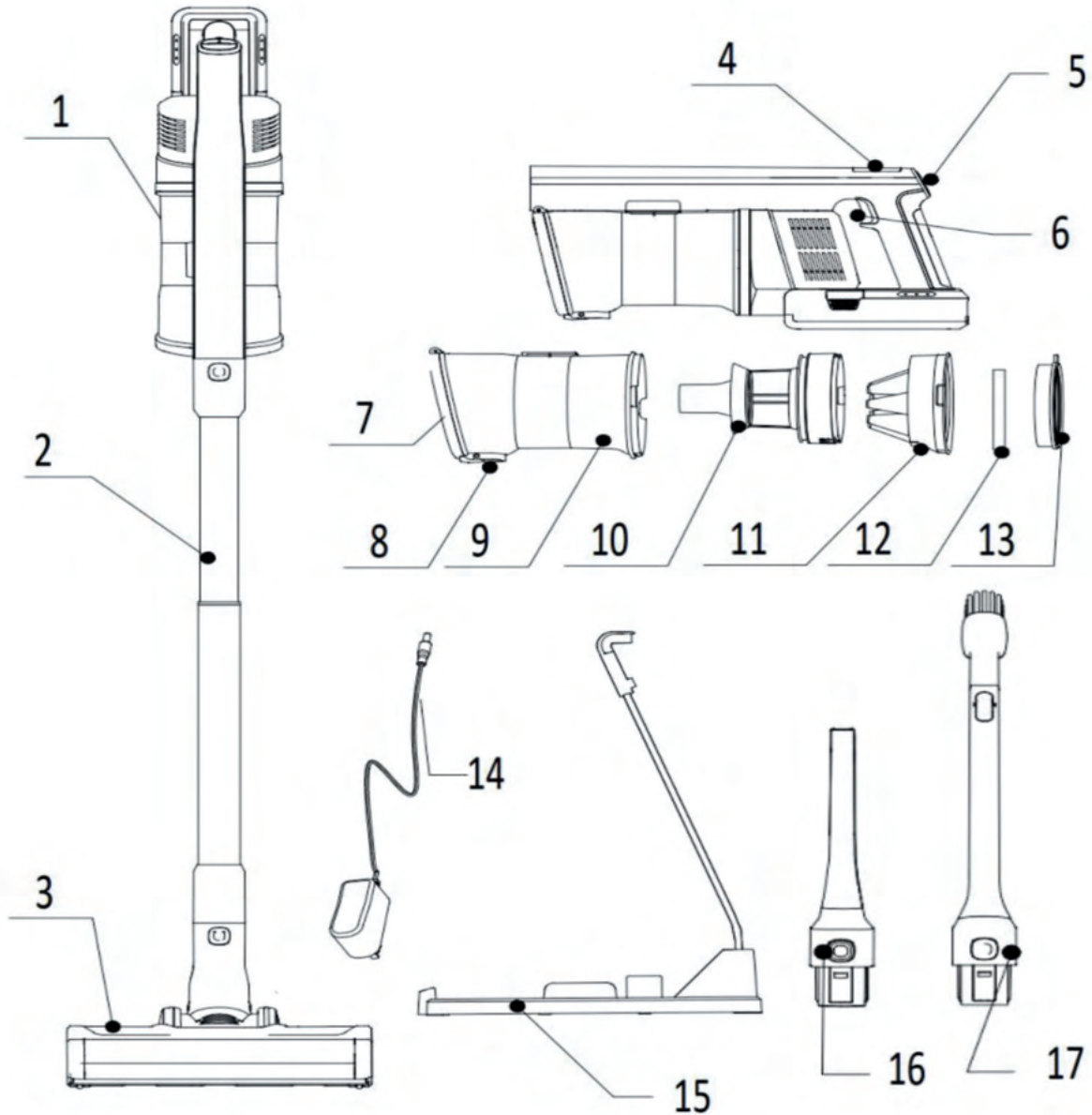
- Before turning on the vacuum:
 - Make sure that all filters are thoroughly dry after routine cleaning.
 - Make sure brush rollers, dustbin, and all are in place after routine maintenance.
 - Make sure accessories are free of block ages and keep openings away from face and body.
- Use only KRAPOF™ Slim Vac 3000 recommended filters and accessories. Using others will void warranty.
- For optimum performance, wash the filter every 2 weeks with water. Otherwise, it may result in poor performance and loss of production. Please replace the filter every 4-6 months, this can be purchased from <https://klevarange.com.au/>

SAFETY WARNINGS

C) Battery Pack:

- The Battery Pack is the power source for the appliance. When the battery pack is installed into the appliance, **DO NOT** carry the appliance around with your finger on the power button. **DO NOT** charge appliances while powered on.
- Ensure the whole unit, battery and charging cord **DOES NOT** come in contact with any liquids and is always kept away from any liquids at all times.
- Disconnect the battery pack from the appliance before making any adjustments or troubleshooting. If the appliance is to be stored unused for a long period, remove the battery pack.
- You **MUST** only use the provided/recommended charger that comes with the KRAPOF™ Slim Vac 3000 to charge. Use of an incorrect charger may create a risk of fire when used with the battery pack.
- Use appliances only with designated battery packs. Use of any other battery packs may create a risk of injury and fire.
- When the battery pack is not in use, keep it away from metal objects, such as paper clips, coins, keys, nails, or screws. Shorting the battery terminals together increases the risk of fire or burns.
- Under abusive conditions, liquid may be ejected from the battery pack. Avoid contact with liquid, as it may cause irritation or burns. If Contact Occurs, flush with water. If liquid contacts eyes, seek medical help immediately.
- Always keep the battery pack away from heated surfaces.
- **DO NOT** expose battery pack or appliance to or temperature above 266°F (130°C) as it may cause an explosion.
- Follow all charging instructions and **DO NOT** charge the battery pack or appliance outside of the temperature range in the instructions. Charging improperly or at temperatures outside of the range may damage the battery pack and increase the risk of life.
- Appliances should only be serviced by repair personnel using only identical replacement parts. To ensure safety **DO NOT** modify or attempt to repair the appliance or battery pack yourself, except as indicated in the instructions for use and care.
- Battery pack should not be stored at temperatures below -4°F (-20°C) or above 113°F (45°C) to maintain long-term battery life.
- Battery pack should not be exposed to or submerged in any water, salt water, or other liquids.

PARTS/FEATURES



- 1. Hand Held Vacuum
- 2. Telescopic Tube
- 3. LED Multi-function Power Brush
- 4. Screen
- 5. Function Button
- 6. Switch Button
- 7. Dustbin Cover
- 8. Dustbin Empty Button
- 9. Dustbin

- 10. Filter Frame
- 11. Cyclone Frame
- 12. Sponge
- 13. Hepa Filter
- 14. Power Adapter
- 15. Storage Base
- 16. Long Crevice Tool
- 17. Telescopic Curtain Brush

1. Accessory Instructions/Assembly

1.1 Telescopic Tube

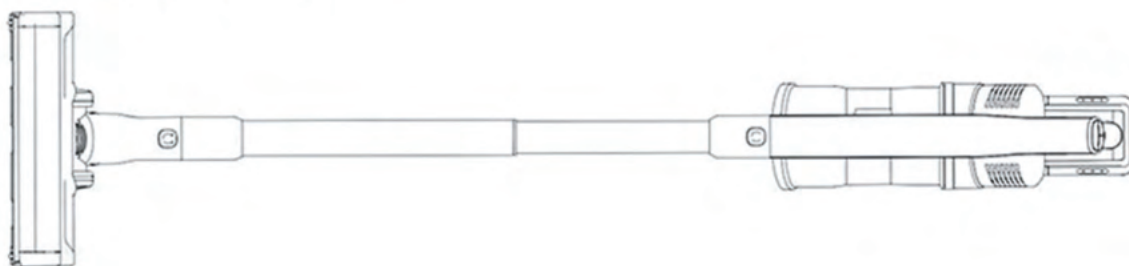
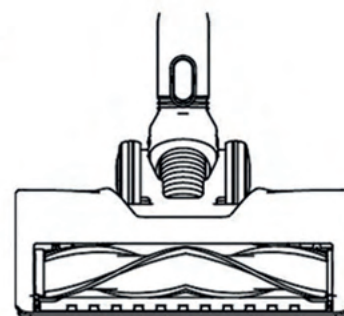
Push down on the black tab located on the bottom of the telescopic tube and pull up to adjust the overall length of the tube to suit your cleaning requirements.



1.2 Full-size LED Multi-function Power Brush:

The built in LED lights provide a bright and focused illumination, making it easier for the powerful suction head to suck up any dust, dirt and debris which is hard to notice. The wide suction head is great for everyday cleaning such as under the couch and in the kitchen.

How to attach: Attach the LED Multi-function Power Brush into the Telescopic Tube, pressing it in until it clicks securely into place. Insert the top of the tube into the handheld vacuum, pressing it in until it clicks securely into place.



1.3 Long Crevice Tool:

The narrow design allows you to clean those tight spaces with precision and speed making it perfect for short reach cleaning. The Crevice Tool is suitable to clean those hard reach areas such as between the sofa cushions, baseboards, interior of your car, window corner and other household appliances/areas.

How to attach: Simply grab the Long Crevice Tool and insert into the open hole of the Handheld Vacuum and you will hear it click into place.



1. Accessory Instructions/Assembly

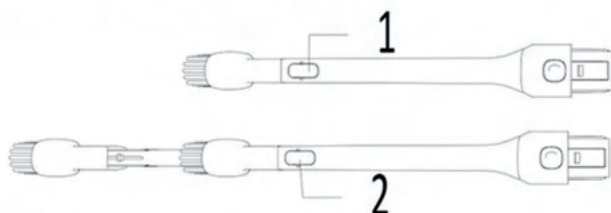
1.4 Telescopic Curtain Brush:

The Telescopic Curtain Brush is designed with a soft bristle brush to remove any dust or debris from a variety of delicate fabrics. This attachment is suitable to clean fluff or animal hair around the couch, curtains, carpets and fabric car chairs. This brush attachment is extendable and is perfect for those hard high reach areas.

1. Image 1: Original brush size.

2. Image 2: Push down on the black tab and pull up on the neck of the brush attachment to extend it's height.

How to attach: Simply grab the Long Crevice Tool and insert into the open hole of the Handheld Vacuum and you will hear it click into place.

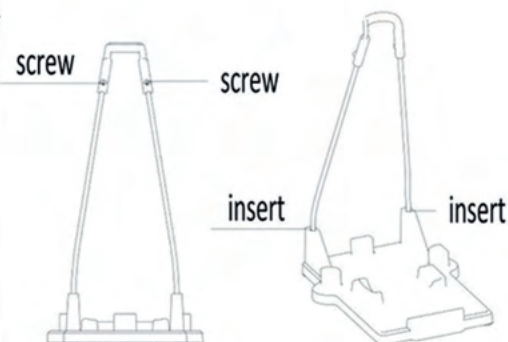


1.5 Storage Base:

Place and position your Slim Vac 3000™ between the gaps of the storage base and lean the chrome pole and upper body between the assembled legs of the base. Follow below instructions for assembly:

Step 1. Insert both metal legs into the bottom of the storage base, making a triangular shape.

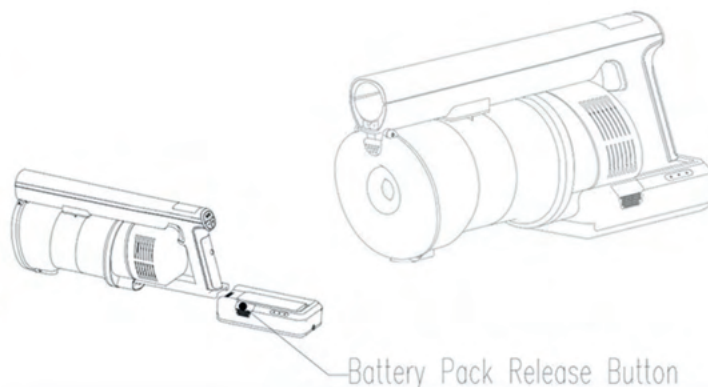
Step 2. Place the cap onto the legs and fix the screws on both holes of the legs and tighten and secure with a screwdriver.



1.6 Battery:

Step 1. Releasing the Battery Pack (Image 1): Press the Battery Pack release Button, then pull the battery Pack out.

Step 2. Inserting the Battery Pack (Image 2): Slide the Battery Pack into the top bottom of the main body. The battery Pack will click into position when correctly fitted.



2. Product Operation



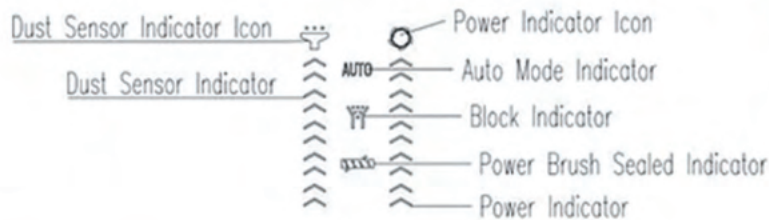
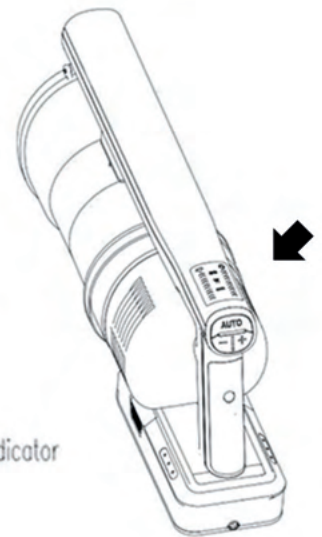
WARNING: KEEP AWAY FROM CHILDREN
WARNING: KEEP AWAY FROM ANY LIQUIDS OR SUNLIGHT

NOTE:

1. Before the first use, please charge the product and keep the battery and unit away from any sunlight or hot areas. Please charge/place it in the environment of 4°C (39.2°F) ~ 40°C (104°F).
2. After being left for 2 hours, charge the battery after it has returned to room temperature.

2.1 How to operate the unit:

- Step 1.** Press the switch button once to start vacuuming;
Step 2. Press the Function button“-“ or “+” to go between MIN mode and MAX mode.
Step 3. Press the Function button “Auto” to use the automatic cleaning mode, the speed will then be adjusted according to the amount of dust.



2.2 Empty The Dustbin

When finished, press the dustbin empty button on the side of the dustbin and empty the dust. (Read page ... to learn how to empty)



2. Product Operation

2.3 Battery Pack Charging Indicator Light & Operation Time

How to charge the battery pack:

Step 1. Remove the battery pack from the Handheld Vacuum.

Step 2. Insert the power adapter into the wall socket and in a dry flat surface away from any liquids or sunlight plug the charging cord into the battery pack.

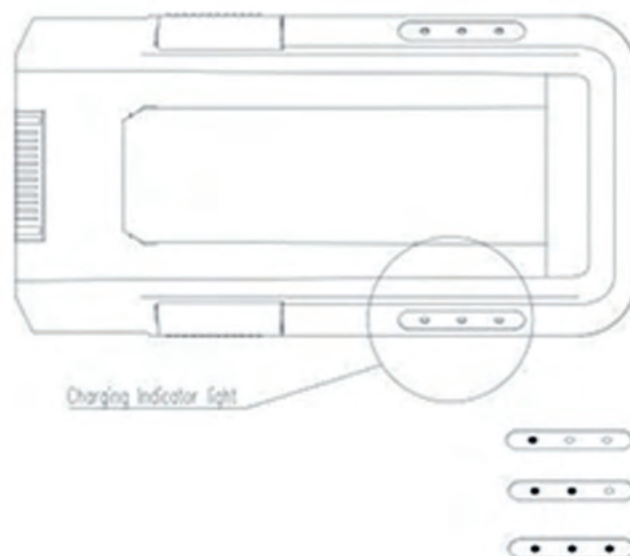
Tip: To avoid being tripped accidentally, please put away the appliance on the powerhouse near-wall during charging.

Remarks: When the machine has just been used, the machine gets a little hot, it is recommended to cool the battery pack before charging.

Charging Time: Charging time takes about 4.5 hours.

1. 1 Solid white lights and other 2 white lights blinking successively: 25% power charged
2. Solid white lights and 1 white light blinking successively: 75% power charged
3. All solid white lights: full power charged

Tips: When the battery and unit is not being used, ensure that it is stored in a cool dry place and that the battery has 50% charge to keep the battery at good health.



Working Time:

Working time lasts about 40-45 min on MIN mode and about 15 min on MAX mode.

When only one battery indicator flashes, it means that the machine has no power and that it needs to be charged.

When the battery is fully charged, all white lights will be on and will turn off within one minute.

1. 1 white light blinking: Almost no power
2. 1 solid white light: 25% of power left
2. 2 solid white lights: 75% of power left
3. All solid white lights: Fully charged

3. Daily Maintenance/ Cleaning:

3.1 Dustbin, Filters and HEPA filter:

For optimum performance, wash the filter every 2 weeks with water. Otherwise, it may result in poor performance and loss of production. The filters need replacing every 4-6 months months.

How to open the Dustbin and remove the Hepa Filter and the Cyclone Frame:

Step 1. Push down on the Dustbin release button which is found on the dustbin cover and at the same time, lift the Dustbin away from the body of the Handheld Vacuum.

Step 2. Press down on the rose gold Dustbin Empty button tab located on transparent bin to open the Dustbin cover to empty all waste that was being stored.

Step 3. Rotate to open the Dustbin Cover as shown below.



Step 4. Take out the HEPA filter first, then lift up the cyclone frame (Image 1). See (Image 2), the plane side of the cyclone frame should be on the same side of the filter frame - that has icons of “lock” and “unlock” like the image shown below. The line on the cyclone frame should match the “unlock” icon on the top of the filter frame.



Step 5. Wash the filter frame, sponge HEPA filter and the Dustbin, with room temperature water. Massage all 3 attachments gently with your hands under room temperature water.

3. Daily Maintenance/ Cleaning:

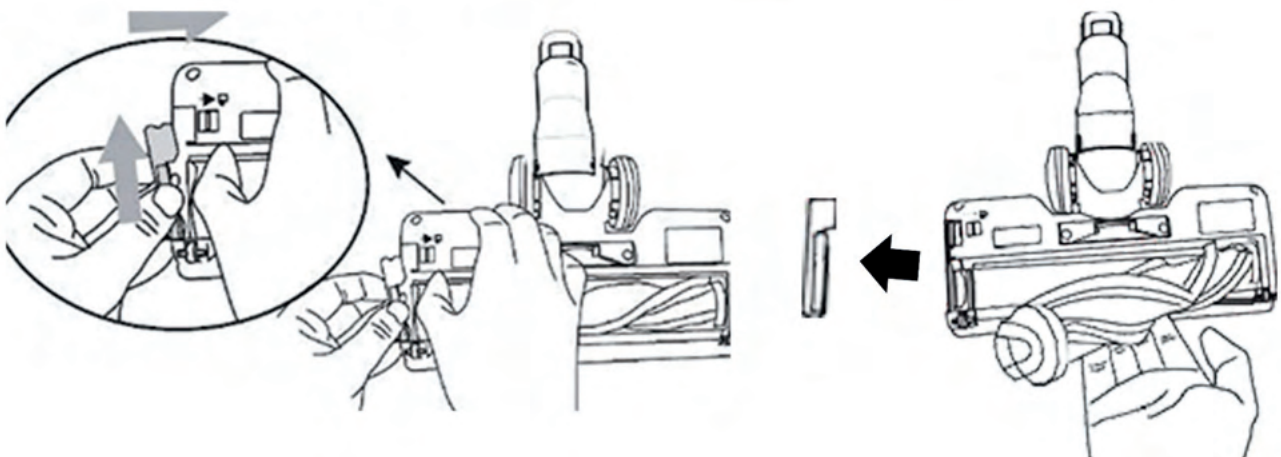
3.1 Dustbin, Filters and HEPA filter:

Step 6. Dry the HEPA filter and sponge filter frame completely before putting them back in the Dustbin. The dustbin and filter frame should be air-dried completely before reinstalling. When completely dry, assemble the filter to the cyclone frame.



3.2 Maintaining the Powerful Motorized Brush

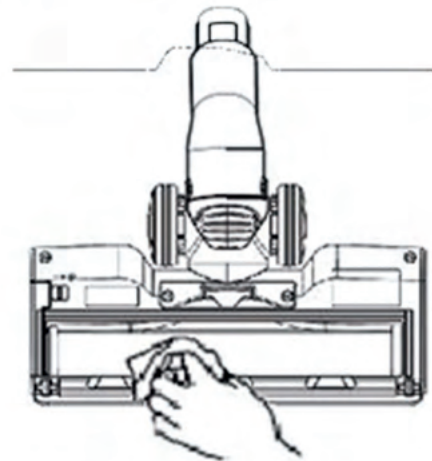
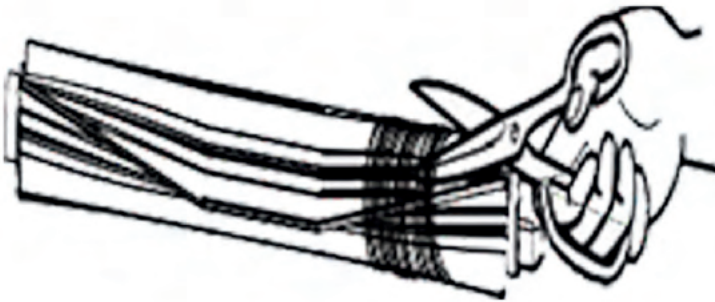
Step 1. Remove the Power Motorized Brush from the chrome pole and turn the head around with the flat side facing you. On the bottom right corner, push the red tab to the left and lift the brush latch on the right and remove the brush frame from the brush window. Please see the below image.



3. Daily Maintenance/ Cleaning:

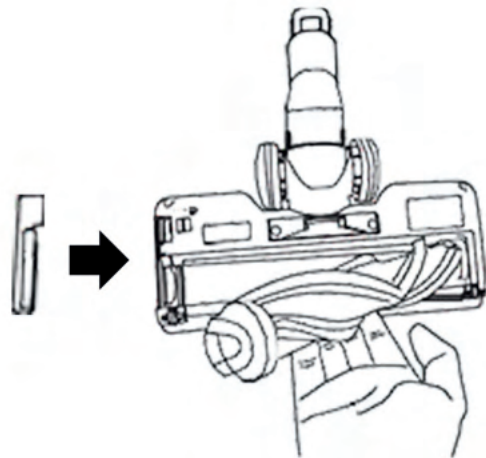
3.2 Maintaining the Powerful Motorized Brush

Step 2. Remove the hair and debris wrapped around the roller brush with scissors and gently clean the transparent brush window with a dry cloth.



Step 3. After you have finished the cleaning process, insert the rolling brush back into the LED the Multi-function Power Brush window. On each side of the roller brush you will see 2x holes with shapes moulded, side 1 will show a hole with a star and side 2 will show a U shape. When inserting the roller brush you will need to align side 1 (star shape) with the right hand side Multi-function Power Brush window and side 2 (U shape) with the left hand side.

Once the roller brush is inserted, place and push down on the brush frame to lock into place.



4. Troubleshooting:

To reduce the risk of shock and unintended operation, turn power off and remove the battery pack before servicing.

Problem	Possible Cause	Possible Solution
Vacuum not picking up debris	<ol style="list-style-type: none"> 1. Dustbin is full 2. Filters clogged or dirty 3. Filters are out of service 	<ol style="list-style-type: none"> 1. Empty the dustbin 2. Clean the filters 3. Change the worn filters
Vacuum not picking up debris	<ol style="list-style-type: none"> 1. Roller Brush clogged by hair or fibres 	<ol style="list-style-type: none"> 1. Clean the roller brush (view steps on pg 11 on how to clean)
Poor Suction	<ol style="list-style-type: none"> 1. Dustbin not seated completely 2. Filters clogged or dirty 3. Dustbin not installed correctly 4. Low battery 5. Nozzle dirt passage is clogged 	<ol style="list-style-type: none"> 1. Reinstall the dustbin and ensure the lid is closed completely 2. Clean the filters 3. Reinstall the dustbin 4. Fully charge the battery 5. Disconnect nozzle to remove debris
Vacuum suddenly turns off on its own	<ol style="list-style-type: none"> 1. Dustbin is full 2. Filters clogged or dirty 3. Vacuum overheat 	<ol style="list-style-type: none"> 1. Empty the dustbin 2. Clean the filters 3. Let the vacuum cooldown and retry
Vacuum won't turn ON/OFF	<ol style="list-style-type: none"> 1. Low battery 2. Vacuum overheat 	<ol style="list-style-type: none"> 1. Fully charge the battery 2. Let vacuum cooldown and retry
Short running time	<ol style="list-style-type: none"> 1. Low power 2. Filters clogged or dirty 	<ol style="list-style-type: none"> 1. Fully charge the battery (view charging steps on pg 8) 2. Filters clogged or dirty

KLEVA®

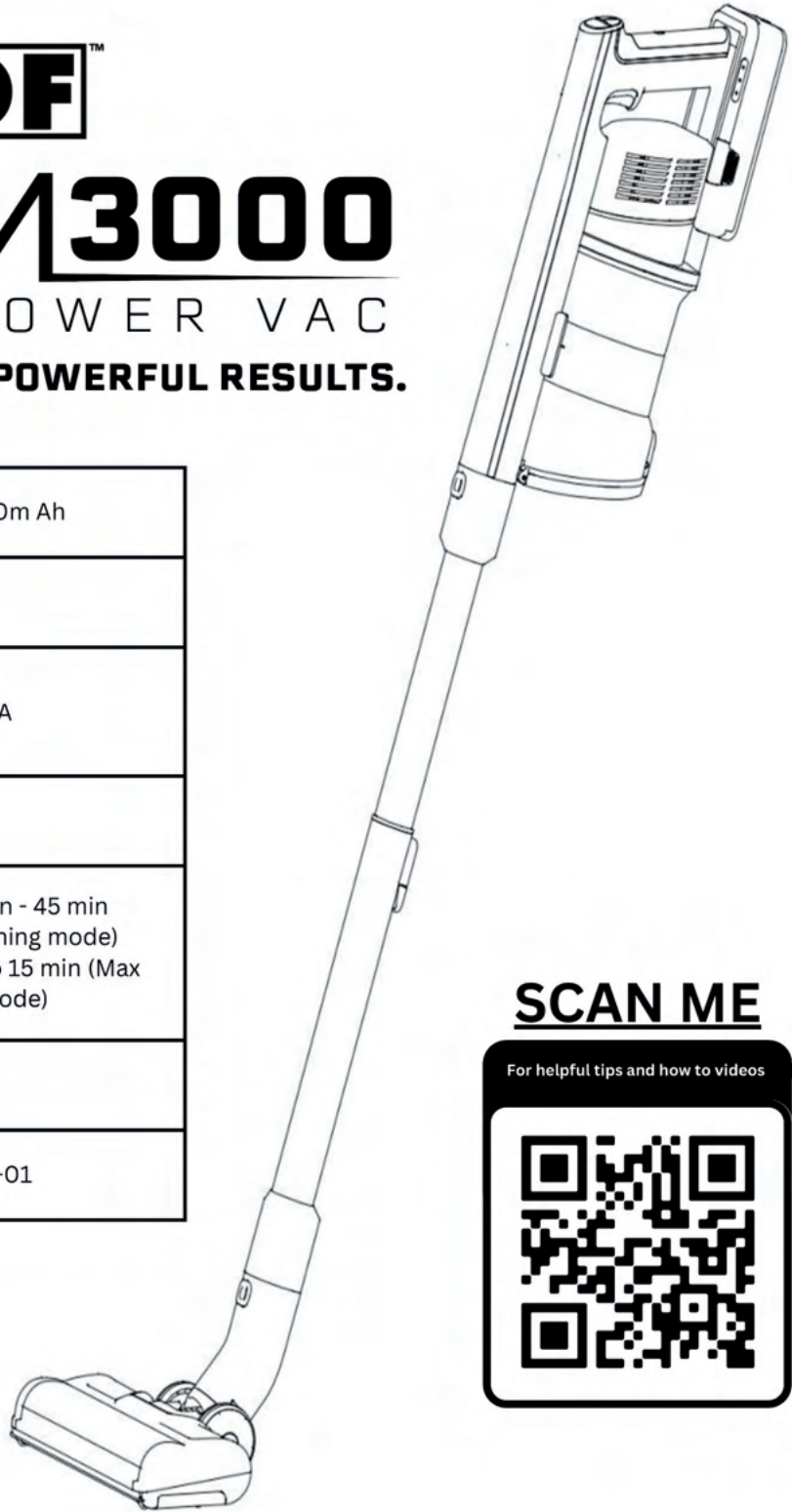
KKRAPOF™

SLIM3000

POWER VAC

EFFORTLESS CLEANING POWERFUL RESULTS.

Battery	29.6V/2200m Ah
Charging Period	4.5 hours
Battery Charger Output	35V/500mA
Net weight	2.5kg
Usage Time	MIN: 40 min - 45 min (Daily cleaning mode) MAX: Up to 15 min (Max cleaning mode)
Power	350w
Model Number	KSLIMVAC-01



SCAN ME

For helpful tips and how to videos



KLEVA RANGE®

🌐 www.klevarange.com.au

☎ 02 9387 4100

✉ enquiries@klevarange.com.au

📍 Suite 301 / 209 Oxford St

Bondi Junction NSW 2022 Australia

**GENUINE
KLEVA
QUALITY**



KleVA® is a registered trade mark
of Take Two Marketing and Events Pty Ltd.